

BOARD TO BOARD BOTTOM ENTRY CONECT.



3972 SERIES. 3.96 mm (0.156") pitch.

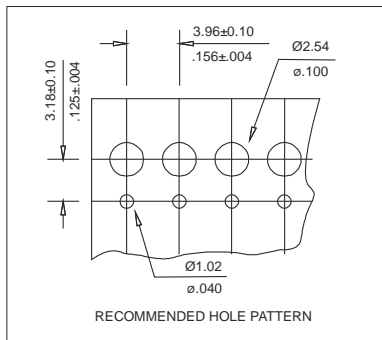
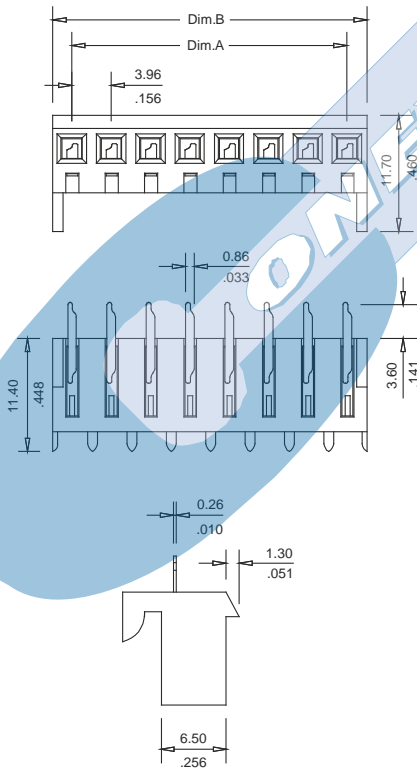
General Features

- Available in 2 circuits through 25 circuits
- Mates with 3.96 mm pin header 1.14 mm square/round pin 3986, 3987, 3988, 3917, 3918, 3919 and 3920 Series
- Flex contact PCB female terminal

Materials

- Insulator: Nylon 66 UL 94 V-2
- Contact: Tin plated brass
- Operating temperature: -25°C to +125°C
- RoHS compliant

Dimension Information

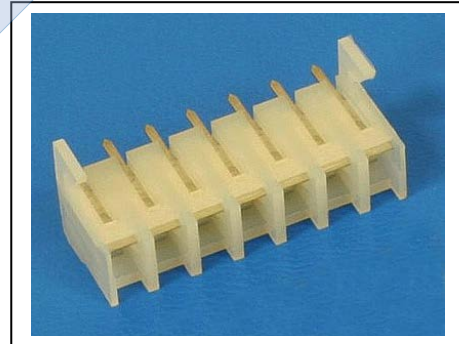


Electrical Features

- Voltage rating: < 250V
- Current rating: < 5 A
- Contact resistance: < 20 mΩ
- Dielectric withstanding voltage: 1500 V AC/minute
- Insulation resistance: >1000 MΩ

Mechanical Features

- Contact retention force to insulator: > 1.00 Kgf
- Insertion force to header: < 1.00 Kgf/pin
- Withdrawal force from header: < 0.15 Kgf/pin
- Durability: 25 cycles



Ordering Information:

3972 - 2- XX 1 1
 1 2 3

1. Connector Series

2. (T) Contact Plating

- T = 2. Tin plated
 Recommended Finish

3. (XX) Number of circuits

- Available in 2 through 25 circuits

Dimensions: (In mm.)

A = 3.96 x (XX*-1)
 B = 3.96 x (XX)-0.06

* XX (Number of circuits)