


Helping Customers Innovate, Improve & Grow



## Description

Vectron's VC-801 Crystal Oscillator (XO) is a quartz stabilized square wave generator with a CMOS output. The VC-801 uses fundamental or 3rd overtone crystals resulting in very low jitter performance, and a monolithic IC which improves reliability and reduces cost.

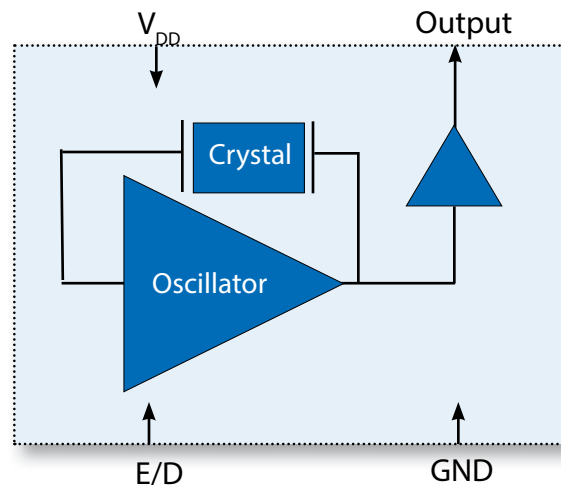
### Features

- CMOS output XO
- Output Frequencies from 32.768kHz to 125.000MHz
- 5.0, 3.3, 2.5 or 1.8 V Operation
- Low Jitter Performance
- Output Disable Feature
- $\pm 20$ ppm Frequency Stability Available
- Operating Temperature ranging from  $-55^{\circ}\text{C}$  to  $+125^{\circ}\text{C}$
- Small Industry Standard Package, 5.0 x 3.2 x 1.3 mm
- Product is compliant to RoHS directive  and fully compatible with lead free assembly

### Applications

- SONET/SDH/DWDM
- Ethernet, GE, SynchE
- Storage Area Networking
- Fiber Channel
- Digital Video
- Broadband Access
- Base Stations, Picocells

## Block Diagram

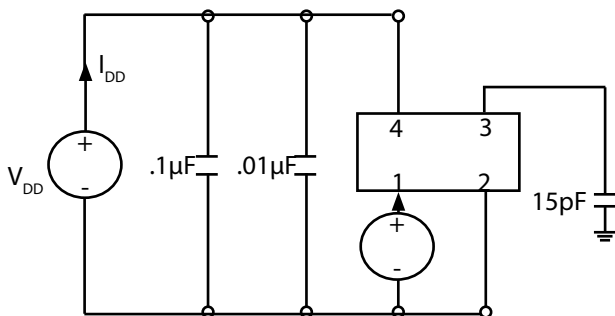


# Specifications

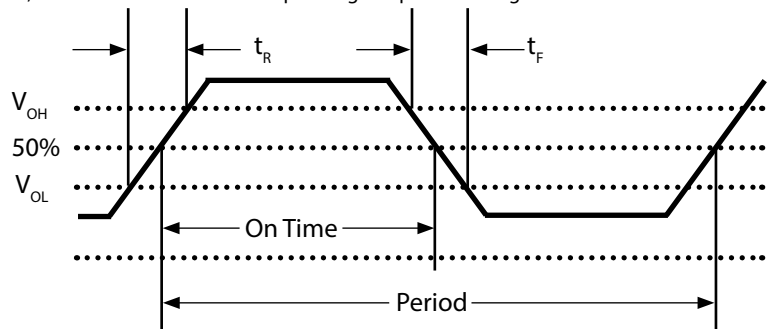
**Table 1. Electrical Performance, 5V Option**

Parameter	Symbol	Min	Typical	Max	Units
<b>Supply Voltage</b>					
Voltage <sup>1</sup>	$V_{DD}$	4.5	5.0	5.5	V
Max Voltage		-0.7		7	V
Current <sup>2</sup> ≤20.000MHz 20.001 to 50.000MHz 50.001 to 75.000MHz	$I_{DD}$			10 30 40	mA mA mA
Current, Output Disabled				30	uA
<b>Frequency</b>					
Nominal Frequency <sup>3</sup>	$f_N$	1.544		75.000	MHz
Stability <sup>4,8</sup> (Ordering Option)		±20, ±25, ±32, ±50, ±100			ppm
<b>Output</b>					
Output Logic Levels <sup>2</sup> Output Logic High Output Logic Low Output Logic High Drive Output Logic Low Drive	$V_{OH}$ $V_{OL}$ $I_{OH}$ $I_{OL}$	0.9* $V_{DD}$  16 16		0.1* $V_{DD}$	V V mA mA
Load				15	pF
Output Rise /Fall Time <sup>2</sup> <20.000MHz 20.000 to 50.000MHz 50.001 to 75.000MHz	$t_R/t_F$			8 5 2	ns ns ns
Output Leakage, Output Disabled	$I_Z$			±10	uA
Duty Cycle <sup>2,5</sup>		45	50	55	%
Period Jitter <sup>6</sup> RMS Peak-Peak	$\phi_J$		3.0 21		ps ps
RMS Jitter, 12kHz-20MHz	$\phi_J$		0.5	1	ps
<b>Enable/Disable</b>					
Output Enable/Disable <sup>7</sup> Output Enable Output Disable	$V_{IH}$ $V_{IL}$	4.0		0.8	V V
Disable time	$t_D$			100	ns
Enable Internal Pull-Up Resistor			100		Kohm
Start-Up Time	$t_{SU}$			8	ms
Operating Temp (Ordering Option)	$T_{OP}$	-10/70, -20/70, -40/85, -40/105, -40/125, -55/105, -55/125			°C

- 1) The power supply should have by-pass capacitors as close to the supply and to ground as possible, for example 0.1 and 0.01uF.
- 2) Parameters are tested with the test circuit shown in Fig 1.
- 3) See Standard Frequencies and Ordering Information tables for more specific information.
- 4) Includes initial accuracy, operating temperature, supply voltage, shock and vibration (not under operation) and aging for ±50 and ±100ppm options.
- 5) Duty Cycle is measured as On Time/Period, see Fig 2.
- 6) Broadband Period Jitter measured using Wavecrest SIA3300C, 90K samples, see Application Note for Typical Phase Noise and Jitter Performance.
- 7) The Output is Enabled if the Enable/Disable is left open.
- 8) Only ±50 and ±100 stability option available for -40/105 °C, -40/125 °C, -55/105 °C and -55/125 °C Operating temperature range.



**Fig 1: Test Circuit**



**Fig 2: Waveform**

# Specifications

**Table 2. Electrical Performance, 3.3V Option**

Parameter	Symbol	Min	Typical	Max	Units
<b>Supply Voltage</b>					
Voltage <sup>1</sup>	$V_{DD}$	2.97	3.30	3.63	V
Max Voltage		-0.5		5.0	V
Current <sup>2</sup> 32.768kHz to 1.499MHz 1.500 to 20.000 MHz 20.001 to 50.000MHz 50.001 to 100.000MHz 100.001 to 125.000MHz	$I_{DD}$			5 7 20 30 40	mA mA mA mA mA
Current, Output Disabled				30	uA
<b>Frequency</b>					
Nominal Frequency <sup>3</sup>	$f_N$	0.032		125.000	MHz
Stability <sup>4,8</sup> (Ordering Option)		±20, ±25, ±32, ±50, ±100			ppm
<b>Output</b>					
Output Logic Levels <sup>2</sup> Output Logic High Output Logic Low Output Logic High Drive Output Logic Low Drive	$V_{OH}$ $V_{OL}$ $I_{OH}$ $I_{OL}$	0.9* $V_{DD}$  8 8		0.1* $V_{DD}$	V V mA mA
Load				15	pF
Output Rise /Fall Time <sup>2</sup> 32.768kHz to 345.6kHz 345.6kHz to 20.000MHz 20.001 to 50.000MHz 50.001 to 75.000MHz 75.001 to 125.000MHz	$t_R/t_F$			200 6 4 3 2	ns ns ns ns ns
Output Leakage, Output Disabled	$I_z$			±10	uA
Duty Cycle <sup>2,5</sup>		45	50	55	%
Period Jitter <sup>6</sup> RMS Peak-Peak	$\phi_J$		3.0 21		ps ps
RMS Jitter, 12kHz-20MHz	$\phi_J$		0.5	1	ps
<b>Enable/Disable</b>					
Output Enable/Disable <sup>7</sup> Output Enable Output Disable	$V_{IH}$ $V_{IL}$	2.0		0.5	V V
Disable time	$t_D$			100	ns
Enable Internal Pull-Up Resistor			100		Kohm
Start-Up Time	$t_{SU}$			8	ms
Operating Temp (Ordering Option)	$T_{OP}$	-10/70, -20/70, -40/85, -40/105, -40/125, -55/105, -55/125			°C

- 1] The power supply should have by-pass capacitors as close to the supply and to ground as possible, for example 0.1 and 0.01uF.
- 2] Parameters are tested with the test circuit shown in Fig 1.
- 3] See Standard Frequencies and Ordering Information tables for more specific information.
- 4] Includes initial accuracy, operating temperature, supply voltage, shock and vibration (not under operation) and aging for ±50 and ±100ppm options.
- 5] Duty Cycle is measured as On Time/Period, see Fig 2.
- 6] Broadband Period Jitter measured using Wavecrest SIA3300C, 90K samples, see Application Note for Typical Phase Noise and Jitter Performance.
- 7] The Output is Enabled if the Enable/Disable is left open.
- 8] Only ±50 and ±100 stability option available for -40/105 °C, -40/125 °C, -55/105 °C and -55/125 °C Operating temperature range.

# Specifications

**Table 3. Electrical Performance, 2.5V Option**

Parameter	Symbol	Min	Typical	Max	Units
<b>Supply Voltage</b>					
Voltage <sup>1</sup>	V <sub>DD</sub>	2.25	2.50	2.75	V
Max Voltage		-0.5		5.0	V
Current <sup>2</sup> 32.768kHz to 1.499MHz 1.500 to 20.000 MHz 20.001 to 50.000MHz 50.001 to 75.000MHz 75.001 to 100.000MHz 100.001 to 125.000MHz	I <sub>DD</sub>			5 7 15 20 25 30	mA mA mA mA mA mA
Current, Output Disabled				30	uA
<b>Frequency</b>					
Nominal Frequency <sup>3</sup>	f <sub>N</sub>	0.032		125.000	MHz
Stability <sup>4,9</sup> (Ordering Option)		±20, ±25, ±32, ±50, ±100			ppm
<b>Output</b>					
Output Logic Levels <sup>2</sup> Output Logic High Output Logic Low Output Logic High Drive Output Logic Low Drive Output Logic High Drive <sup>8</sup> Output Logic Low Drive <sup>8</sup>	V <sub>OH</sub> V <sub>OL</sub> I <sub>OH</sub> I <sub>OL</sub> I <sub>OH</sub> I <sub>OL</sub>	0.9*V <sub>DD</sub>  4 4 8 8		0.1*V <sub>DD</sub>	V V mA mA mA mA
Load	I <sub>OUT</sub>			15	pF
Output Rise /Fall Time <sup>2</sup> 32.768kHz to 345.6kHz 345.6kHz to 20.000MHz 20.001 to 50.000MHz 50.001 to 75.000MHz 75.001 to 125.000MHz	t <sub>R</sub> /t <sub>F</sub>			200 6 5 3 2	ns ns ns ns ns
Output Leakage, Output Disabled	I <sub>Z</sub>			±10	uA
Duty Cycle <sup>2,5</sup>		45	50	55	%
Period Jitter <sup>6</sup> RMS Peak-Peak	φ <sub>J</sub>		3.0 21		ps ps
RMS Jitter, 12kHz-20MHz	φ <sub>J</sub>		0.5	1	ps
<b>Enable/Disable</b>					
Output Enable/Disable <sup>7</sup> Output Enable Output Disable	V <sub>IH</sub> V <sub>IL</sub>	1.75		0.5	V V
Disable time	t <sub>D</sub>			100	ns
Enable Internal Pull-Up Resistor			100		Kohm
Start-Up Time	t <sub>SU</sub>			8	ms
Operating Temp (Ordering Option)	T <sub>OP</sub>	-10/70, -20/70, -40/85, -40/105, -40/125, -55/105, -55/125			°C

- 1] The power supply should have by-pass capacitors as close to the supply and to ground as possible, for example 0.1 and 0.01uF.
- 2] Parameters are tested with the test circuit shown in Fig 1.
- 3] See Standard Frequencies and Ordering Information tables for more specific information.
- 4] Includes initial accuracy, operating temperature, supply voltage, shock and vibration (not under operation) and aging for ±50 and ±100ppm options.
- 5] Duty Cycle is measured as On Time/Period, see Fig 2.
- 6] Broadband Period Jitter measured using Wavecrest SIA3300C, 90K samples, see Application Note for Typical Phase Noise and Jitter Performance.
- 7] The Output is Enabled if the Enable/Disable is left open.
- 8] For 3rd overtone crystal designs.
- 9] Only ±50 and ±100 stability option available for -40/105 °C, -40/125 °C, -55/105 °C and -55/125 °C Operating temperature range.

**Table 4. Electrical Performance, 1.8V Option**

Parameter	Symbol	Min	Typical	Max	Units
<b>Supply Voltage</b>					
Voltage <sup>1</sup>	$V_{DD}$	1.71	1.80	1.89	V
Max Voltage		-0.5		3.6	V
Current <sup>2</sup> 1.544 to 20.000 MHz 20.001 to 70.000MHz 70.001 to 100.000MHz 100.001 to 125.000MHz	$I_{DD}$			5 15 20 25	mA mA mA mA
Current, Output Disabled				30	uA
<b>Frequency</b>					
Nominal Frequency <sup>3</sup>	$f_N$	1.544		125.000	MHz
Stability <sup>4,9</sup> (Ordering Option)		$\pm 20, \pm 25, \pm 32, \pm 50, \pm 100$			ppm
<b>Output</b>					
Output Logic Levels <sup>2</sup> Output Logic High Output Logic Low Output Logic High Drive Output Logic Low Drive Output Logic High Drive <sup>8</sup> Output Logic Low Drive <sup>8</sup>	$V_{OH}$ $V_{OL}$ $I_{OH}$ $I_{OL}$ $I_{OH}$ $I_{OL}$	$0.9 * V_{DD}$  2.8 2.8 8 8		$0.1 * V_{DD}$	V V mA mA mA mA
Load				15	pF
Output Rise /Fall Time <sup>2</sup> 1.544 to 20.000MHz 20.001 to 50.000MHz 50.001 to 125.000MHz	$t_R/t_F$			6 5 3	ns ns ns
Output Leakage, Output Disabled	$I_Z$			$\pm 10$	uA
Duty Cycle <sup>2,5</sup>		45	50	55	%
Period Jitter <sup>6</sup> RMS Peak-Peak	$\phi J$		3.0 21		ps ps
RMS Jitter, 12kHz-20MHz	$\phi J$		0.5	1	ps
<b>Enable/Disable</b>					
Output Enable/Disable <sup>7</sup> Output Enable Output Disable	$V_{IH}$ $V_{IL}$	1.26		0.5	V V
Disable time	$t_D$			100	ns
Enable Internal Pull-Up Resistor			1		Mohm
Start-Up Time	$t_{SU}$			8	ms
Operating Temp (Ordering Option)	$T_{OP}$	-10/70, -20/70, -40/85, -40/105, -40/125, -55/105, -55/125			°C

1] The power supply should have by-pass capacitors as close to the supply and to ground as possible, for example 0.1 and 0.01uF.

2] Parameters are tested with the test circuit shown in Fig 1.

3] See Standard Frequencies and Ordering Information tables for more specific information.

4] Includes initial accuracy, operating temperature, supply voltage, shock and vibration (not under operation) and aging for  $\pm 50$  and  $\pm 100$ ppm options.

5] Duty Cycle is measured as On Time/Period, see Fig 2.

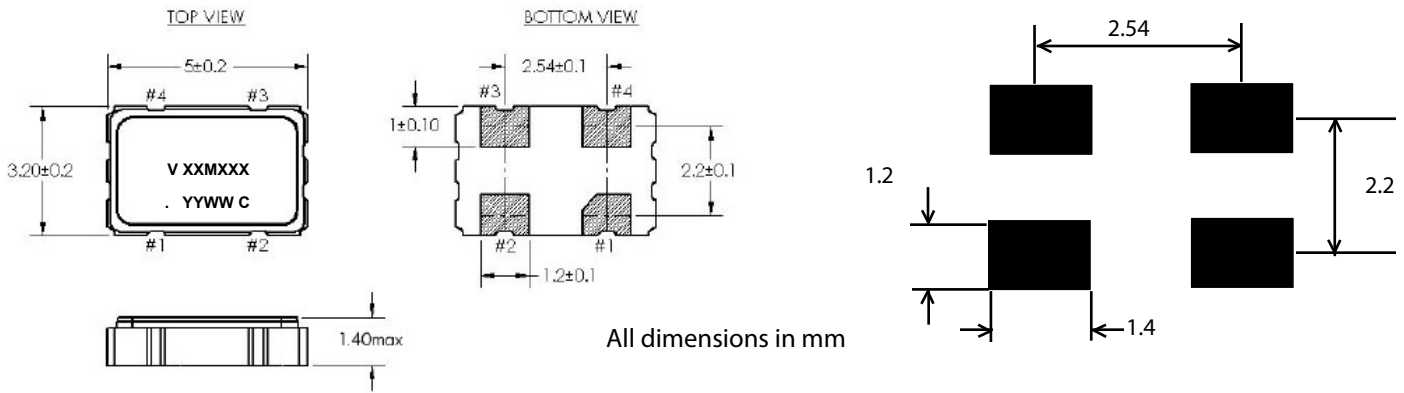
6] Broadband Period Jitter measured using Wavecrest SIA3300C, 90K samples, see Application Note for Typical Phase Noise and Jitter Performance.

7] The Output is Enabled if the Enable/Disable is left open.

8] For 3rd overtone crystal designs.

9] Only  $\pm 50$  and  $\pm 100$  stability option available for -40/105 °C, -40/125 °C, -55/105 °C and -55/125 °C Operating temperature range.

# Outline Drawing & Pad Layout



Pin	Symbol	Function
1	E/D	Enable Disable
2	GND	Case and Electrical Ground
3	Output	Output
4	V <sub>DD</sub>	Power Supply Voltage

E/D Pin	Output
High	Clock Output
Open	Clock Output
Low	High Impedance

## Reliability

Vecron qualification includes aging at various extreme temperatures, shock and vibration, temperature cycling, and IR reflow simulation. The VC-801 family is capable of meeting the following qualification tests:

Parameter	Conditions
Mechanical Shock	MIL-STD-883, Method 2002
Mechanical Vibration	MIL-STD-883, Method 2007
Solderability	MIL-STD-883, Method 2003
Gross and Fine Leak	MIL-STD-883, Method 1014
Resistance to Solvents	MIL-STD-883, Method 2015
Moisture Sensitivity Level	MSL 1
Contact Pads	Gold (0.3 um min 1.0 um max) over Nickel
Weight	62 mg

Although ESD protection circuitry has been designed into the VC-801 proper precautions should be taken when handling and mounting. Vecron employs a human body model (HBM) and a charged device model (CDM) for ESD susceptibility testing and design protection evaluation.

Model	Minimum	Conditions
Human Body Model	1500V	MIL-STD-883, Method 3015
Charged Device Model	1000V	JESD22-C101

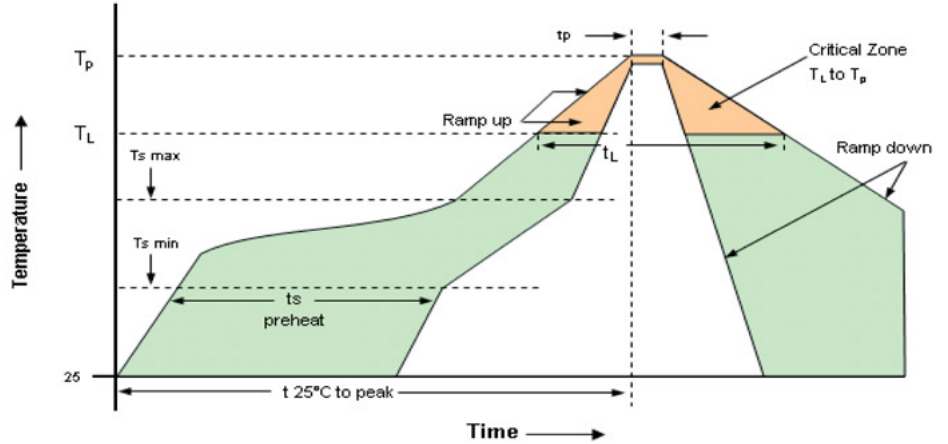
Stresses in excess of the absolute maximum ratings can permanently damage the device. Functional operation is not implied at these or any other conditions in excess of conditions represented in the operational sections of this datasheet. Exposure to absolute maximum ratings for extended periods may adversely affect device reliability. Permanent damage is also possible if E/D is applied before V<sub>DD</sub>.

Parameter	Symbol	Ratings	Unit
Storage Temperature	T <sub>S</sub>	-55 to 125	°C
Soldering Temp/Time	T <sub>LS</sub>	260 / 30	°C / sec

# IR Reflow

## Solderprofile:

The VC-801 is qualified to meet the JEDEC standard for Pb-Free assembly. The temperatures and time intervals listed are based on the Pb-Free small body requirements. The VC-801 device is hermetically sealed so an aqueous wash is not an issue.



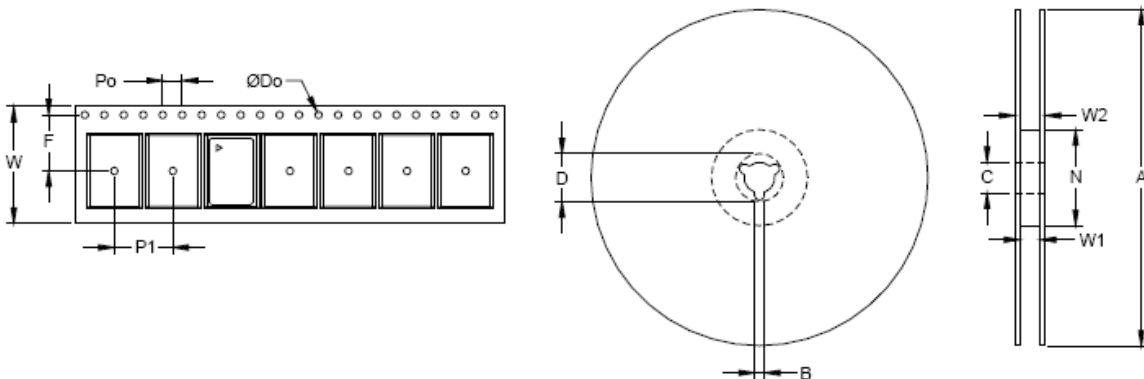
**Table 10. Reflow Profile**

Parameter	Symbol	Value
PreHeat Time Ts-min Ts-max	$t_s$	60 sec Min, 260 sec Max 150°C 200°C
Ramp Up	$R_{UP}$	3 °C/sec Max
Time Above 217 °C	$t_L$	60 sec Min, 150 sec Max
Time To Peak Temperature	$T_{AMB-P}$	480 sec Max
Time at 260 °C	$t_p$	30 sec Max
Ramp Down	$R_{DN}$	6 °C/sec Max

## Tape and Reel

**Table 6. Tape and Reel Information**

Tape Dimensions (mm)						Reel Dimensions (mm)							# Per Reel
Dimension	W	F	Do	Po	P1	A	B	C	D	N	W1	W2	
Tolerance	Typ	Typ	Typ	Typ	Typ	Typ	Min	Typ	Min	Min	Typ	Max	
VC-801	12	5.5	1.5	4	8	178	1.78	13	20.6	55	12.4	22.4	1000



**Table 12. Standard Output Frequencies (MHz)**

9.8304	10.000	11.0590	11.0596	11.2896	12.000	12.272	12.288
12.353	13.000	13.500	13.560	14.318	14.7456	16.000	16.376
16.384	16.777216	16.800	17.734	17.734475	18.432	19.440	19.660
19.800	20.000	20.480	22.000	22.5792	24.000	24.5453	24.576
25.000	26.000	27.000	27,120	28.686	28.375	30.000	32.000
32.768	33.000	33.333	34.368	36.000	37.056	47.500	40.000
42.500	44.000	44.736	48.000	48.090	50.000	54.000	60.000
62.500	66.000	66.666	75.000	80.000	100.000	125.000	

## Ordering Information

### VC-801- E A W- K A A N- xxMxxxxxxxXX

**Product**

Crystal Oscillator

**Package**

5x3.2 mm

**Power Supply**

D: +5.0Vdc  
 E: +3.3Vdc  
 H: +2.5Vdc  
 J: +1.8Vdc

**Output**

A: CMOS

**Temp Range**

W: -10/70°C  
 J: -20/70°C  
 E: -40/85°C  
 F: -40/105°C (±50 and ±100ppm)  
 7: -40/125°C (±50 and ±100ppm)  
 B: -55/105°C (±50 and ±100ppm)  
 C: -55/125°C (±50 and ±100ppm)

**Packaging**

TR: Tape and Reel  
 blank: Cut Tape / non Tape and Reel quantities  
 \_SNPB: Tin lead solder dipped

**Frequency**

M for MHz or  
 K for kHz (32.768 kHz is available)

**Custom Options**

N: Standard Option

**Load**

A: 15pF  
 B: 30pF  
 C: 50pF

**Enable/Disable**

A: Enable/Disable, Enable High

**Stability**

E: ±20ppm  
 F: ±25ppm  
 H: ±32ppm  
 K: ±50ppm  
 S: ±100ppm

*\*Note: not all combination of options are available. Other specifications may be available upon request. Please consult with factory.*

**Example:**

**VC-801-EAE-KAAN-25M000000TR**

**VC-801-EAE-KAAN-25M0000000**

**VC-801-EAE-KAAN-25M0000000\_SNPB**

**Tape and Reel**

**Cut Tape**

**Tin lead solder dipped**

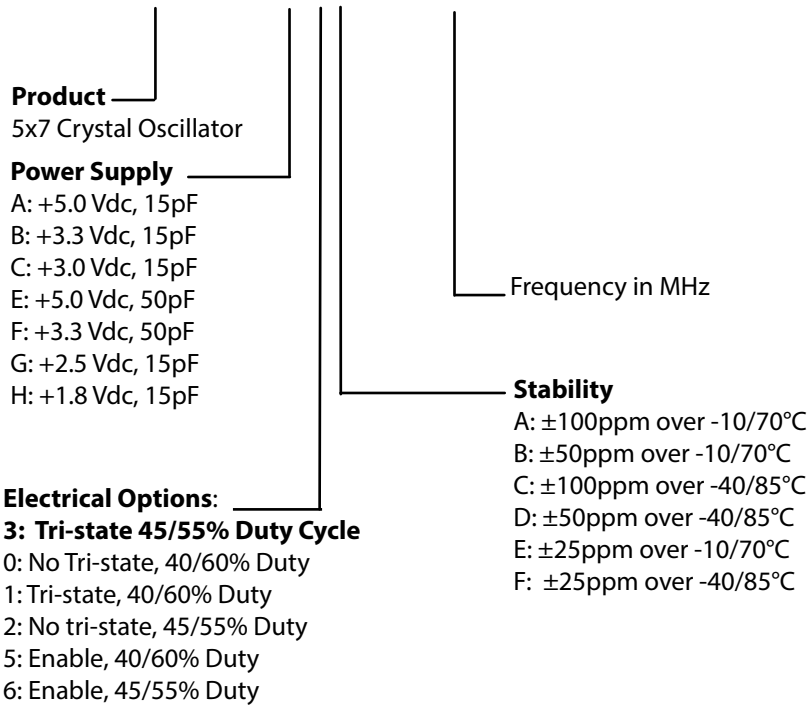


## Revision History

Revision Date	Approved	Description
October 17, 2014	VN	Modified package drawing to reflect 1.40mm maximum height. Added Revision History Table.
January 20, 2015	VN	Included ordering options for -40/105°C, -40/125°C and -55/105°C Operating temperature ranges
August 10, 2018	FB	Update logo and ordering information, Add SNPB DIP ordering information,
March 22, 2019	FB	Update logo, contact information, disclaimer, change SNPB DIP to SNPB, add weight and gold plating thickness.
April 30, 2020	FB	Add tape and reel ordering option, updates and corrections as needed

**Previous Ordering Information for Reference Only  
Do Not Use to Build a New Part Number**

### VCC4- B3B- xxMxxxxxxx



The ordering codes for the VCC4 were changed to VC-801 in 2016. If you had ordered a specific code based off this ordering method, it is still available for purchase under the old code however no new part numbers will be created using this system.

## Contact Information

### **USA:**

100 Watts Street  
Mt Holly Springs, PA 17065  
Tel: 1.717.486.3411  
Fax: 1.717.486.5920

### **Europe:**

Landstrasse  
74924 Neckarbischofsheim  
Germany  
Tel: +49 (0) 7268.801.0  
Fax: +49 (0) 7268.801.281



Information contained in this publication regarding device applications and the like is provided only for your convenience and may be superseded by updates. It is your responsibility to ensure that your application meets with your specifications. MICROCHIP MAKES NO REPRESENTATION OR WARRANTIES OF ANY KIND WHETHER EXPRESS OR IMPLIED, WRITTEN OR ORAL, STATUTORY OR OTHERWISE, RELATED TO THE INFORMATION INCLUDING, BUT NOT LIMITED TO ITS CONDITION, QUALITY, PERFORMANCE, MERCHANTABILITY OR FITNESS FOR PURPOSE. Microchip disclaims all liability arising from this information and its use. Use of Microchip devices in life support and/or safety applications is entirely at the buyer's risk, and the buyer agrees to defend, indemnify and hold harmless Microchip from any and all damages, claims, suits, or expenses resulting from such use. No licenses are conveyed, implicitly, or otherwise, under any Microchip intellectual property rights unless otherwise stated.

### **Trademarks**

The Microchip and Vectron names and logos are registered trademarks of Microchip Technology Incorporated in the U.S.A. and other countries.