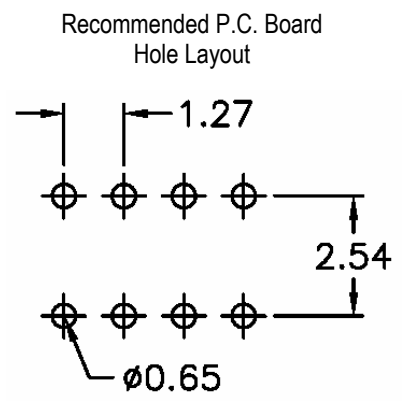
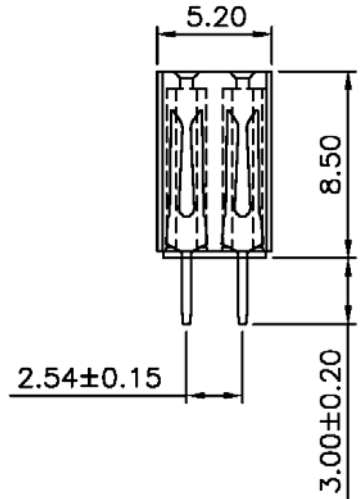
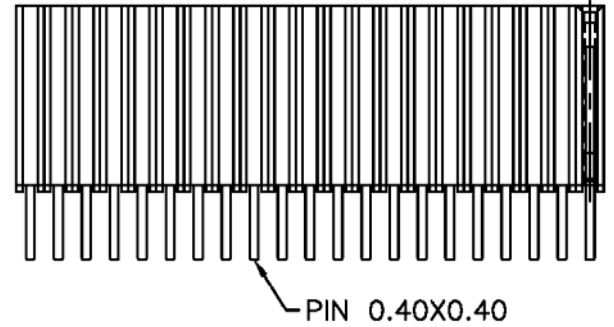


SPECIFICATIONS

Current rating: 1 amp
 Contact material: Phosphor bronze
 Contact resistance: 20 milliohms max.
 Insulation material: Polyester, UL94V-0, Nylon 6T
 Insulation resistance: 1,000 megohms min.
 Withstanding: 300VAC/VDC
 Operating temperature: -40°C to +105°C



Series	Rows	Profile	Positions	Tail Length	Plating
CRS	XX	HPC	XX	D	XX
Receptacle strip	02=Dual rows 01=Single row	HPC=8.5mm	04-70	D=3.0 (Custom available)	TN=Tin GD=Gold SG=Selective gold

RoHS compliant

Rev.	Description	Date	Approved	Drawing	Name	Date
				Approved	Howard	09/03/04
				Checked	Lizzy	09/03/04
				Drawn	Tina	09/03/04
				0.0 ± 0.35	0.00 ± 0.20	Angles ± 3'
					UNIT: mm	

Central Components Manufacturing
 440 Lincoln Blvd., Middlesex, New Jersey 08846
 Phone 732 469-5720 888 288-5152 Fax 732 469-1919

Part No.: **CRS-02-HPC-XX-D-XX**
 Description: Receptacle strip, 1.27*2.54 female, dual row, DIP type, base 8.50