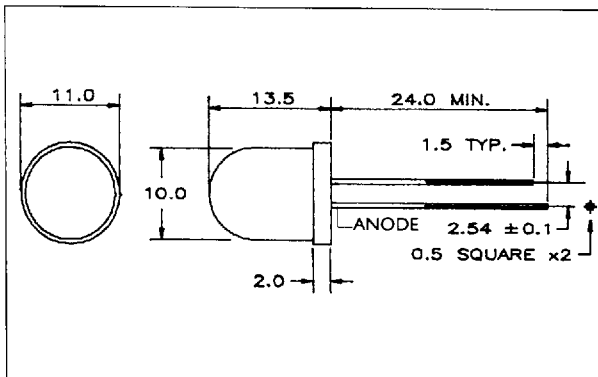


# Standard 10mm LED Lamps

## FEATURES

- Excellent on/off contrasts
- Solid state reliability
- Choice of color or white diffused lens
- Available in six colors/materials



Standard LEDs

## MAXIMUM RATINGS (Ta = 25°C)

PART NO.	FORWARD CURRENT (If) (mA)	REVERSE VOLTAGE (Vr) (V)	POWER DISSIPATION (Pr) (mW)	OPERATING TEMPERATURE (T <sub>op</sub> ) (°C)	STORAGE TEMPERATURE (T <sub>stg</sub> ) (°C)
MT1133-R	30	3.0	100	-25~+85	-25~+100
MT1133-RG	30	5.0	85	-25~+85	-25~+100
MT2133-G	30	5.0	85	-25~+85	-25~+100
MT3133-Y	30	5.0	85	-25~+85	-25~+100
MT4133-O	30	5.0	85	-25~+85	-25~+100
MT4133-HR	30	5.0	85	-25~+85	-25~+100
MT1233-R	30	3.0	100	-25~+85	-25~+100
MT1233-RG	30	5.0	85	-25~+85	-25~+100
MT2233-G	30	5.0	85	-25~+85	-25~+100
MT3233-Y	30	5.0	85	-25~+85	-25~+100
MT4233-HR	30	5.0	85	-25~+85	-25~+100

## OPTO-ELECTRICAL CHARACTERISTICS (Ta = 25°C)

PART NO.	MATERIAL	LENS COLOR	VIEWING ANGLE typ.	LUMINOUS INTENSITY (mcd)			FORWARD VOLTAGE (V)			REVERSE CURRENT		PEAK WAVE LENGTH
				min.	typ.	@mA	typ.	max.	@mA	µA	Vr	nm
MT1133-R	GaAsP	Red Diff	34°	0.8	2.0	20	1.7	2.0	20	100	3	655
MT1133-RG	GaP	Red Diff	34°	1.2	3.0	20	2.1	3.0	20	100	5	700
MT2133-G	GaP	Green Diff	34°	6.0	90.0	20	2.1	3.0	20	100	5	567
MT3133-Y	GaAsP/GaP	Yellow Diff	34°	4.8	90.0	20	2.1	3.0	20	100	5	585
MT4133-O	GaAsP/GaP	Orange Diff	34°	6.8	45.0	20	2.1	3.0	20	100	5	635
MT4133-HR	GaAsP/GaP	Red Diff	34°	6.8	45.0	20	2.1	3.0	20	100	5	635
MT1233-R	GaAsP	White Diff	34°	0.8	2.0	20	1.7	2.0	20	100	3	655
MT1233-RG	GaP	White Diff	34°	1.2	3.0	20	2.1	3.0	20	100	5	700
MT2233-G	GaP	White Diff	34°	6.0	90.0	20	2.1	3.0	20	100	5	567
MT3233-Y	GaAsP/GaP	White Diff	34°	4.8	90.0	20	2.1	3.0	20	100	5	585
MT4233-HR	GaAsP/GaP	White Diff	34°	6.8	45.0	20	2.1	3.0	20	100	5	635



**marktech**  
optoelectronics

5 Hemlock Street • Latham, New York 12110

Toll Free: (800) 98-4LEDS • Fax: (518) 786-6599

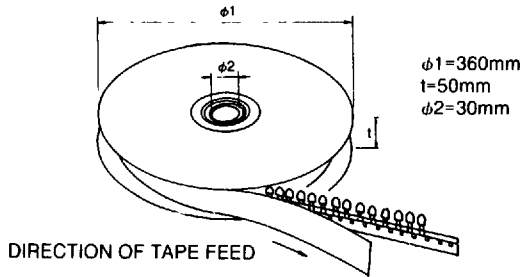
■ 5799655 0001515 8T6 ■

All specifications subject to change.

# APPLICATION NOTES

## [4] Packaging Reel Packaging

### a) Reel type



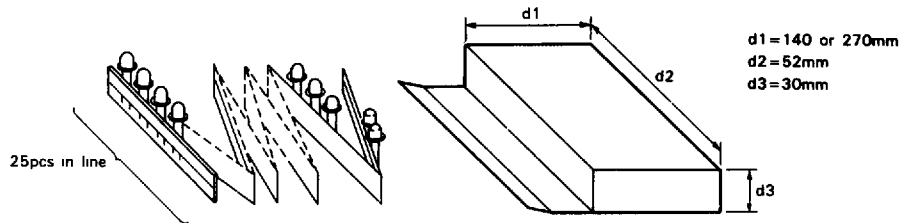
### Content

LED Type	Quantity/Reel
$\phi 3$ Series	2000 pcs
$\phi 5$ Series	1000 pcs

T-1 and T- 1 3/4 packages

\*Lamps with external shapes other than those above are also available. Please consult Marktech.

### b) Zigzag wound tape



At tape beginning and end, there is additional space for 4 pcs or more

### Content

LED Type	Quantity/Box
$\phi 3$ Series	2000 or 5000 pcs
$\phi 5$ Series	1000 or 2000 pcs