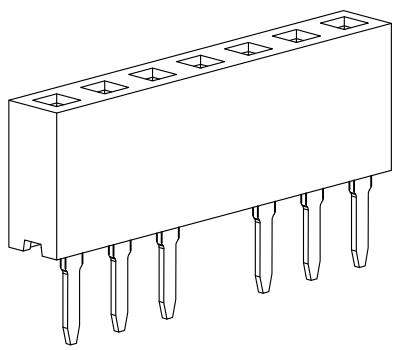
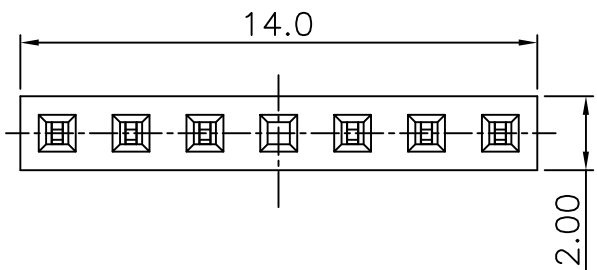


REV.	SPECIFICATION	ECN NO.	APPD.
R1			



Material:

Housing: High Temperature Plastic UL94V-0.
 Contacts: Copper Alloy.

Electrical Characteristics:

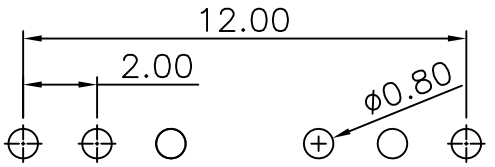
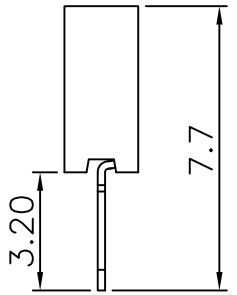
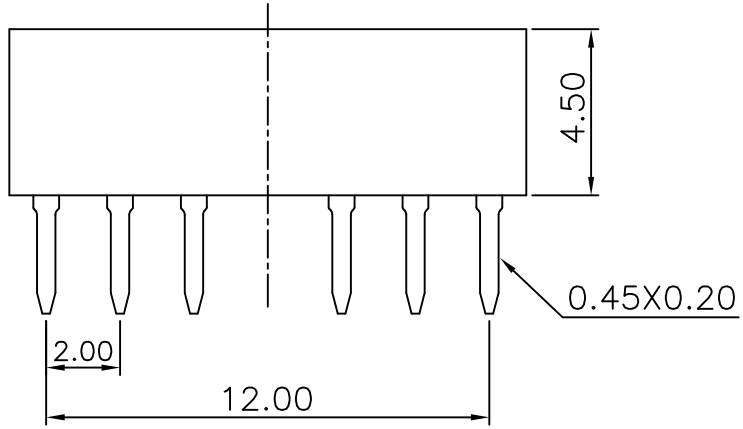
Current Rating: 1 AMP.
 Dielectric Withstanding Voltage: AC 500V For 1 Minute.
 Insulator Resistance: 1000MΩ min. at DC 500V.
 Contact Resistance: 20mΩ max. at DC 100mA.
 Operating Temperature: -55°C~+105°C .

***RoHS Compliant**

Insertion Depth: 2.30mm to 4.15mm.

Notes:

Pin 4 Without Contact.



P.C. Board Layout
 (Tolerance: ±0.05)

2141- 1 X 07 G xx S A -A003

Series | Single Row | No. of Pin Per Row | G: Gold Plated | 00: G/F | 10: 10μ" | 15: 15μ" | 30: 30μ" | Internal Code | A: Tray Package | B: Bulk Package | Straight

Tolerances	Dwg. No.	2141-D0000-005		Title:	
x = ±0.5	Projection	⊕ ◀		2141 Series P.C.B. Socket 2.0mmX2.0mm(0.079"X0.079")	
.x = ±0.25	Unit	mm	Scale		1:1
.xx = ±0.15	Drawn By	FHY12/15'08			

OUPIN			
OUPIN ELECTRONIC(KUNSHAN) CO., LTD.			
P/N: 2141-1X07GxxSA-A003			
SHEET	1/1	Ver.No.	R1