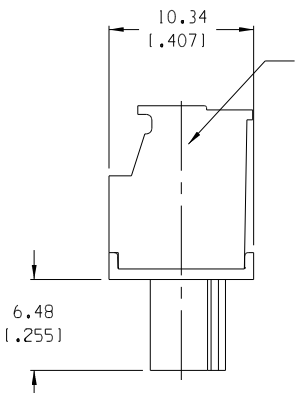
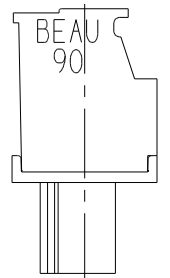
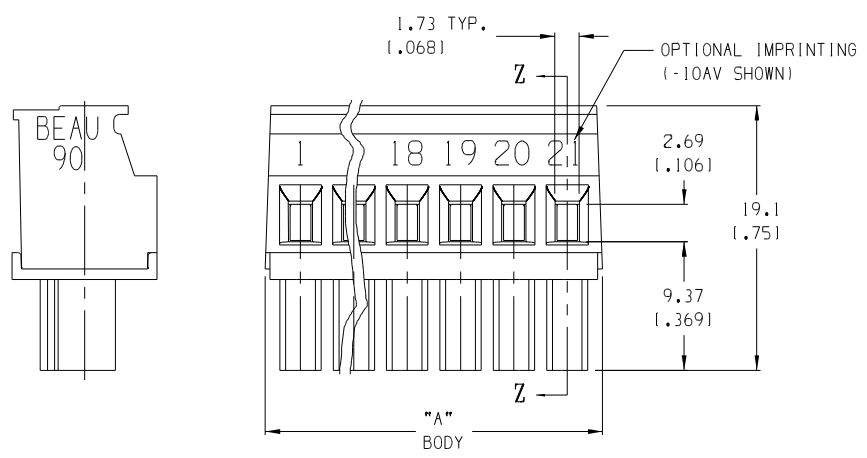


6 CIRCUIT SHOWN



LOGO'S AND NOMINCLATURE TO BE ADDED AT LATER DATE.

- NOTES:
1. MATERIAL: SEE TABLE
 2. FINISHES: SEE TABLE
 3. PRODUCT SPECIFICATION: NOT REQUIRED
 4. PACKAGING: NOT REQUIRED
 5. MATES WITH: 3.81 (0.150) HEADERS.
 6. "XX" REFERS TO THE QUANTITY OF CIRCUITS.

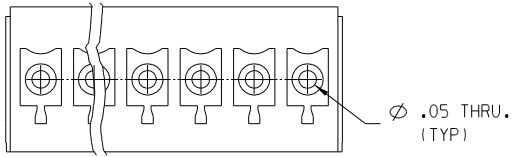
7	XX	SCREW, M2X0.4X5.2, CHSHD, SLOTTED, -G30 OPT.	PHOS. BRONZE	TIN PLATE
6	XX	SCREW, M2X0.4X5.2, CHSHD, SLOTTED, STANDARD	STEEL	ZN, CLEAR CHROMATE
5	XX	CLAMP, RISING	BRASS	NICKEL PLATE
4	XX	TERMINAL, VERT PLUG, -G30 OPT.	BERYLLIUM COPPER	GOLD PLATE
3	XX	TERMINAL, VERT PLUG	BERYLLIUM COPPER	TIN PLATE
2	1	BASE, SR VERT.	POLYESTER	BLACK
1	1	BODY, SR VERT.	POLYESTER	BLACK
ITEM	QTY.	DESCRIPTION	MATERIAL	FINISH

EC NO. RELEASED DRAWN: CH'K1 APPR:	MAJOR
	CRITICAL
REV	DESCRIPTION
A	

GENERAL TOLERANCES: (UNLESS SPECIFIED)		SCALE 3:1	DESIGN UNITS <input type="checkbox"/> mm <input checked="" type="checkbox"/> INCH	THIRD ANGLE PROJECTION	
4 PLACES	mm ±.0015 INCH ±.0015	DRAWN BY & DATE C. YORK 03-17-05		TITLE: VERTICAL PLUGGABLE SR BTS RWE ASSY. (3.81 (0.150) CENTERS)	
3 PLACES	mm ±.005 INCH ±.005	CHECKED BY & DATE		MOLEX INCORPORATED	
2 PLACES	mm ±.13 INCH ±.01	APPROVED BY & DATE			
1 PLACE	mm ±.3 INCH ±.01	CAD FILENAME 9008XX		MATERIAL NO. SEE CHART	
ANGULAR: ±2°		DRAWING NO. SD-39900-008		SHEET NO. 1 OF 2	
DRAFT WHERE APPLICABLE MUST REMAIN WITHIN DIMENSIONS		THIS DRAWING CONTAINS INFORMATION THAT IS PROPRIETARY TO MOLEX INCORPORATED AND SHOULD NOT BE USED WITHOUT WRITTEN PERMISSION.			SIZE B

PROJECT NO. -	-	-
DIMENSIONS:	SHT	REV
<input checked="" type="checkbox"/> mm <input type="checkbox"/> INCH		
<input type="checkbox"/> INCH <input type="checkbox"/> mm		
<input type="checkbox"/> mm ONLY		
	REVISE ON CAD ONLY	

NO. OF CIRC.	DIM. "A" <small>±0.25 ±0.010</small>	DIM. "B"	ASSEMBLY MATERIAL NO. (STANDARD)	ASSEMBLY MATERIAL NO. (-G30 OPT.)	ASSEMBLY MATERIAL NO. (-10AV OPT.)
02	8.81 (1.347)	3.81 (1.150)	399000202	399010202	399020202
03	12.62 (1.497)	7.62 (1.300)	399000203	399010203	399020203
04	16.43 (1.647)	11.43 (1.450)	399000204	399010204	399020204
05	20.24 (1.797)	15.24 (1.600)	399000205	399010205	399020205
06	24.05 (1.947)	19.05 (1.750)	399000206	399010206	399020206
07	27.86 (1.097)	22.86 (1.900)	399000207	399010207	399020207
08	31.67 (1.247)	26.67 (1.050)	399000208	399010208	399020208
09	35.48 (1.397)	30.48 (1.200)	399000209	399010209	399020209
10	39.29 (1.547)	34.29 (1.350)	399000210	399010210	399020210
11	43.10 (1.697)	38.10 (1.500)	399000211	399010211	399020211
12	46.91 (1.847)	41.91 (1.650)	399000212	399010212	399020212
13	50.72 (1.997)	45.72 (1.800)	399000213	399010213	399020213
14	54.53 (2.147)	49.53 (1.950)	399000214	399010214	399020214
15	58.34 (2.297)	53.34 (2.100)	399000215	399010215	399020215
16	62.15 (2.447)	57.15 (2.250)	399000216	399010216	399020216
17	65.96 (2.597)	60.96 (2.400)	399000217	399010217	399020217
18	69.77 (2.747)	64.77 (2.550)	399000218	399010218	399020218
19	73.58 (2.897)	68.58 (2.700)	399000219	399010219	399020219
20	77.39 (3.047)	72.39 (2.850)	399000220	399010220	399020220
21	81.20 (3.197)	76.20 (3.000)	399000221	399010221	399020221



REF. BOTTOM VIEW

EC NO. SEE SHEET 1 DRAWN: CH:K: APPR: REV:	QUALITY SYMBOLS MAJOR : CRITICAL : SPC : S :	GENERAL TOLERANCES: (UNLESS SPECIFIED) <table border="1"> <tr> <th></th> <th>mm</th> <th>INCH</th> </tr> <tr> <td>4 PLACES</td> <td></td> <td>±.0015</td> </tr> <tr> <td>3 PLACES</td> <td>±.038</td> <td>±.005</td> </tr> <tr> <td>2 PLACES</td> <td>±.13</td> <td>±.01</td> </tr> <tr> <td>1 PLACE</td> <td>±.3</td> <td></td> </tr> </table>		mm	INCH	4 PLACES		±.0015	3 PLACES	±.038	±.005	2 PLACES	±.13	±.01	1 PLACE	±.3		SCALE 3:1 DESIGN UNITS <input type="checkbox"/> mm <input checked="" type="checkbox"/> INCH THIRDS ANGLE PROJECTION <input checked="" type="checkbox"/> mm <input type="checkbox"/> INCH <input type="checkbox"/> mm <input type="checkbox"/> ONLY	DRAWN BY & DATE C. YORK 03-17-05 CHECKED BY & DATE APPROVED BY & DATE	PROJECT NO. - DIMENSIONS: SHT REV REVISE ON CAD ONLY
		mm	INCH																	
	4 PLACES		±.0015																	
	3 PLACES	±.038	±.005																	
2 PLACES	±.13	±.01																		
1 PLACE	±.3																			
TITLE: VERTICAL PLUGGABLE SR BTS RWE ASSY. (3.81 (1.150) CENTERS)		CAD FILENAME 9008XX		MATERIAL NO. SEE CHART	DRAWING NO. SD-39900-008															
DRAFT WHERE APPLICABLE MUST REMAIN WITHIN DIMENSIONS		ANGULAR: ±2°		SHEET NO. 2 OF 2	SIZE B															
THIS DRAWING CONTAINS INFORMATION THAT IS PROPRIETARY TO MOLEX INCORPORATED AND SHOULD NOT BE USED WITHOUT WRITTEN PERMISSION.																				