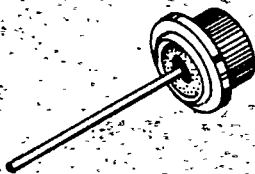


HIGH CURRENT PRESS FIT SILICON RECTIFIERS



T-01-19



FEATURES

- Low Cost
- Silicon Diffused Junction
- Low Leakage
- High Current Capability: 30 Amperes at $T_c = 150^\circ\text{C}$
- High Surge Current: 400 Amperes at $T_j = 175^\circ\text{C}$
- Maximum-Reverse Current: Available from 1.0 to .010 mA

MECHANICAL DATA

Case: All copper case and components hermetically sealed

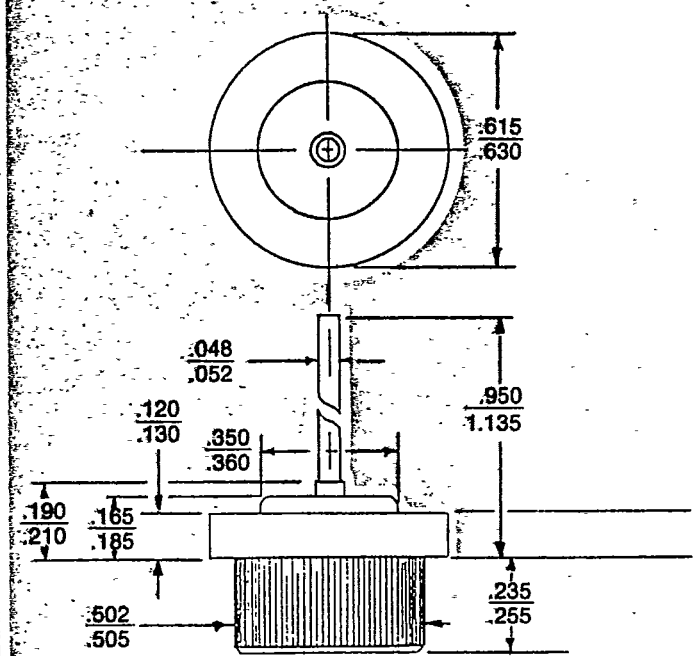
Seal: Glass.

Polarity: Zero at end of part number designates cathode connected to case. For Reverse Polarity change 0 to "one" (Example: 202530-202531). Case polarity color-coded: Red equals standard, Black equals reverse polarity.

Mounting Position: Any

Maximum soldering temperature: $250^\circ\text{C}/10$ seconds

VOLTAGE RANGE
50 to 400 Volts PRV
CURRENT
30.0 Amperes at $T_c 150^\circ\text{C}$



MAXIMUM RATINGS AND ELECTRICAL CHARACTERISTICS

Ratings at 25°C ambient temperature unless otherwise specified.
Single phase, half wave, 60 Hz, resistive or inductive load

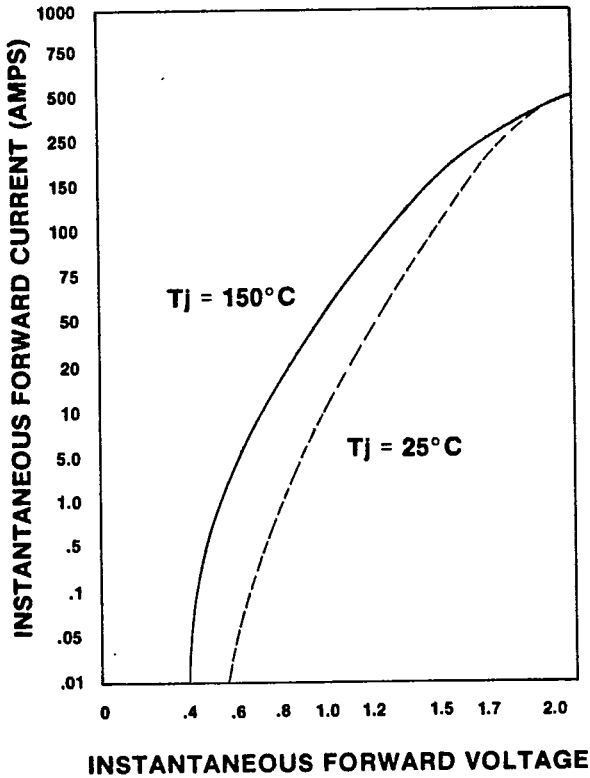
	203040 = 1 mA	213040 = 1mA	223040 = 1mA	243040 = 1mA	
	203070 = 100 μA	213070 = 100 μA	223070 = 100 μA	243070 = 100 μA	
	203080 = 10 μA	213080 = 10 μA	223080 = 10 μA	243080 = 10 μA	
					UNITS
Peak Reverse Voltage, Repetitive: V_{RRM}	50	100	200	400	Vpk
Maximum RMS Voltage	35	70	140	280	VRMS
DC Reverse Voltage, V_R	50	100	200	400	Vdc
Average Forward Current, I_o at $T_c = 150^\circ\text{C}$ 60 Hz, resistive or inductive load	30				Adc
Peak Forward Surge Current, I_{FM} (surge): 8.3 ms. single half sine-wave superimposed on rated load (JEDEC method)	400				Apk
Max. Inst Forward Voltage, V_f at 78.5 Amp	1.18				Vdc
Maximum Reverse Current, I_R at Rated DC Reverse Voltage	Available from 1.000 to .010				mA
Maximum Reverse Current, I_R at Rated DC Reverse Voltage $T_c = 100^\circ\text{C}$	3.0				mA
Maximum thermal resistance, junction to case (single side cooled)	1.2				$^\circ\text{C}/\text{W}$
Operating and Storage Temperature Range	-65 to +175				$^\circ\text{C}$

Form D130

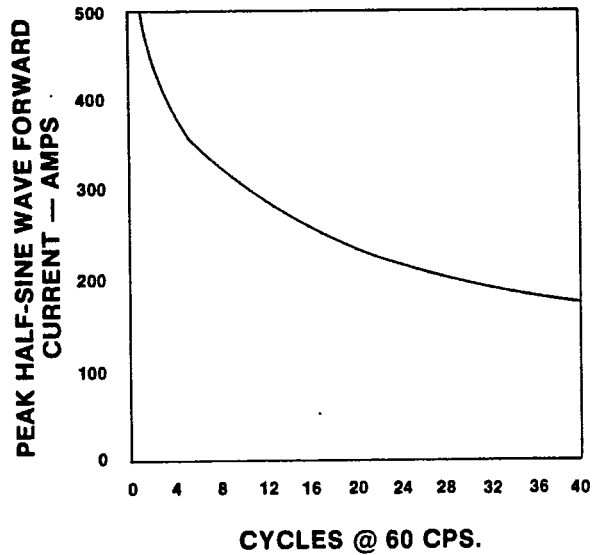
Section 8B-4

RATING AND CHARACTERISTIC CURVES 30 AMP SERIES

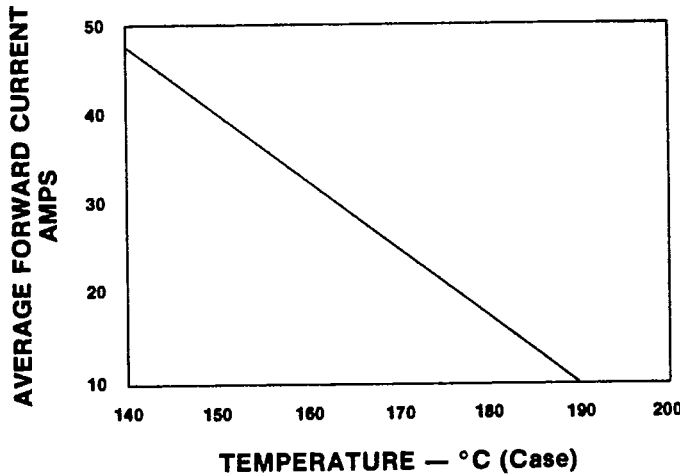
TYPICAL FORWARD CHARACTERISTICS



NON-RECURRENT FORWARD CURRENT SURGE



AVERAGE FORWARD CURRENT VS. TEMPERATURE



Section 8B-5



RENARD
MANUFACTURING CO., INC.

3131 NORTHWEST 79TH AVENUE
MIAMI, FLORIDA 33122 U.S.A
(305) 592-1500

NATIONWIDE TOLL FREE 800-327-7244