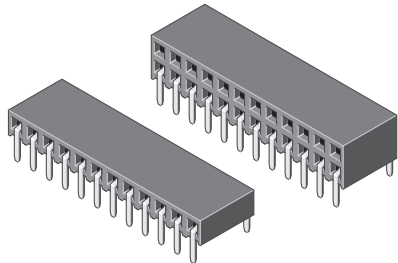


**FEMALE HEADER „THROUGH HOLE“**

**ID: 099**

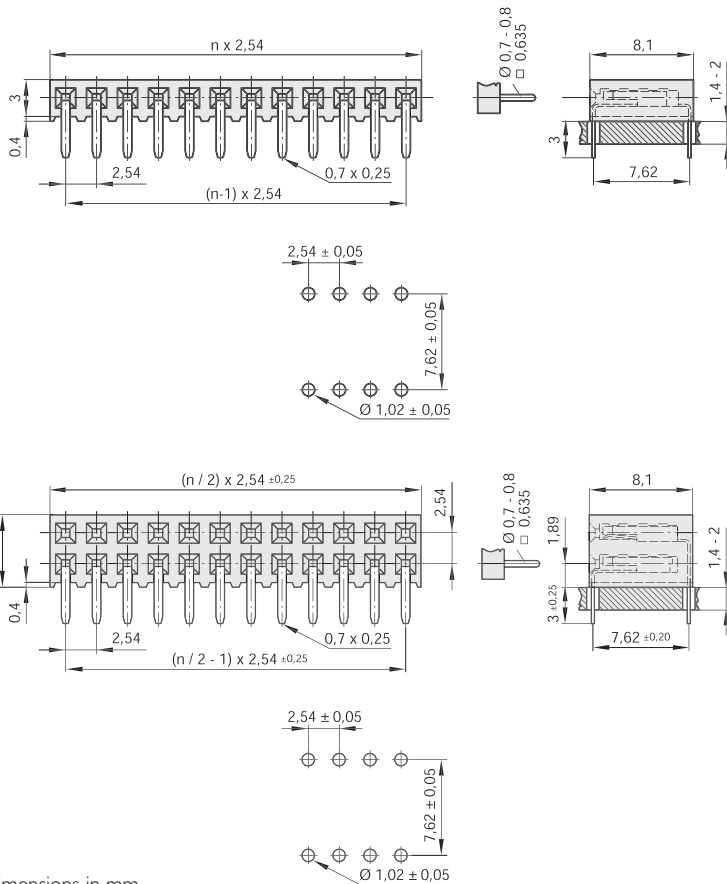
BL 1-0810S / BL 2-0810S

Series 401

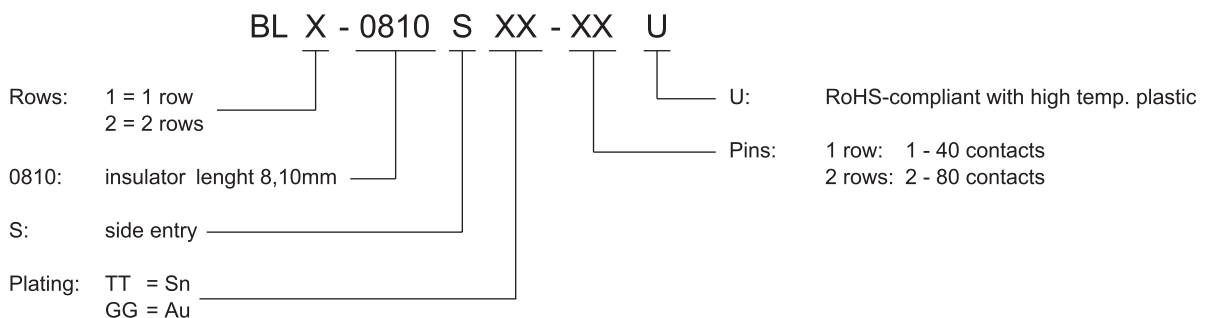


**TECHNICAL DATA**

Pitch	2,54 mm
Insulating Material	high temp. thermoplast UL94V-0
Contact Material	phosphor bronze
Rated Current	3 Amp.
Rated Voltage	250 V <sub>AC/DC</sub>
Withstanding Voltage	1000 V <sub>AC</sub> for one minute
Operating Temperature	-40°C to +105°C
Maximum Soldering Temperature	260°C for 10 seconds



All dimensions in mm.  
Other dimensions upon request.



7 | 2,54 mm