

METAL-CAN & EPOXY TRANSISTORS

**PROFESSIONAL GRADE APPLICATIONS**

	VCEO	VCBO	VEBO	hFE at bias	IC	VCE	ICM	PTA	ICBO	VCE(sat)	fT	Cob	ts	NF	
	Volts	Volts	Volts		mA	Volts	mA	mW	μA	Volts	MHz	pf	nsec	db	
Device	min	min	min	min/max			max	max	typ	typ	typ	typ	typ	typ	Package

**PNP SMALL SIGNAL LOW NOISE TRANSISTORS**

CIL 215	20	20	5	40/150	1	10	60	200	0.02	0.6	300	3	4	4	TO-106
CIL 216	20	20	5	100/300	1	10	60	200	0.02	0.6	300	3	4	4	TO-106
CIL 217	20	20	5	100/300	1	10	60	200	0.02	0.6	300	3	4	4	TO-106
CIL 218	20	20	5	400/1000	1	10	60	200	0.02	0.6	300	3	4	4	TO-106
CIL 235	40	40	5	40/150	1	10	60	200	0.02	0.6	300	3	4	4	TO-106
CIL 236	40	40	5	100/300	1	10	60	200	0.02	0.6	300	3	4	4	TO-106
CIL 237	40	40	5	200/500	1	10	60	200	0.02	0.6	300	3	4	4	TO-106
CIL 238	40	40	5	400/1000	1	10	60	200	0.02	0.6	300	3	4	4	TO-106
CIL 240	25	25	5	250/	1	10	50	200	0.01	0.6	300	3	4	4	TO-106
CIL 245	60	60	5	40/150	1	10	60	200	0.05	0.6	300	3	4	4	TO-106
CIL 246	60	60	5	100/300	1	10	60	200	0.05	0.6	300	3	4	4	TO-106

**NPN METALCAN GENERAL PURPOSE INDUSTRIAL TRANSISTORS**

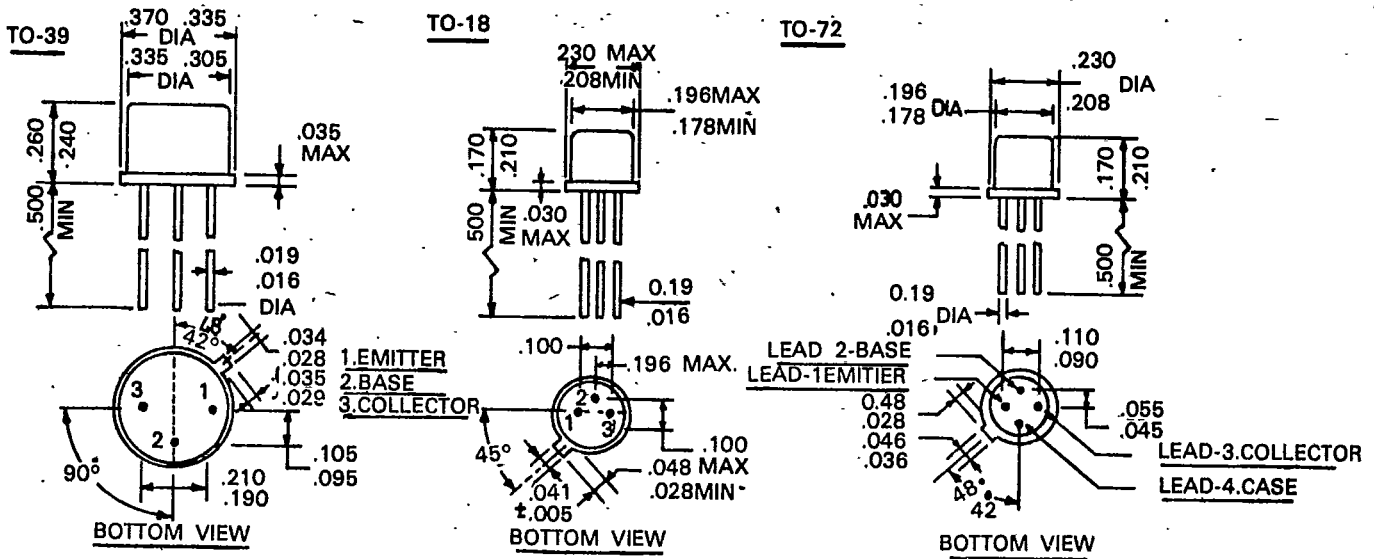
CIL 331	30	35	6	100/250	2	5	200	300	.025	0.25	350	2			TO-18
CIL 332	30	35	6	200/500	2	5	200	300	.025	0.25	350	2			TO-18
CIL 333	30	35	6	450/800	2	5	200	300	.025	0.25	350	2			TO-18
CIL 341	50	55	6	100/250	2	5	200	300	.025	0.25	350	2			TO-18
CIL 342	50	55	6	200/500	2	5	200	300	.025	0.25	350	2			TO-18
CIL 343	50	55	6	450/800	2	5	200	300	.025	0.25	350	2			TO-18
CIL 351	70	75	6	100/250	2	5	200	300	.05	0.25	350	2			TO-18
CIL 352	70	75	6	200/500	2	5	200	300	.05	0.25	350	2			TO-18

**PNP METALCAN GENERAL PURPOSE INDUSTRIAL TRANSISTORS**

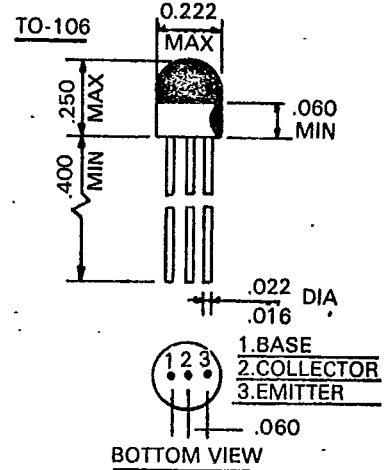
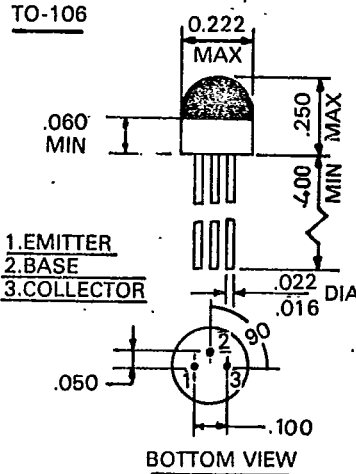
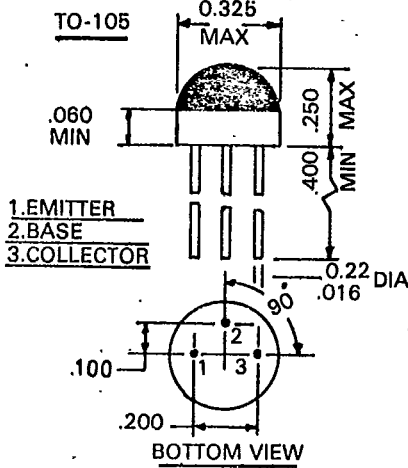
CIL 371	30	35	5	75/150	2	5	200	300	0.025	0.25	200	3			TO-18
CIL 372	30	35	5	125/300	2	5	200	300	0.025	0.25	200	3			TO-18
CIL 373	30	35	5	250/500	2	5	200	300	0.025	0.25	200	3			TO-18
CIL 381	50	55	5	75/150	2	5	200	300	0.025	0.25	200	3			TO-18
CIL 382	50	55	5	125/300	2	5	200	300	0.025	0.25	200	3			TO-18
CIL 391	75	80	5	75/150	2	5	200	300	0.05	0.25	200	3			TO-18

ALL DIMENSIONS IN INCHES

PACKAGE OUTLINES



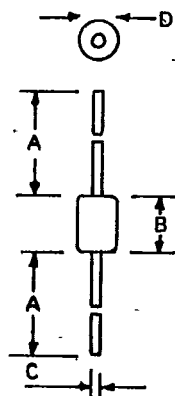
For transistor BF 167, 173 in TO-72 Package Base & Emitter leads get interchanged.



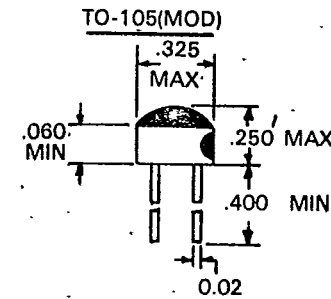
Note; For HF. transistor TO-106 Package 1. Base 2. Emitter and 3. Collector

TYPICAL DIMENSIONS

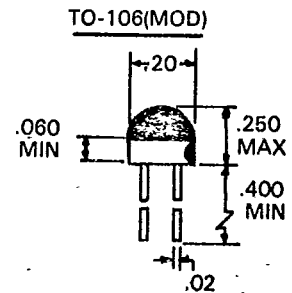
Dim	Package			
	DO-7	DO-35	DO-41	DO-34
A	1.100	1.100	1.100	1.100
B	0.230	0.140	0.150	0.104
C	0.020	0.020	0.032	0.020
D	0.096	0.070	0.94	0.056



LEAD ADJACENT TO DOT OR BAND-IS CATHODE

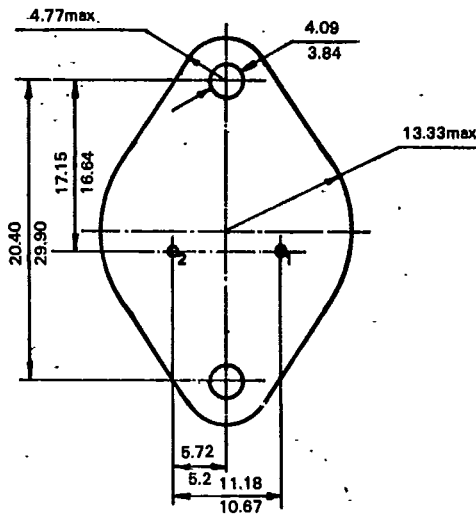
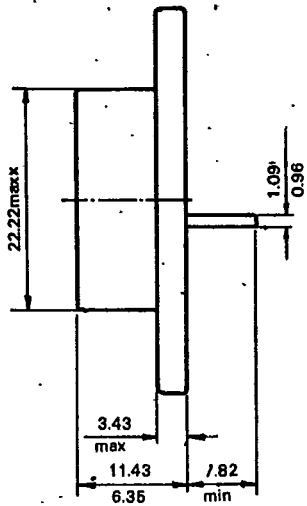


LEAD ADJACENT TO DOT IS CATHODE



LEAD ADJACENT TO DOT-IS CATHODE

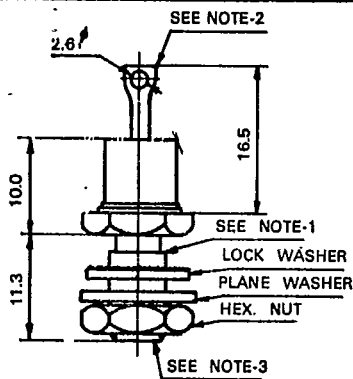
PACKAGE OUTLINES



TO-204AA

Pin Configuration: 1:Base  
2:Emitter  
Body : Collector

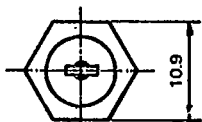
ALL DIMENSIONS IN M.M.



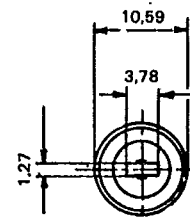
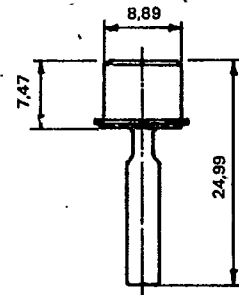
NOTES:

1. Threads to extend to within 2—1/2 threads of seating plane.
2. Angular orientation undefined.
3. 10-32 UNF-2A maximum pitch dia shall be (1687" 4.29 mm)

(All dimensions in mm)

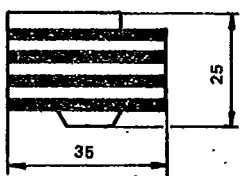
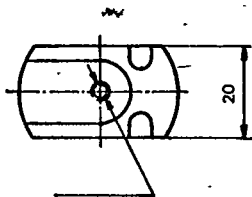


DO-4

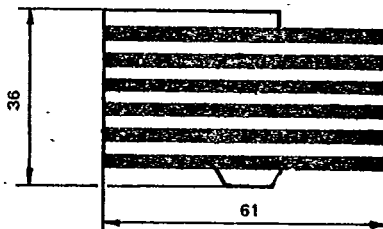
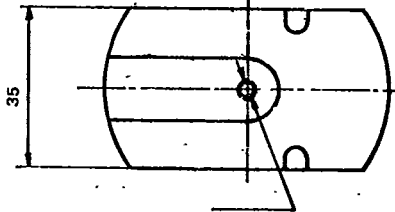


DO-21

HEAT SINK:



K 6 (3,6 AMP. DIODES)



K 12 (12 AMP. DIODES)

**PACKAGE OUTLINES**

FOR TO-92 AND TO 237 PACKAGE PIN CONFIGURATION FROM LEFT TO RIGHT IS COLLECTOR-BASE-EMITTER, KEEPING FLAT FACE IN FRONT AND LEADS POINTING DOWNWARDS.

