

# Customer Information Sheet

DRAWING No.: M80-412XXXXP

SHEET 2 OF 2

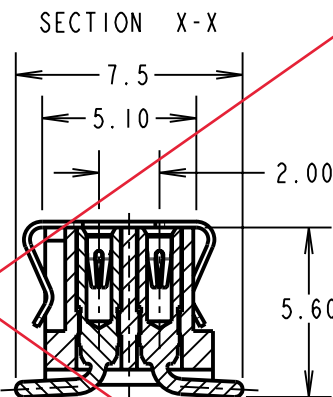
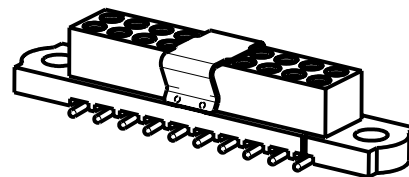
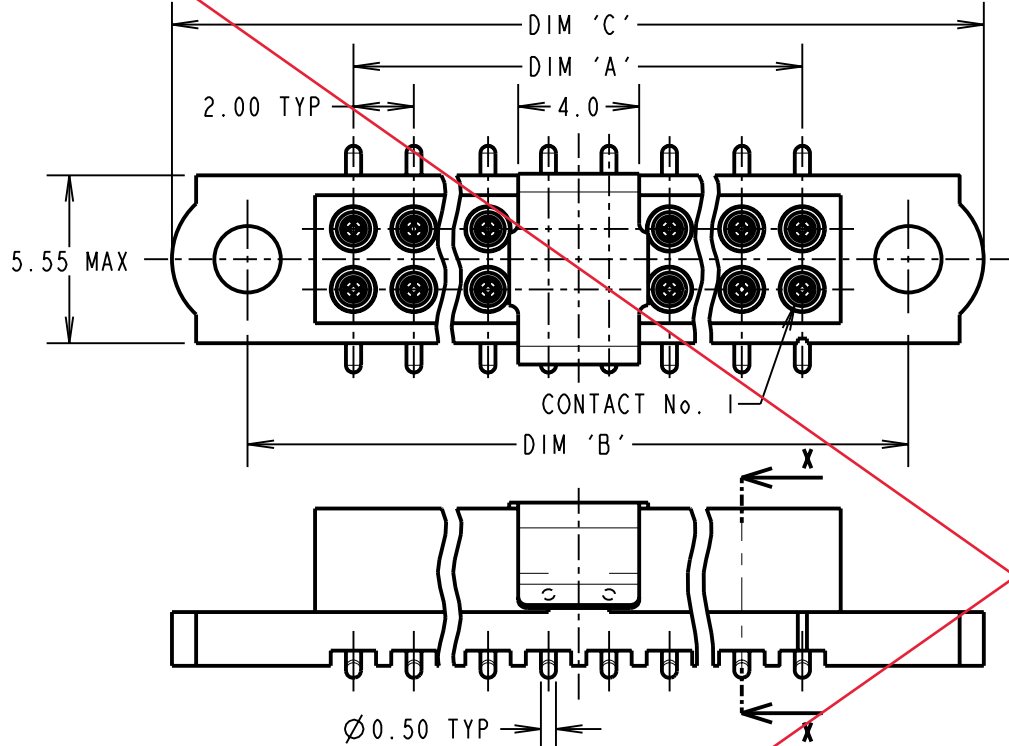
IF IN DOUBT - ASK

(C)

NOT TO SCALE

THIRD ANGLE PROJECTION

ALL DIMENSIONS IN mm



**SPECIFICATIONS:**

**MATERIAL:**

MOULDING = GLASS-FILLED PPS, UL94V-0, BLACK  
 CONTACT CLIP = BERYLLIUM COPPER  
 CONTACT SHELL = BRASS  
 PICK & PLACE CAP = PHOSPHOR BRONZE

**FINISH:**

01 = 0.3µ GOLD CLIP, 3.5-5.0µ TIN/LEAD SHELL  
 05 = 0.3µ GOLD CLIP, 0.25-0.3µ GOLD SHELL  
 42 = 0.3µ GOLD CLIP, 3.5-5.0µ 100% TIN SHELL

**ELECTRICAL:**

CURRENT RATING AT 25°C = 3.0A MAX  
 CURRENT RATING AT 85°C = 2.2A MAX  
 WORKING VOLTAGE = 120V AC/DC  
 VOLTAGE PROOF = 360V AC/DC  
 CONTACT RESISTANCE = 25 mΩ MAX  
 INSULATION RESISTANCE = 100 MΩ MIN

**MECHANICAL:**

DURABILITY = 500 OPERATIONS  
 INSERTION FORCE (∅0.5mm GAUGE) = 2.8N MAX  
 WITHDRAWAL FORCE (∅0.5mm GAUGE) = 0.2N MIN

**ENVIRONMENTAL:**

TEMPERATURE RANGE = -55°C TO +125°C

**PACKING:**

TUBE

FOR COMPLETE SPECIFICATION, SEE COMPONENT SPECIFICATION C005XX (LATEST ISSUE)

**OBSOLETE**

| PART No.     | No. OF CONTACTS | DIM 'A' | DIM 'B' | DIM 'C' |
|--------------|-----------------|---------|---------|---------|
| M80-41206XXP | 6               | 4.00    | 11.00   | 16.00   |
| M80-41210XXP | 10              | 8.00    | 15.00   | 20.00   |
| M80-41214XXP | 14              | 12.00   | 19.00   | 24.00   |
| M80-41220XXP | 20              | 18.00   | 25.00   | 30.00   |
| M80-41226XXP | 26              | 24.00   | 31.00   | 36.00   |
| M80-41234XXP | 34              | 32.00   | 39.00   | 44.00   |
| M80-41242XXP | 42              | 40.00   | 47.00   | 52.00   |
| M80-41250XXP | 50              | 48.00   | 55.00   | 60.00   |

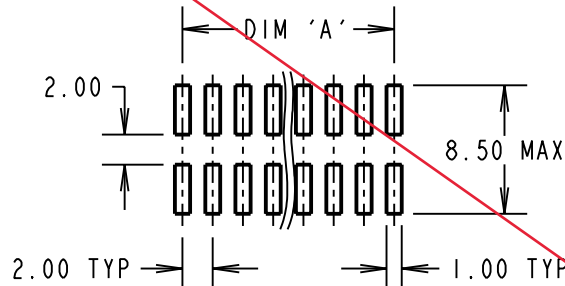
ORDER CODE: **M80-412XXXXP**

TOTAL No. OF CONTACTS  
 06, 10, 14, 20,  
 26, 34, 42, 50

**FINISH**

01 - GOLD CLIP, TIN/LEAD SHELL  
 05 - GOLD CLIP, GOLD SHELL  
 42 - GOLD CLIP, 100% TIN SHELL

**RECOMMENDED PCB LAYOUT**



|                     |      |          |        |
|---------------------|------|----------|--------|
| CP                  | 2    | 14.05.10 | 8839   |
| NAME                | ISS. | DATE     | C/NOTE |
| APPROVED: C.PENROSE |      |          |        |
| CHECKED: R.ADDE     |      |          |        |
| DRAWN: B. M. KENT   |      |          |        |
| CUSTOMER REF.:      |      |          |        |
| ASSEMBLY DRG:       |      |          |        |

**HARWIN**

HARWIN USA  
 TEL: 603 893 5376  
 FAX: 603 893 5396  
 mis@harwin.com

HARWIN Europe (UK)  
 TEL: 023 9231 4545  
 FAX: 023 9231 4590  
 mis@harwin.co.uk

HARWIN Asia  
 TEL: +65 6 779 4909  
 FAX: +65 6 779 3868  
 mis@harwin.com.sg

THIS DRAWING AND ANY INFORMATION OR DESCRIPTIVE MATTER SET OUT HEREON ARE CONFIDENTIAL AND COPYRIGHT PROPERTY OF THE HARWIN GROUP AND MUST NOT BE DISCLOSED, LOANED, COPIED, USED FOR MANUFACTURING, TENDERING OR FOR ANY OTHER PURPOSE WITHOUT THEIR WRITTEN PERMISSION.

**TOLERANCES**  
 X. = ±1mm  
 X.X = ±0.25mm  
 X.XX = ±0.10mm  
 X.XXX = ±0.01mm  
 ANGLES = ±5°  
 UNLESS STATED

**MATERIAL:**  
 SEE ABOVE  
**FINISH:**  
 SEE ABOVE  
**S/AREA:**  
 mm<sup>2</sup>

**TITLE:** JACKSCREW DATAMATE  
 DIL VERTICAL SMT FEMALE  
 P/PLACE (NO J/S)  
**DRAWING NUMBER:**  
**M80-412XXXXP**  
 SHT 2 OF 2