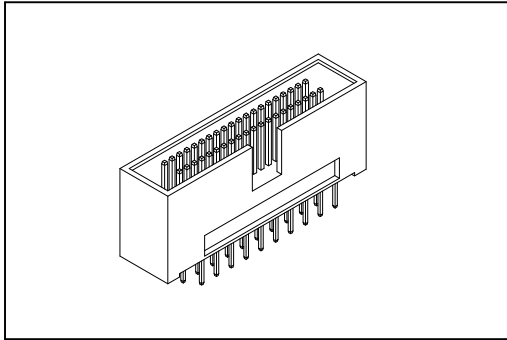


3214 Series

Box Header 1.27mmX2.54mm(0.050"X0.100")



Material:

Housing: Thermoplastic Polyester Glass Filled UL94V-0.

Contacts: Copper Alloy.

Electrical Characteristics:

Current Rating: 1 A.

Dielectric Withstanding Voltage: AC 500V.

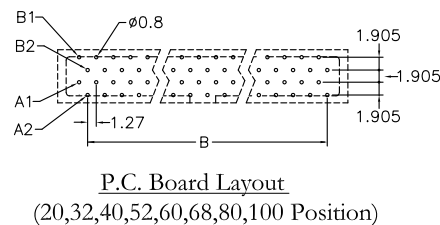
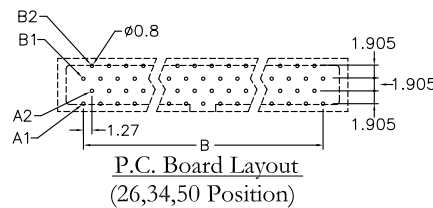
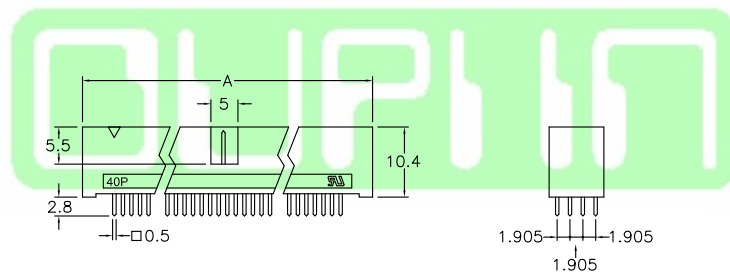
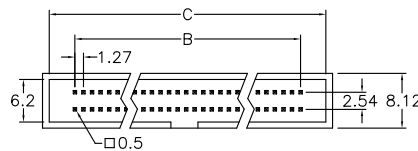
Insulator Resistance: 1000MΩ min.

Contact Resistance: 20mΩ max.

Operating Temperature: -55°C~+105°C.

Features:

- * Straight Type.
 - * Fully shrouded offers excellent protection.
 - * 4 row 1.27mm(0.05") zigzag PCB Layout.
 - * Choices of 20,26,32,34,40,50,52,60,68,80,100 pin.
 - * Additional plating options available.
- Mates with: 1202,1203,3205.



Position	Dimension		
	A	B	C
20	20.95	11.43	18.75
26	24.76	15.24	22.56
32	28.57	19.05	26.37
34	29.84	20.32	27.64
40	33.65	24.13	31.45
50	40.00	30.48	37.80
52	41.27	31.75	39.07
60	46.35	36.83	44.15
68	51.43	41.91	49.23
80	59.05	49.53	56.85
100	71.75	62.23	69.55

Ordering information

3214- 100 C 00 S B A
 Series No. of Pin Count C: Selective Gold Plated 00: G/F S: Straight B: Black A: Tray Package
 *Y: Grey

* Standard color black and maybe subject to minimum quantity request for color grey.

Information including designs, specifications and components may be changed or updated without notice.