

MAJOR LEAGUE ELECTRONICS

2mm (.079") c.l. Board Stacker Terminal Strips-Custom



BSTC-2

H High Temp.

Pins per row 01-50

Singles
Doubles

Desired Tail Height

Length	
(6,48) .255	01
(8,20) .323	02
(10,08) .397	04
(10,59) .417	06
(11,58) .456	07
(14,10) .555	08
(14,61) .575	10
(15,09) .594	12
(15,60) .614	14
(16,18) .637	16
(19,10) .752	18
(21,11) .831	20

(Metric Dimensions)

Plating Options

G = 10μ in gold in contact area, gold flash on tail

GT = 10μ in gold in contact area, 200μ in tin/lead on tail

H = 30μ gold on contact area, 200μ in tin/lead on tail

T = 200μ in tin/lead over entire pin

Other plating options available upon request

Board Space (.120 minimum)

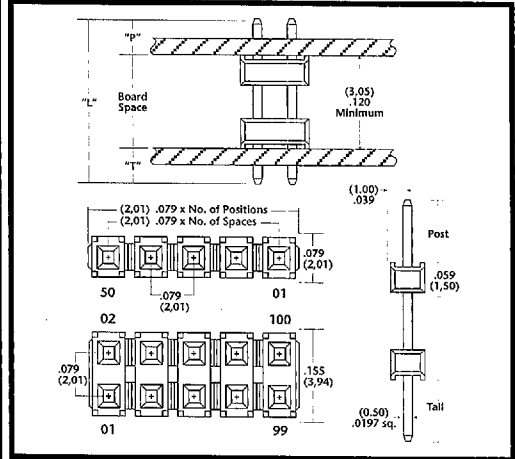
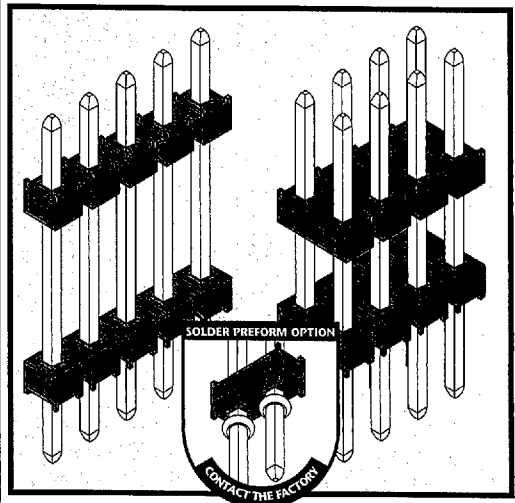
Lock Tight Option

Two tails per strip are crimped in opposing directions on or near the centerline. Must have a minimum tail dimension of .090". Recommended hole size of .032"

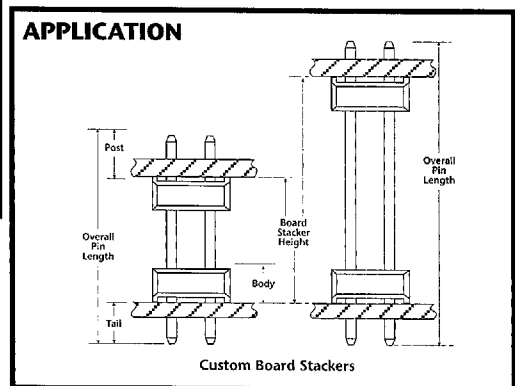
Position for Polarization Option

001-100

Mates with: SSSH, SSHR, SH, BSSH, SSSHSM, BSSHC



2 mm



EXAMPLE: You select the "tail" height and "board" spacing that you want; listed below are several examples. Formula: "L"ength - "T"ail - "B"oard =

STANDARD TEMPERATURE EXAMPLES					HIGH TEMPERATURE EXAMPLES				
Part Number	"L"ength	"T"ail	"B"oard	"P"ost	Part Number	"L"ength	"T"ail	"B"oard	"P"ost
BSTC-2XX-X-130-02-XX-080	(8,20) .323	(3,30) .130	(1,78) .080	(3,12) .113	HBSTC-2XX-X-150-06-XX-120	(10,59) .417	(3,82) .150	(3,05) .120	(3,74) .147
BSTC-2XX-X-090-02-XX-120	(8,20) .323	(2,29) .090	(3,05) .120	(3,12) .113	HBSTC-2XX-X-120-06-XX-150	(10,59) .417	(3,05) .120	(3,81) .150	(3,74) .147
BSTC-2XX-X-100-02-XX-150	(8,20) .323	(2,54) .100	(3,81) .150	(1,86) .073	HBSTC-2XX-X-165-08-XX-175	(14,10) .555	(4,19) .165	(4,44) .175	(5,47) .215
BSTC-2XX-X-125-04-XX-165	(10,08) .397	(3,05) .125	(4,19) .165	(2,72) .112	HBSTC-2XX-X-200-08-XX-200	(14,10) .555	(5,08) .200	(5,08) .200	(3,94) .155
BSTC-2XX-X-150-04-XX-180	(10,08) .397	(3,82) .150	(4,57) .180	(1,70) .067	HBSTC-2XX-X-250-10-XX-225	(14,61) .575	(6,36) .250	(5,71) .225	(2,54) .100

Product cut to specific sizes is noncancellable/nonreturnable. Parts are subject to change without notice.

Materials & Performance Specifications

	STANDARD	HIGH TEMPERATURE
Insulator	Black, glass filled, polyester	High temperature thermoplastic
Terminal	Phosphor Bronze	Phosphor Bronze
Insulation Resistance	5,000M Ω minimum	5,000M Ω minimum
Flammability	UL 94V-O	UL 94V-O
Temperature Range	-65°C to +125°C	-65°C to +250°C
Current Rating	2 ampere	2 ampere
Plating	All Plating Options over 50μ in Ni	All Plating Options over 50μ in Ni



Delivery On Time Every Time...Or The Order's Free!

D 24F 9019296 0000045 T21 Phone: 812-944-7244 • Facsimile: 812-944-7268 • Email: mle@iglou.com