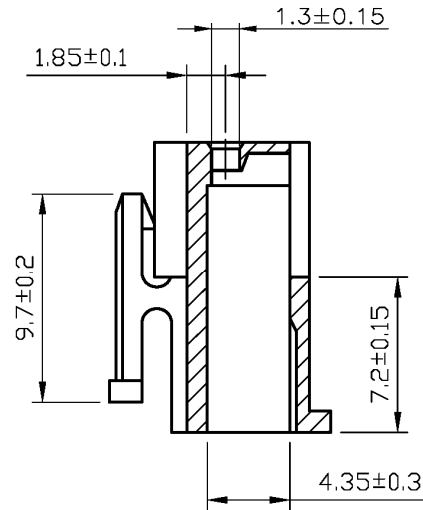
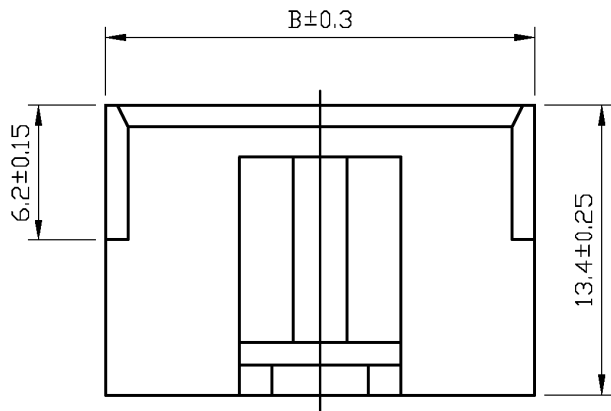


SPECIFICATIONS

Current Rating: 7A AC/DC
 Voltage Rating: 7A AC/DC
 Contact Resistance: 20mΩ max
 Housing Material: Nylon 66 UL94-V0
 Insulation Resistance: 1000MΩ min
 Poles: 2-15
 Withstanding: 1500V AC/min
 Temp Range: -25°C to +85°C



Dimensions (mm)					
Poles	A	B	Poles	A	B
2	3.96	7.90	9	31.68	35.90
3	7.92	11.90	10	35.64	39.90
4	11.88	15.90	11	39.60	43.90
5	15.84	19.90	12	43.56	47.90
6	19.80	23.90	13	47.52	51.90
7	23.75	27.90	14	51.48	55.90
8	27.72	31.90	15	55.44	59.90

Series	Type	Positions
JS	1121	XX
PCB Connector	Crimp Style Connector	02-15

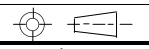
RoHS compliant

Rev.	Description	Date	Approved	Drawing	Name	Date
				Approved	Howard	07/01/07
				Checked	Lizzy	07/01/07
				Drawn	Tina	07/01/07
				0.0 ± 0.35	0.00 ± 0.20	Angles ± 3'

Central Components Manufacturing
 440 Lincoln Blvd., Middlesex, New Jersey 08846
 Phone 732 469-5720 888 288-5152 Fax 732 469-1919

Part No.: **JS-1121-XX**

Description: 3.96mm Crimp Style Connector Housing



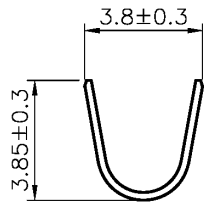
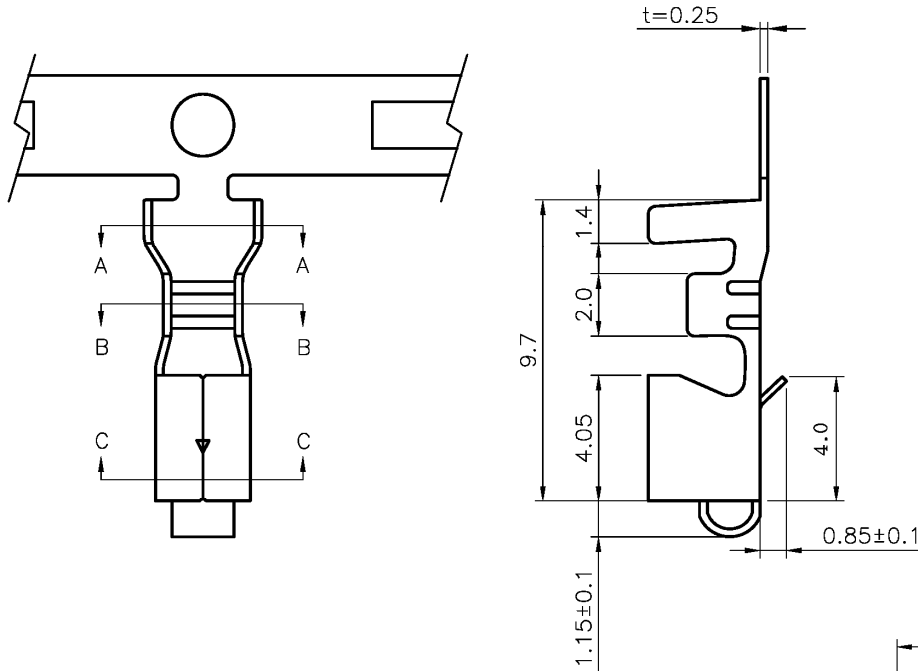
UNIT: mm

SPECIFICATIONS

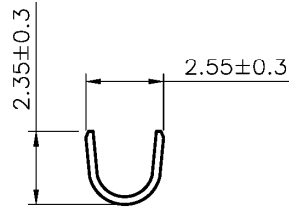
Current Rating: 7A AC/DC
 Voltage Rating: 7A AC/DC
 Contact Resistance: 20mΩ max
 Housing Material: Nylon 66 UL94-V0
 Insulation Resistance: 1000MΩ min
 Poles: 2-15
 Withstanding: 1500V AC/min
 Temp Range: -25°C to +85°C

TERMINAL

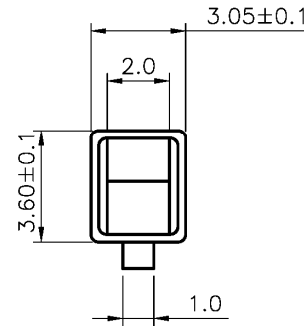
Material: Brass, Phosphor Bronze
 Finish: Tin Plated
 Thickness: 0.25mm



A-A SEC



B-B SEC



C-C SEC

Series	Type	Plating
JS	1121	XX
PCB Connector	Crimp Style Connector	T=Brass TP=Phos Bronze

RoHS compliant

Rev.	Description	Date	Approved	Drawing	Name	Date
				Approved	Howard	07/01/07
				Checked	Lizzy	07/01/07
				Drawn	Tina	07/01/07
				0.0 ± 0.35	0.00 ± 0.20	Angles ± 3'
				UNIT: mm		

Central Components Manufacturing
 440 Lincoln Blvd., Middlesex, New Jersey 08846
 Phone 732 469-5720 888 288-5152 Fax 732 469-1919

Part No.: **JS-1121-XX**

Description: 3.96mm Crimp Style Connector Housing