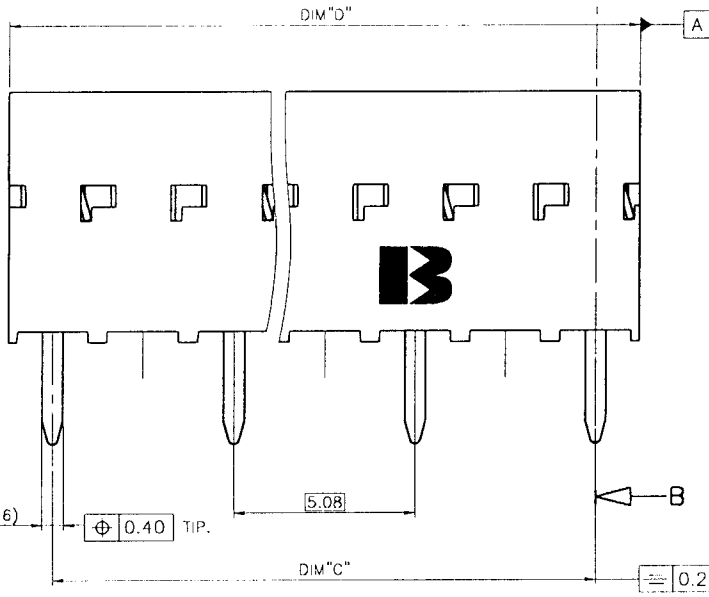
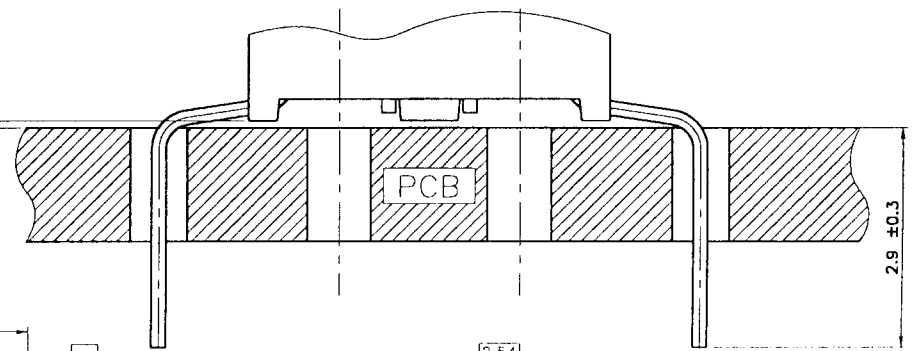
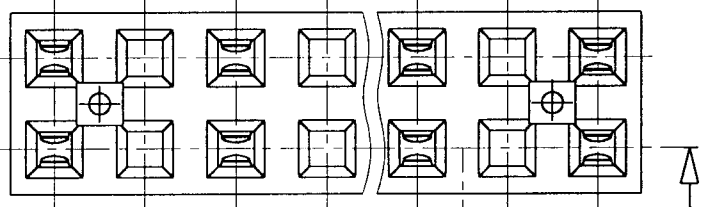


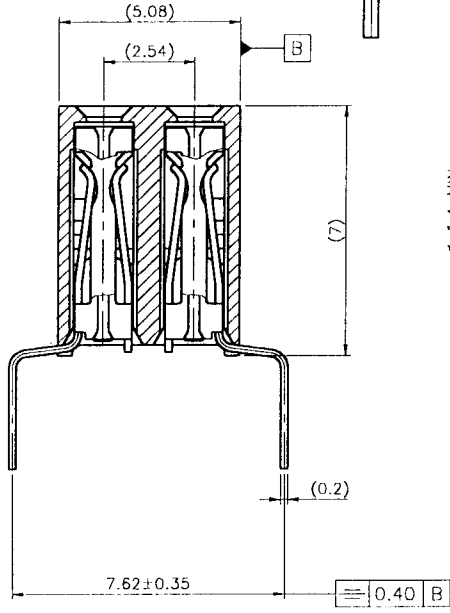
PRODUCT N°	DIM"C"	DIM"D"	CONTACT PLACED IN CAVITY											
93672-Y01	25.40/1.000	27.86/1.097	X	X	X	X	X	X	X	X	X	X	X	X
93672-Y01H			X	X	X	X	X	X	X	X	X	X	X	X

1 2 3 4 5 6 7 8 9 10 11

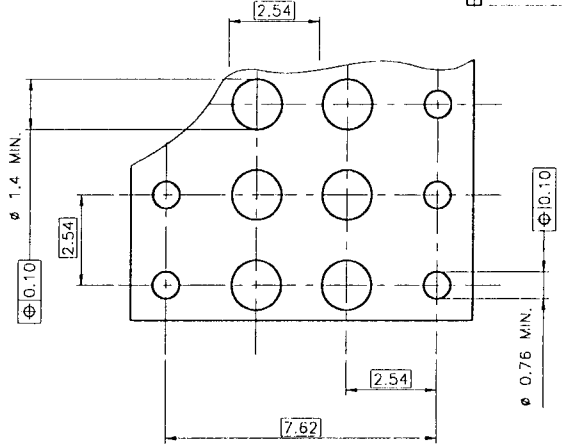
(SEE NOTE 4)



SECTION A-A



SECTION B-B



RECOMMENDED HOLE PATTERN

NOTES:

- 1 - MATERIAL HOUSING: THERMOPLASTIC POLYESTER, 30% GLASS FILLED, COLOUR BLUE. FLAME RETARDANT PER UL-94 CATEGORY V0.
- 2 - MATERIAL TERMINAL: PHOSPHOR BRONZE EXTRA HARD.
- 3 - MATERIAL HOUSING VERSION HIGH TEMPERATURE: PCT 30% GLASS FILLED, COLOUR GREY. FLAME RETARDANT PER UL-94 CATEGORY V0.
- 4 - THE DASH "H" AT THE END OF THE P/N TO INDICATE A HIGH TEMPERATURE HOUSING.

93672-6XX	2µm Au MIN. OVER	1.3µm Ni MIN.	SnPb OVER Ni	93672-6XXH
	80 µm	50 µm		
93672-4XX	5 µm SnPb MIN. OVER	0.1 µm Ni MIN.	SnPb OVER Ni	93672-4XXH
	200 µm	4 µm		
93672-3XX	0.75 µm Au MIN. OVER	1.3µm Ni MIN.	SnPb OVER Ni	93672-3XXH
	30 µm	50 µm		
PLATING CODE	CONTACT AREA		SOLDER TAIL	HIGH TEMP. VERSION
	PLATING EXPLANATION			

CUSTOMER COPY FOR REFERENCE ONLY

mat'l code		SEE NOTES		tolerances unless otherwise specified		CUSTOMER COPY		FCCI ELECTRONICS			
Utr	rev no	dr	date	linear	projection	mm	product family	DX	VCC	DR	code
C	F00698	PNZ	95.08.08				size	dwg no			21.3
D	F00723	PNZ	95.09.27				scale				1 of 1
E	F00638	VMQ	98.10.14	angles			A2	93672			
F	F00448	OLE	00.06.28	BT	P.NiZZ	95.09.19					
					J.W.PHAMVAN	95.09.19					
					P.NiZZ	95.09.19					
					J.W.P	95.09.19					
sheet	revision	F									
index	sheet	1									