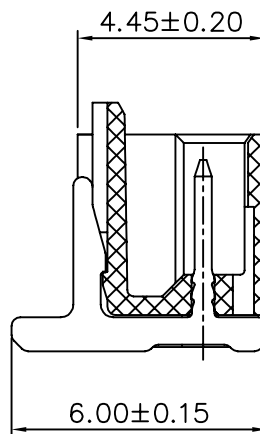
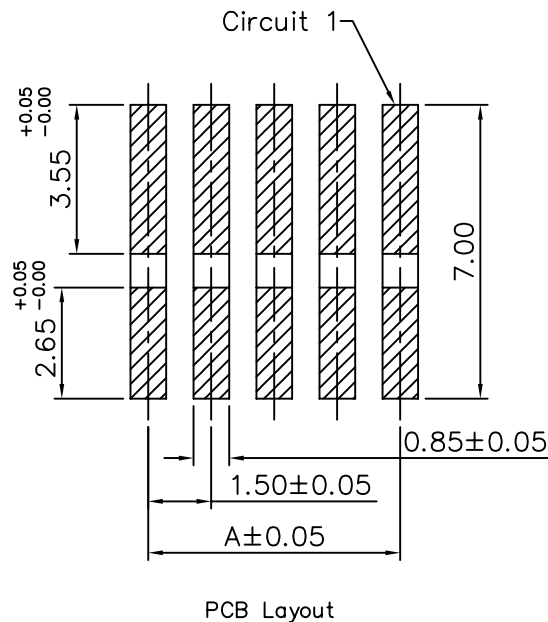


Circuit 1



SPECIFICATIONS

Current Rating: 1A AC, DC
 Voltage Rating: 100V AC, DC
 Withstanding Voltage: 500V AC/Minute
 Contact Resistance: 20 Milliohms Max.
 Insulation Resistance: 500Megohms Min.
 Temperature Range: -25°C to +85°C
 Insulator: Nylon66, UL94V-0
 Contact: Brass.Tin Plated
 Q'ty: 1,000pcs/Reel

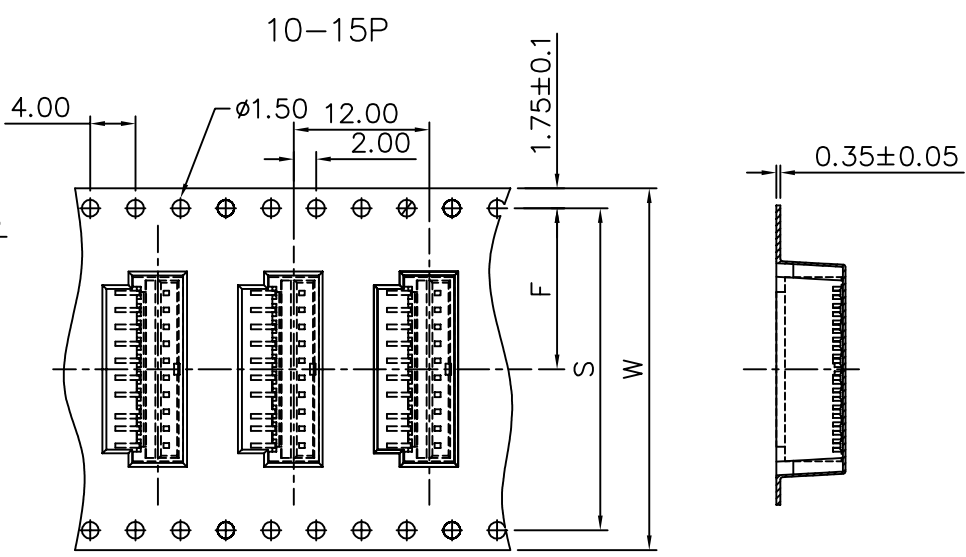
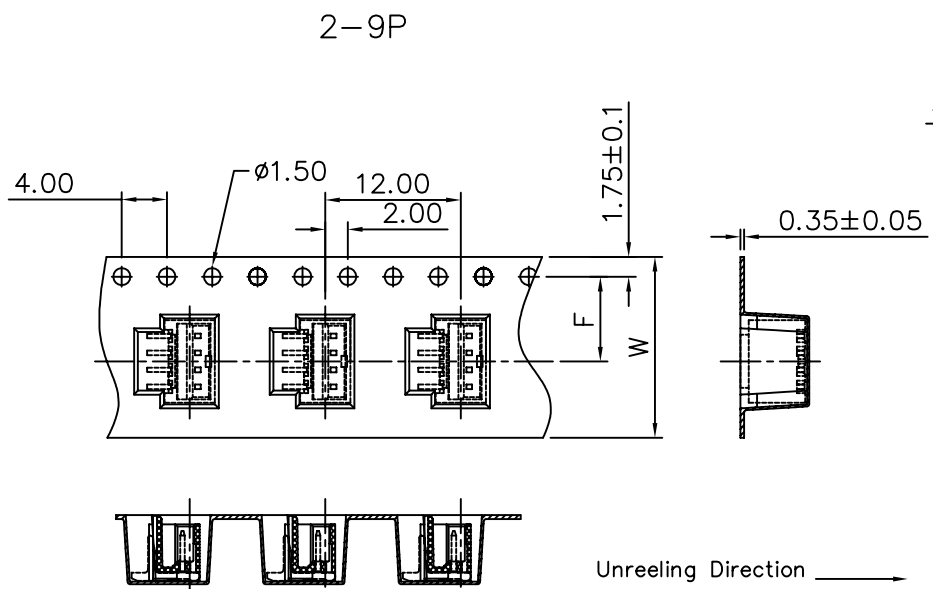
Poles	A	B
2	1.50	4.30
3	3.00	5.80
4	4.50	7.30
5	6.00	8.80
6	7.50	10.30
7	9.00	11.80
8	10.50	13.30
9	12.00	14.80
10	13.50	16.30
11	15.00	17.80
12	16.50	19.30
13	18.00	20.80
14	19.50	22.30
15	21.00	23.80



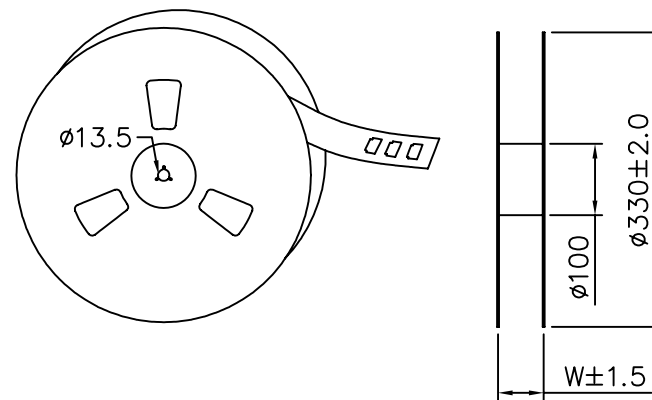
A MEMBER OF AUK GROUP
太聯事業股份有限公司
AUK CONTRACTORS CO., LTD.

CATEGORY		APPROVED BY MEI		UNLESS OTHERWISE SPECIFIED TOLERANCES ARE .X ±0.38 .XX ±0.25 ANG.
PART NO. MZXXV		CHECKED BY BECKY		
DRAWING No. MZXXV		DRAWING BY HZF		
SCALE	NONE	REV.	A0	
UNIT mm				

NO.	REV.	REVISIONS	CHK	DATE
△ A0		NEW RELEASE	BECKY	2004/01/27



Poles	W±0.3	F±0.15	S±0.1
2	16	7.5	---
3	16	7.5	---
4	16	7.5	---
5	16	7.5	---
6	24	11.5	---
7	24	11.5	---
8	24	11.5	---
9	24	11.5	---
10	32	14.2	28.40
11	32	14.2	28.40
12	32	14.2	28.40
13	32	14.2	28.40
14	44	20.2	40.40
15	44	20.2	40.40



AUK A MEMBER OF AUK GROUP
太聯事業股份有限公司
AUK CONTRACTORS CO., LTD.

CATEGORY		APPROVED BY MEI		UNLESS OTHERWISE SPECIFIED TOLERANCES ARE					
PART NO. MZXXV		CHECKED BY BECKY		.X ±0.38					
DRAWING No. MZXXV		DRAWING BY HZF		.XX ±0.25					
SCALE NONE		REV. A0		ANG.		△ A0 NEW RELEASE		BECKY	2004/01/27
				UNIT mm		NO. REV.		CHK	DATE
				[Symbol]		REVISIONS			