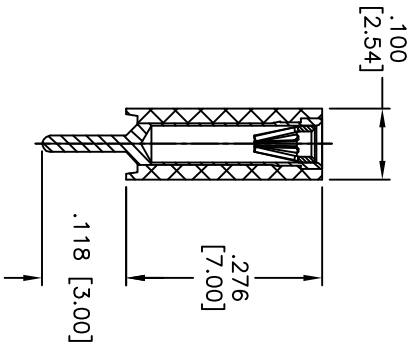
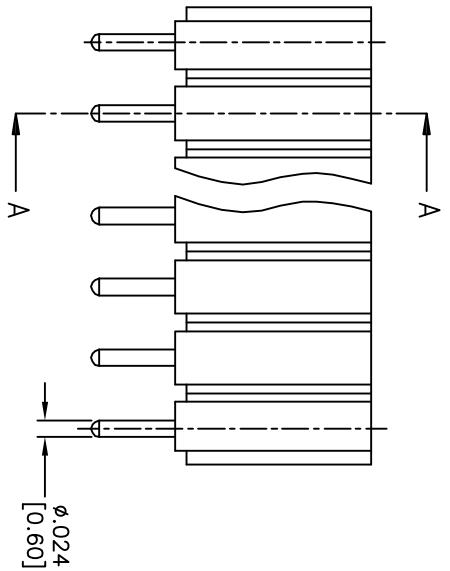
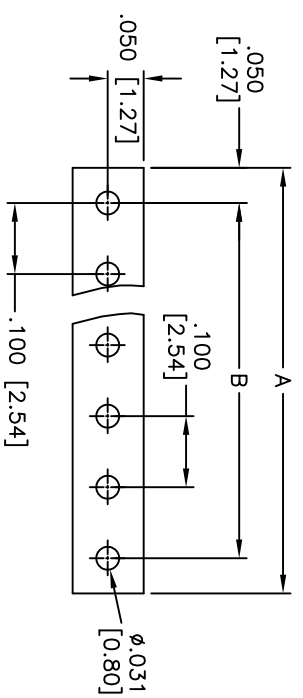
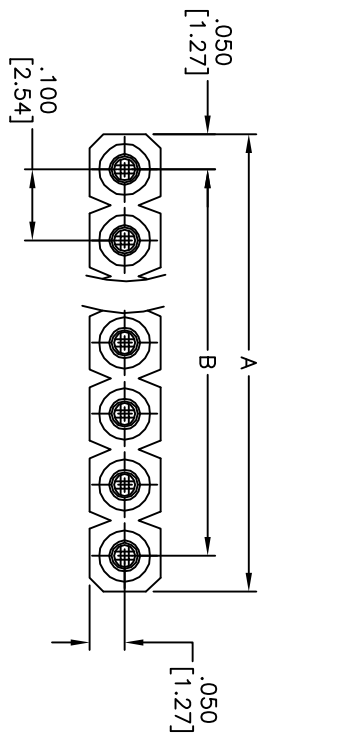


| Rev | AWO # | Description | Date    | Appr |
|-----|-------|-------------|---------|------|
| -   |       | RELEASED    | 9/14/10 |      |

APPROVED: \_\_\_\_\_  
 DATE: \_\_\_\_\_ TITLE: \_\_\_\_\_



Positions: 2 thru 40  
 A = .100 [2.54] x No. of Positions  
 B = .100 [2.54] x No. of Spaces

**SPECIFICATIONS:**  
 Material: PPS, rated UL 94V-0  
 Insulator color: Black  
 Contacts: BeCu  
 Sleeve: Brass  
 Plating:  
 Inner contact: Gold flash over Nickel underplate  
 Outer sleeve: Tin over Copper underplate overall  
 Electrical:  
 Current rating: 3 Amp  
 Contact resistance: 4 mohms max  
 Temperature Rating:  
 Operating temperature: -40°C to +105°C  
 Environmental:  
 Lead free, RoHS compliant  
 Recommended soldering temp: 260°C for 5 seconds

UNLESS OTHERWISE SPECIFIED  
 ALL DIMENSIONS ARE INCHES [MM]  
 TOLERANCES: EXCEPT AS NOTED  
 INCHES: .X ± .10 ØXX ± .10  
 .XX ± .020 ØXXX ± .015  
 .XXX ± .015 ØXXXX ± .010  
 APPROVALS: \_\_\_\_\_ DATE: \_\_\_\_\_

**ADAM TECH**  
 909 Rahway Avenue, Union, NJ 07083  
 Phone: 908-687-5000 Fax: 908-687-5710  
 TITLE: .100 [2.54] MACHINED FEMALE HEADER,  
 SINGLE ROW, STRAIGHT, GOLD/TIN PLATED

|          |    |         |
|----------|----|---------|
| DRAWN    | DY | 9/14/10 |
| CHECKED  |    |         |
| APPROVED |    |         |

|      |                    |              |
|------|--------------------|--------------|
| SIZE | PART NO.           | REV.         |
| X    | SMC-1H7-XX-1-GT-HT | -            |
| REF: | S00007T            | SHEET 1 OF 1 |

