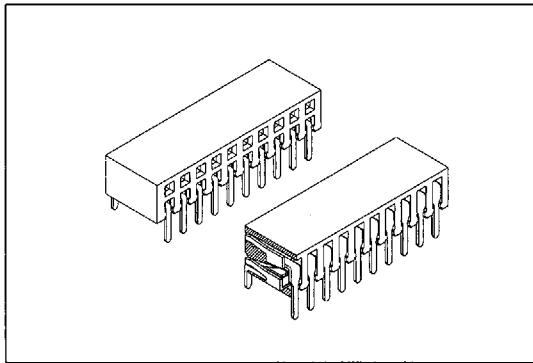


# 2049 SERIES

## P.C.B. SOCKET 2.54mm(0.100")



### Features:

- \* Double row Side Entry.
- \* 2.54mmX7.62mm center.

Mates with: 2011,2012.

### Material:

Housing: 30% Glass filled PBT UL94V-0.

Contacts: Phosphor Bronze.

Plating: Gold plated:  $5\mu''$  over  $50\mu''$  nickel.

Tin plated:  $150\mu''$  over  $70\mu''$  nickel.

### Electrical Characteristics:

Current Rating: 1 AMP

Insulator Resistance:  $5000M \Omega$  min. at DC 500V

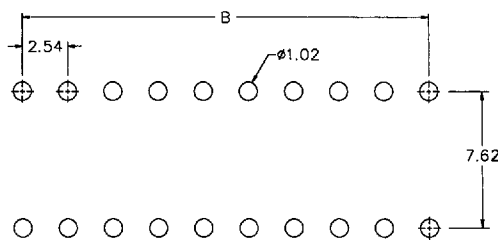
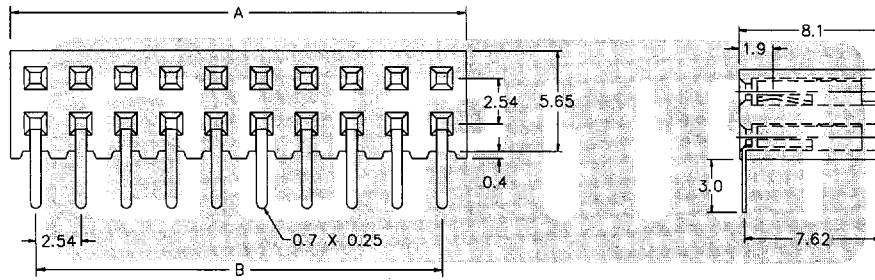
Contact Resistance:  $20m \Omega$  max. at DC 100mA

Operating Temperature:  $-55^{\circ}C \sim +105^{\circ}C$

### Mechanical Characteristics:

Insertion Force: 140g avg.(0.64mm sq. pin)

Withdrawal Force: 114g avg.(0.64mm sq. pin)



P.C. Board Layout

Position	8 Thru 80
Dimension	
A	2.54 X No. of Positions
B	2.54 X No. of Positions - 2.54

## Ordering information

2049-2 X 40 G  
 Series Double Row No. of Pin Per Row G: Gold Plated T: Tin Plated