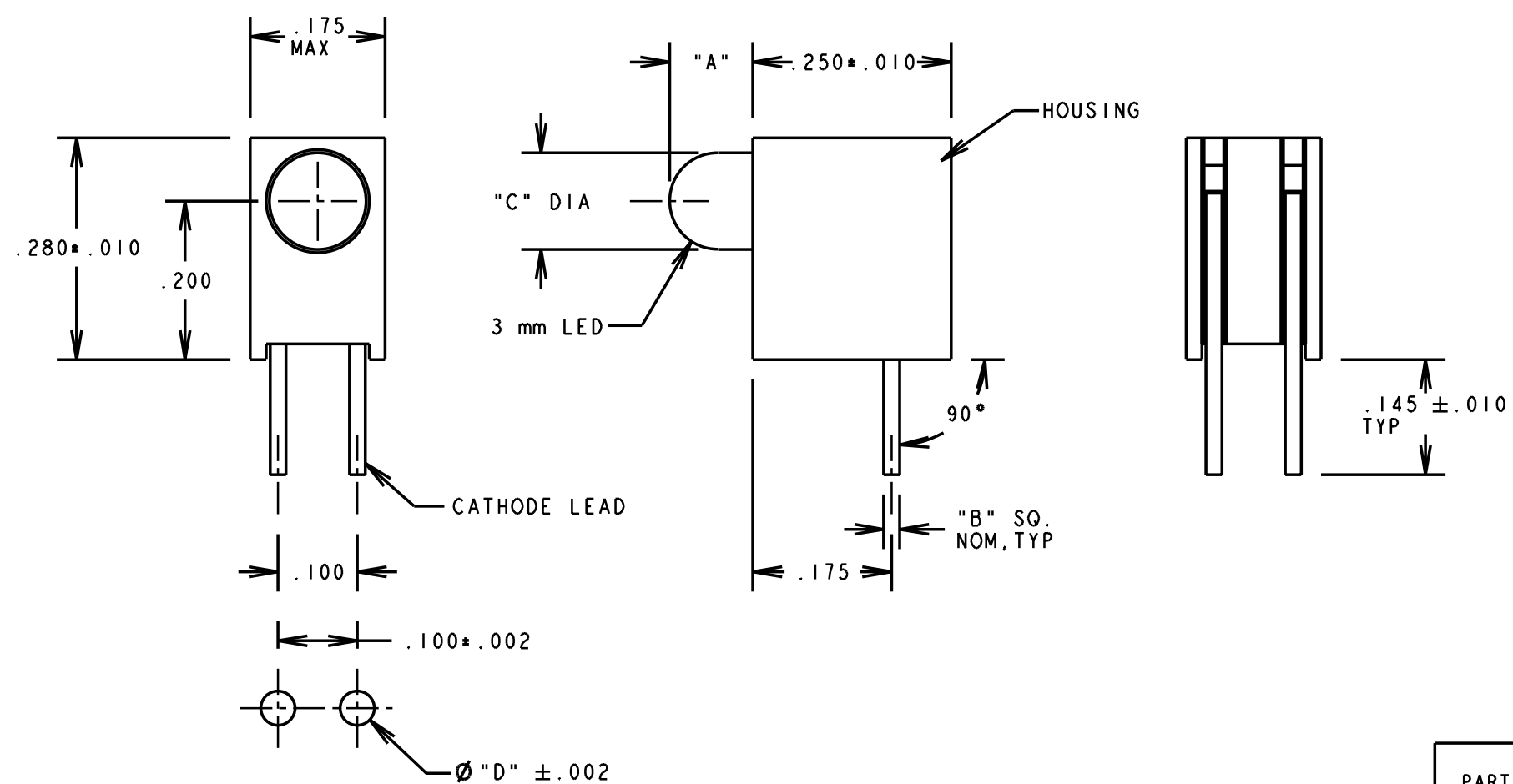


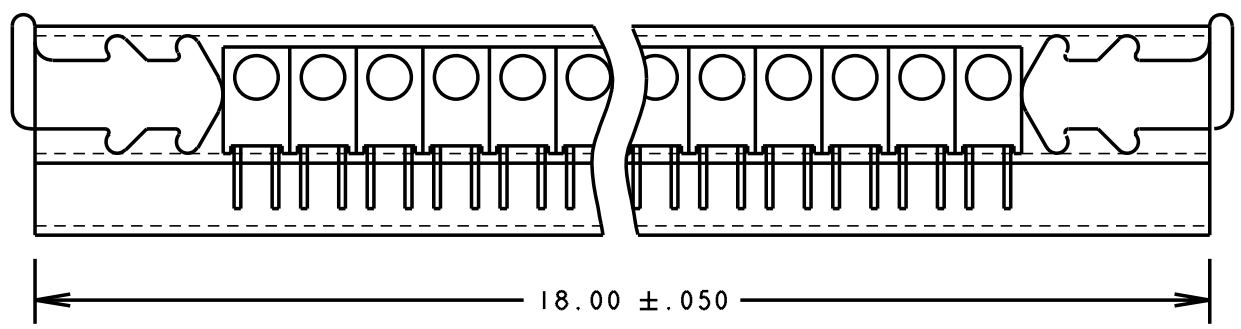
PART NUMBER	OPERATING CHARACTERISTICS AT T _a = 25 °C										TEST CONDITIONS
	FORWARD VOLTAGE/CURRENT			REVERSE VOLTAGE (V)	PEAK WAVELENGTH (nm)			LUMINOUS INTENSITY (mcd)			
	MIN	TYP	MAX		MIN	TYP	MAX	MIN	TYP	MAX	
551-1107-801		1.8 V	2.2 V	V _R = 5 V MIN @ 50 μA		635		1.0	1.8		I _f = 2 mA
551-1207-801		1.9 V	2.7 V	V _R = 5 V MIN @ 50 μA		583		1.0	1.6		I _f = 2 mA
551-1307-801		1.8 V	2.2 V	V _R = 5 V MIN @ 50 μA		565		1.0	1.6		I _f = 2 mA

REV.	ECN NO.	REVISIONS	DRN.	CKD.	APP.	DATE
A	—	NEW RELEASE	JMC			



RECOMMENDED PC BOARD HOLE PATTERN

PART NUMBER	LED COLOR	"A" DIMENSION	"B" DIMENSION	"C" DIMENSION	"D" DIMENSION
551-1107-801	RED DIFFUSED	.095	.018	.115 ± .010	.040
551-1207-801	YELLOW DIFFUSED	.095	.018	.115 ± .010	.040
551-1307-801	GREEN DIFFUSED	.095	.018	.115 ± .010	.040



NOTE:
PACKAGED 100 PCS PER TUBE

THIS DRAWING AND THE CONTENTS HEREIN ARE CONFIDENTIAL AND THE SOLE PROPERTY OF DIALIGHT. REPRODUCTION OF THIS DRAWING OR CONSTRUCTION OF ANY PARTS WITHIN THIS DRAWING ARE FORBIDDEN WITHOUT THE WRITTEN CONSENT OF DIALIGHT.

SCALE 5:1	DRAWING NUMBER	REV
ALL DIM'S IN: INCHES	C-15855	A
TOLERANCES: UNLESS OTHERWISE SPECIFIED	TITLE	
FRACTIONS: ±1/64 DECIMALS (.XX): ±.020 DECIMALS (.XXX): ±.015	MATERIAL	
ANGLES: ±1°	551-1107-801 551-1207-801 551-1307-801	
FINISH:	Dialight	
FSCM 83330	1913 ATLANTIC AVE. MANASQUAN, N.J. 08736	
	SHEET OF	FAMILY TABLE: