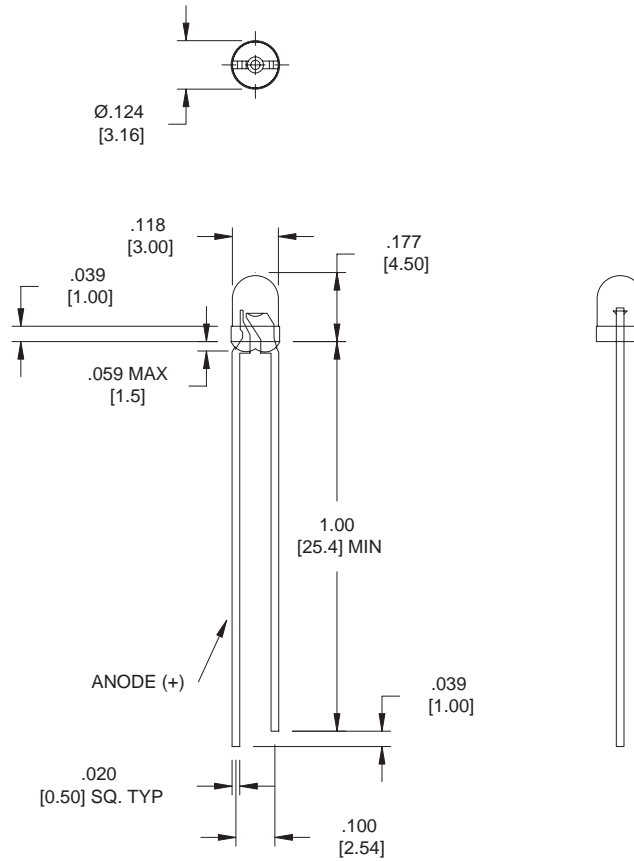


LTR	REVISION	DATE	APPD
E	RVSD mcd PER ECR 100397-JK003	10-17-97	SA
F	RVSD mcd PER ECR 111797-JK003	10-06-97	SA
G	RVSD PER ECR 111799-SA05	11-17-99	SA
H	RVSD PER ECR 100702-RM01	10-07-02	RM



NOTES:

1. ALL DIMS ARE IN INCHES (MILLIMETERS).
2. TOLERANCE IS $\pm 0.010"$ ($\pm 0.25\text{mm}$) UNLESS OTHERWISE SPECIFIED.
3. LEAD SPACING IS MEASURED WHERE LEADS EMERGE FROM THE PACKAGE.
4. LEADS TO BE SOLDERABLE AND CAPABLE OF MEETING THE SOLDERABILITY REQUIREMENTS OF MIL-STD-202, METHOD 208.
5. MANUFACTURE DATE SHALL NOT BE OLDER THAN 26 WEEKS (6 MONTHS).

LEDTRONICS PART NO.	L.E.D. RADIATION COLOR	L.E.D. APPEARANCE	ABSOLUTE MAXIMUM RATINGS (Ta=25°C)					ELECTRO-OPTICAL CHARACTERISTICS (Ta=25°C)						
			Pd mW	I _{fp} mA	I _f mA	V _r V	To _{pr} (°C)	I _f mA	I _v mcd typ	V _f =V typ/max	VIEW ANGLE 2θ1/2	I _r max m	Δλ nm	λ _{Peak} nm
L120CR6N	ULTRA RED	CLEAR	60	150	30	5	-40 TO +85	20	280	1.7/2.6	40	100	20	660
L120CR5N	HI-EFF RED	CLEAR	100	150	30	5	-40 TO +85	20	100	2.0/2.6	40	100	45	635
L120CO5N	ORANGE	CLEAR	100	150	30	5	-40 TO +85	20	130	2.0/2.6	40	100	35	610
L120CY5N	YELLOW	CLEAR	100	150	30	5	-40 TO +85	20	90	2.1/2.6	40	100	35	585
L120CG5N	HI-EFF GREEN	CLEAR	100	150	30	5	-40 TO +85	20	110	2.2/2.6	40	100	30	568
L120CPG5N	PURE GREEN	CLEAR	100	150	30	5	-40 TO +85	20	38	2.2/2.6	40	100	25	555
L120CUB5N	SUPER BLUE	CLEAR	65	150	30	5	-40 TO +80	20	200	3.8/4.5	30	100	65	428

Tstg: -40°C TO +100°C
 LEAD SOLDERING TEMP: [1.6mm (.063in) FROM BODY] 260°C FOR 5 SEC.

<p>LEDTRONICS, INC.™ 23105 KASHIWA COURT TORRANCE, CA 90505</p>	<p align="center">-PROPRIETARY-</p> <p><small>This document contains Proprietary information of LEDTRONICS, INC.™ It may not be copied, used or disclosed for any purpose without the prior express written consent of LEDTRONICS, INC.™</small></p> <p><small>.XXX ± .010 TOLERANCE PER ANSI-Y14.5 .XX ± .025 (UNLESS OTHERWISE STATED) ANGLES ± 0°.30' FRACT. ± 1/32</small></p>	TITLE L120CXXN					
		DWG NO DSDC0067	SCALE 2:1	SHEET 1 OF 1	DATE 09-30-96		
		CODE IDENT NO. 8Z410	DWG BY SMA	CHK BY PL 09-30-02	QA	MFG	CUSTOMER