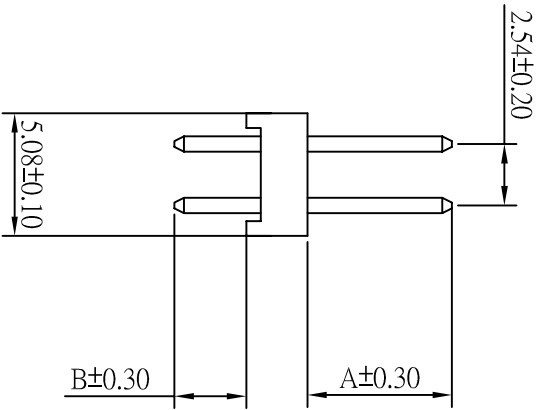
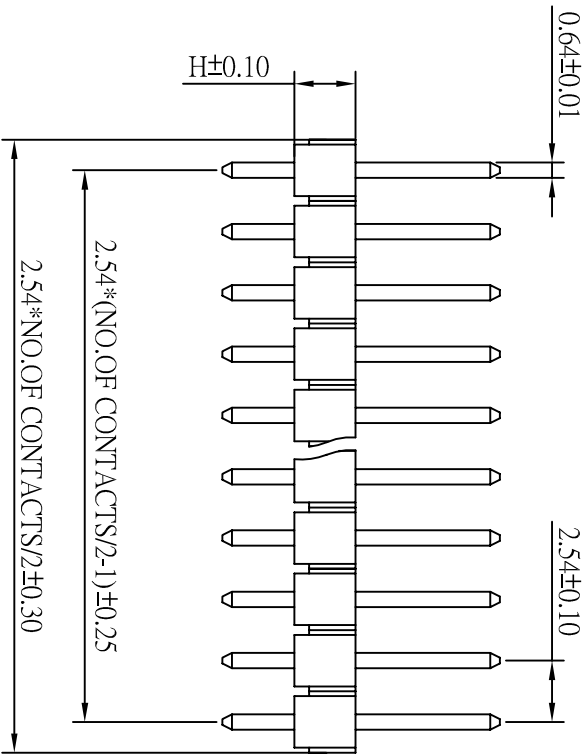
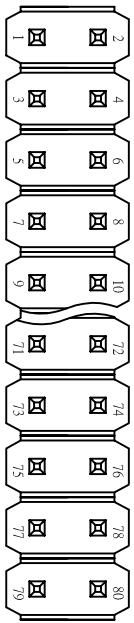
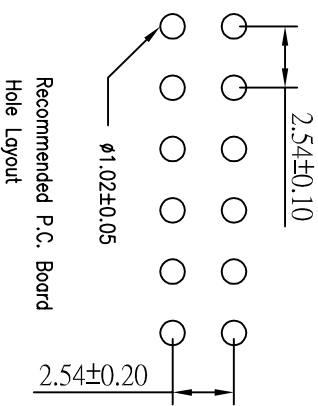


CUSTOMER COPY



- SPECIFICATION**
- * Current Rating: 3 A
 - * Withstanding Voltage: 800 VAC (1 min.)
 - * Insulation Resistance: 1000 Megohms min.
 - * Contact Resistance: 30 Milliohms max.
 - * Operating Temperature: -40°C to +85°C
 - * RETENTION FORCE 750g MIN.
- MATERIAL**
- * Contact: Brass , 0.64mm square post
 - * Insulator: High temperature plastic
 - * Plating: Gold



ORDER INFORMATION

184 32 XX XX X

REV	ECN NO.	APP.	DATE
A	NEW DESIGN		

Plating:
1: Tin
3: All Gold

No. Of Contacts (04 ~ 80)

Pin chart

Type

Pin Chart

No.	A	B	H
00	6.00	3.00	2.54
01	14.50	3.00	2.54
02	7.73	7.73	2.54
03	3.80	3.26	2.54
04	4.50	4.56	2.54
05	12.00	3.00	2.54
06	11.00	2.90	2.54
07	13.00	3.00	2.54
08	18.00	3.00	2.54
09	11.00	3.00	2.54

No.	A	B	H
10	8.40	3.00	2.54
11	9.50	3.00	2.54
12	8.00	8.00	2.54
13	8.00	3.00	2.54
14	12.46	3.00	2.54
15	4.50	3.00	2.54
16	10.00	3.00	2.54
17	3.75	2.75	2.54
18	11.60	3.00	2.54
19	8.00	3.20	2.54

No.	A	B	H
20	14.00	3.50	2.54
21	5.00	3.00	2.54
22	8.75	8.75	2.54

ACMELUX CO., LTD.

TEL:886-2-85124595 FAX:886-2-85124322

0.04	SCALE:	TITLE:	PART NO:111700
0.004	UNIT:	2.54X2.54MM (.100* .100") Pin	APP BY:
0.0004	MM	HEADER Duol Row	CHK BY:
MATL:		DR BY: Jack Lim	
DWG. NO. C18432XXXX			