

Blindmate Eurocard Connectors (Guided DIN Connector System) (Continued)

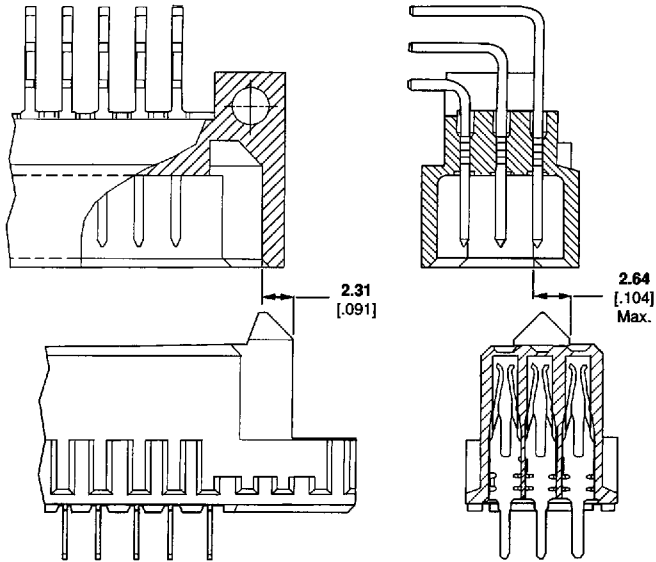
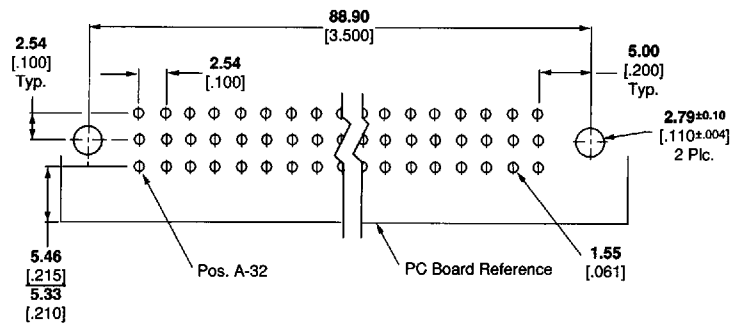
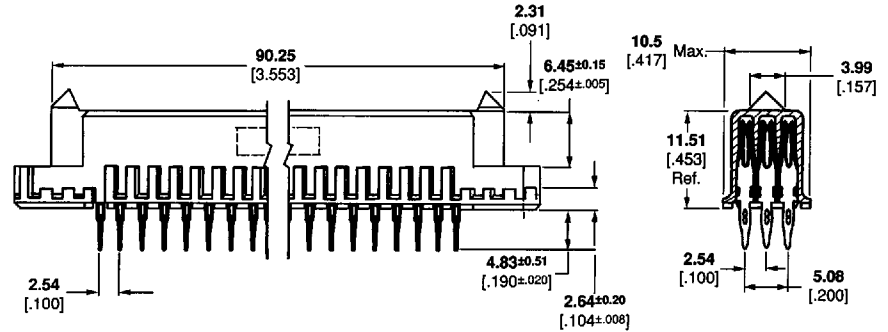
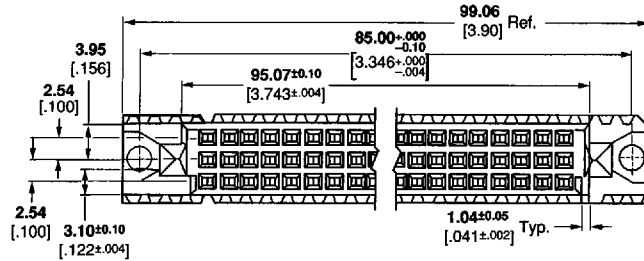
Type C Vertical Receptacle Assemblies with Guides and ACTION PIN Contacts 96-Positions Part No. 148001-4

Material and Finish:

Housing—Polyester, UL rated 94V-0, grey

Contacts—Phosphor bronze, plated per DIN 41612 Class 2 in contact area, plated tin-lead on solder tails

Note: ACTION PIN Posts require 1.57 [.062] min. PC board thickness

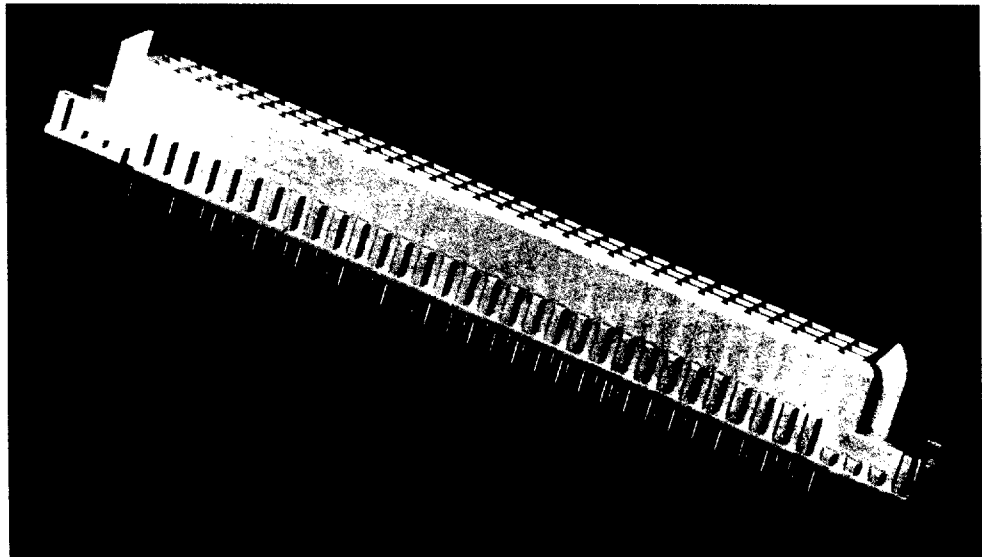


Typical Misalignment Tolerances

Blindmate Eurocard Connectors

Blindmate Eurocard Connectors (Guided DIN Connector System)**Product Facts**

- Meets DIN 41612 and IEC 603-2
- Two-piece board-to-board connector reliability
- Polarized housings, 94V-0 rated flame retardant
- Integral built-in mating guide pins and slots with extra wide misalignment tolerance
- Standard DIN 96-position Type C and Type R sizes
- ACTION PIN contact on Type C receptacle assembly
- Contacts plated per DIN 41612 Class 2 in contact area with tin-lead plating on solder tails
- Make first, break last contacts can be made available, contact AMP Incorporated



AMP Blindmate Eurocard connector system (Guided DIN connector system) consists of 3-row, 96-position Type C and Type R Receptacles and pin headers.

Type C system includes a vertical receptacle assembly with integral mating guide pins and ACTION PIN contacts, and a right-angle pin header assembly with integral corresponding guide slots and thru-hole solder tails. ACTION PIN contacts eliminate the need for soldering on the backplane.

Type R system consists of a right-angle receptacle and pin header assembly with integral mating guide pins and slots. Both receptacle and pin header assemblies are thru-hole solder tail board mount.

In both the Type C and Type R systems the pin headers can be loaded with make first, break last contacts to ensure that ground and power is connected before the signal contacts are mated. Contact AMP Incorporated on availability.

Guide-in pins and slots increase the lead-in (mis-

alignment tolerances) from 1.02 [.040] that is on the standard Eurocard Connector to 2.31 [.091]. This mating misalignment tolerance is vital for applications where mating occurs without precise card guides, and in make first, break last systems.

AMP Eurocard connectors incorporate international accepted design advantages of DIN 41612 and IEC 603-2 two-piece connectors with universally known quality, service and delivery of AMP products.