



# FAST CMOS 16-BIT LATCHED TRANSCEIVER

**IDT54/74FCT162543T/AT/CT**

## FEATURES:

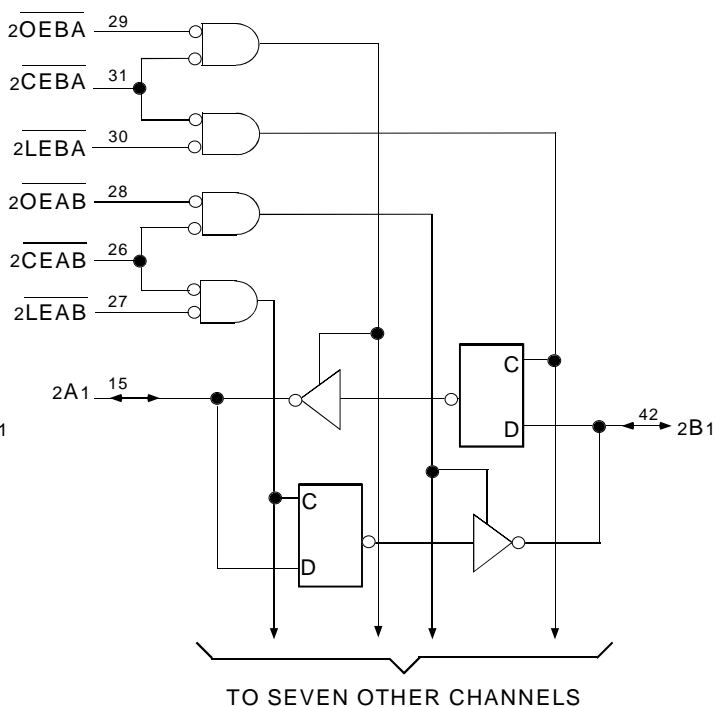
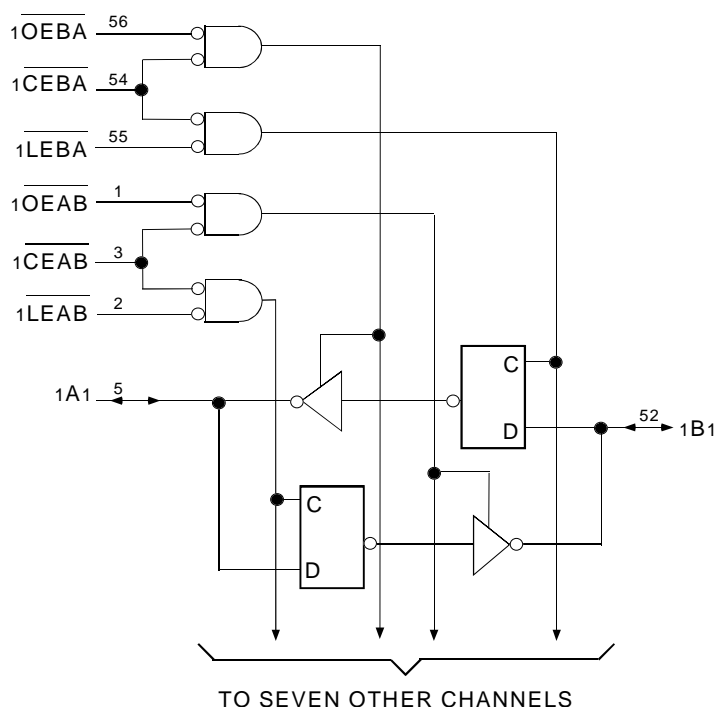
- 0.5 MICRON CMOS Technology
- High-speed, low-power CMOS replacement for ABT functions
- Typical tsk(o) (Output Skew) < 250ps
- Low input and output leakage  $\leq 1\mu A$  (max.)
- ESD > 2000V per MIL-STD-883, Method 3015; > 200V using machine model (C = 200pF, R = 0)
- Vcc = 5V  $\pm$  10%
- Balanced Output Drivers:
  - $\pm 24mA$  (industrial)
  - $\pm 16mA$  (military)
- Reduced system switching noise
- Typical VOLP (Output Ground Bounce) < 0.6V at Vcc = 5V, TA = 25°C
- Available in the following packages:
  - Industrial: SSOP, TSSOP, TVSOP
  - Military: CERPACK

## DESCRIPTION:

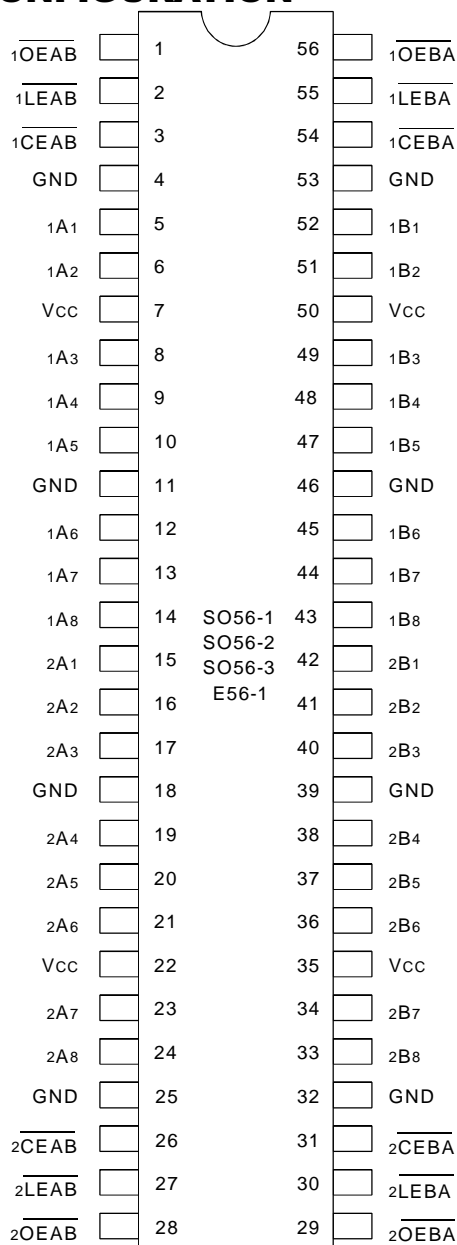
The FCT162543T 16-bit latched transceivers are built using advanced dual metal CMOS technology. These high-speed, low-power devices are organized as two independent 8-bit D-type latched transceivers with separate input and output control to permit independent control of data flow in either direction. For example, the A-to-B Enable (xCEAB) must be low in order to enter data from the A port or to output data from the B port. xLEAB controls the latch function. When xLEAB is low, the latches are transparent. A subsequent low-to-high transition of xLEAB signal puts the A latches in the storage mode. xOEAB performs output enable function on the B port. Data flow from the B port to the A port is similar but requires using xCEBA, xLEBA, and xOEBA inputs. Flow-through organization of signal pins simplifies layout. All inputs are designed with hysteresis for improved noise margin.

The FCT162543T has balanced output drive with current limiting resistors. This offers low ground bounce, minimal undershoot, and controlled output fall times—reducing the need for external series terminating resistors. The FCT162543T is a plug-in replacement for the FCT16543T and 54/74ABT16543 for on-board bus interface applications.

## FUNCTIONAL BLOCK DIAGRAM



### PIN CONFIGURATION



SSOP/ TSSOP/ TVSOP/ CERPACK  
TOP VIEW

### PIN DESCRIPTION

Pin Names	Description
$\overline{xOEAB}$	A-to-B Output Enable Input (Active LOW)
$\overline{xOEBA}$	B-to-A Output Enable Input (Active LOW)
$\overline{xCEAB}$	A-to-B Enable Input (Active LOW)
$\overline{xCEBA}$	B-to-A Enable Input (Active LOW)
$\overline{xLEAB}$	A-to-B Latch Enable Input (Active LOW)
$\overline{xLEBA}$	B-to-A Latch Enable Input (Active LOW)
$xAx$	A-to-B Data Inputs or B-to-A 3-State Outputs
$xBx$	B-to-A Data Inputs or A-to-B 3-State Outputs

### ABSOLUTE MAXIMUM RATINGS(1)

Symbol	Description	Max	Unit
$V_{TERM}^{(2)}$	Terminal Voltage with Respect to GND	-0.5 to +7	V
$V_{TERM}^{(3)}$	Terminal Voltage with Respect to GND	-0.5 to $V_{CC}+0.5$	V
$T_{STG}$	Storage Temperature	-65 to +150	°C
$I_{OUT}$	DC Output Current	-60 to +120	mA

5v16-link

#### NOTES:

- Stresses greater than those listed under ABSOLUTE MAXIMUM RATINGS may cause permanent damage to the device. This is a stress rating only and functional operation of the device at these or any other conditions above those indicated in the operational sections of this specification is not implied. Exposure to absolute maximum rating conditions for extended periods may affect reliability.
- All device terminals except FCT162XXX Output and I/O terminals.
- Output and I/O terminals for FCT162XXX.

### CAPACITANCE ( $T_A = +25^\circ C, f = 1.0MHz$ )

Symbol	Parameter <sup>(1)</sup>	Conditions	Typ.	Max.	Unit
$C_{IN}$	Input Capacitance	$V_{IN} = 0V$	3.5	6	pF
$C_{OUT}$	Output Capacitance	$V_{OUT} = 0V$	3.5	8	pF

5v16-link

#### NOTE:

- This parameter is measured at characterization but not tested.

### FUNCTION TABLE<sup>(1,2)</sup>

For A-to-B (Symmetric with B-to-A)

Inputs			Latch Status	Output Buffers
$\overline{xCEAB}$	$\overline{xLEAB}$	$\overline{xOEAB}$	$xAx$ to $xBx$	$xBx$
H	X	X	Storing	High Z
X	H	X	Storing	X
L	L	L	Transparent	Current A Inputs
L	H	L	Storing	Previous* A Inputs
L	L	H	Transparent	High Z
L	H	H	Storing	High Z

#### NOTES:

- \* Before  $\overline{xLEAB}$  LOW-to-HIGH Transition  
H = HIGH Voltage Level  
L = LOW Voltage Level  
X = Don't Care
- A-to-B data flow shown; B-to-A flow control is the same, except using  $\overline{xCEBA}$ ,  $\overline{xLEBA}$  and  $\overline{xOEBA}$ .

## DC ELECTRICAL CHARACTERISTICS OVER OPERATING RANGE

Following Conditions Apply Unless Otherwise Specified:

Industrial:  $T_A = -40^{\circ}\text{C}$  to  $+85^{\circ}\text{C}$ ,  $V_{CC} = 5.0\text{V} \pm 10\%$ ; Military:  $T_A = -55^{\circ}\text{C}$  to  $+125^{\circ}\text{C}$ ,  $V_{CC} = 5.0\text{V} \pm 10\%$

Symbol	Parameter	Test Conditions <sup>(1)</sup>		Min.	Typ. <sup>(2)</sup>	Max.	Unit
$V_{IH}$	Input HIGH Level	Guaranteed Logic HIGH Level		2	—	—	V
$V_{IL}$	Input LOW Level	Guaranteed Logic LOW Level		—	—	0.8	V
$I_{IH}$	Input HIGH Current (Input pins) <sup>(5)</sup>	$V_{CC} = \text{Max.}$	$V_I = V_{CC}$	—	—	$\pm 1$	$\mu\text{A}$
	Input HIGH Current (I/O pins) <sup>(5)</sup>			—	—	$\pm 1$	
$I_{IL}$	Input LOW Current (Input pins) <sup>(5)</sup>		$V_I = \text{GND}$	—	—	$\pm 1$	
	Input LOW Current (I/O pins) <sup>(5)</sup>			—	—	$\pm 1$	
$I_{OZH}$	High Impedance Output Current	$V_{CC} = \text{Max.}$	$V_O = 2.7\text{V}$	—	—	$\pm 1$	$\mu\text{A}$
$I_{OZL}$	(3-State Output pins) <sup>(5)</sup>		$V_O = 0.5\text{V}$	—	—	$\pm 1$	
$V_{IK}$	Clamp Diode Voltage	$V_{CC} = \text{Min.}, I_{IN} = -18\text{mA}$		—	-0.7	-1.2	V
$I_{OS}$	Short Circuit Current	$V_{CC} = \text{Max.}, V_O = \text{GND}^{(3)}$		-80	-140	-250	mA
$V_H$	Input Hysteresis	—		—	100	—	mV
$I_{CCL}$ $I_{CCH}$ $I_{CCZ}$	Quiescent Power Supply Current	$V_{CC} = \text{Max.}$ $V_{IN} = \text{GND or } V_{CC}$		—	5	500	$\mu\text{A}$

5v16-link

## OUTPUT DRIVE CHARACTERISTICS

Symbol	Parameter	Test Conditions <sup>(1)</sup>		Min.	Typ. <sup>(2)</sup>	Max.	Unit
$I_{ODL}$	Output LOW Current	$V_{CC} = 5\text{V}, V_{IN} = V_{IH} \text{ or } V_{IL}, V_O = 1.5\text{V}^{(3)}$		60	115	200	mA
$I_{ODH}$	Output HIGH Current	$V_{CC} = 5\text{V}, V_{IN} = V_{IH} \text{ or } V_{IL}, V_O = 1.5\text{V}^{(3)}$		-60	-115	-200	mA
$V_{OH}$	Output HIGH Voltage	$V_{CC} = \text{Min.}$ $V_{IN} = V_{IH} \text{ or } V_{IL}$	$I_{OH} = -16\text{mA MIL}$	2.4	3.3	—	V
			$I_{OH} = -24\text{mA IND.}$				
$V_{OL}$	Output LOW Voltage	$V_{CC} = \text{Min.}$ $V_{IN} = V_{IH} \text{ or } V_{IL}$	$I_{OL} = 16\text{mA MIL}$	—	0.3	0.55	V
			$I_{OL} = 24\text{mA IND.}$				

5v16-link

### NOTES:

1. For conditions shown as Max. or Min., use appropriate value specified under Electrical Characteristics for the applicable device type.
2. Typical values are at  $V_{CC} = 5.0\text{V}$ ,  $+25^{\circ}\text{C}$  ambient.
3. Not more than one output should be shorted at one time. Duration of the test should not exceed one second.
4. Duration of the condition can not exceed one second.
5. The test limit for this parameter is  $\pm 5\mu\text{A}$  at  $T_A = -55^{\circ}\text{C}$ .

## POWER SUPPLY CHARACTERISTICS

Symbol	Parameter	Test Conditions <sup>(1)</sup>		Min.	Typ. <sup>(2)</sup>	Max.	Unit
$\Delta I_{CC}$	Quiescent Power Supply Current TTL Inputs HIGH	$V_{CC} = \text{Max.}$ $V_{IN} = 3.4V^{(3)}$		—	0.5	1.5	mA
$I_{CCD}$	Dynamic Power Supply Current <sup>(4)</sup>	$V_{CC} = \text{Max.}$ , Outputs Open $\overline{xCEAB}$ and $\overline{xOEAB} = \text{GND}$ $\overline{xCEBA} = V_{CC}$ One Input Toggling 50% Duty Cycle	$V_{IN} = V_{CC}$ $V_{IN} = \text{GND}$	—	60	100	$\mu\text{A}/\text{MHz}$
$I_C$	Total Power Supply Current <sup>(6)</sup>	$V_{CC} = \text{Max.}$ , Outputs Open $f_i = 10\text{MHz}$ 50% Duty Cycle $\overline{xLEAB}$ , $\overline{xCEAB}$ and $\overline{xOEAB} = \text{GND}$ $\overline{xCEBA} = V_{CC}$ One Bit Toggling	$V_{IN} = V_{CC}$ $V_{IN} = \text{GND}$	—	0.6	1.5	mA
			$V_{IN} = 3.4V$ $V_{IN} = \text{GND}$	—	0.9	2.3	
		$V_{CC} = \text{Max.}$ , Outputs Open $f_i = 2.5\text{MHz}$ 50% Duty Cycle $\overline{xLEAB}$ , $\overline{xCEAB}$ and $\overline{xOEAB} = \text{GND}$ $\overline{xCEBA} = V_{CC}$ Sixteen Bits Toggling	$V_{IN} = V_{CC}$ $V_{IN} = \text{GND}$	—	2.4	4.5 <sup>(5)</sup>	
			$V_{IN} = 3.4V$ $V_{IN} = \text{GND}$	—	6.4	16.5 <sup>(5)</sup>	

### NOTES:

- For conditions shown as Max. or Min., use appropriate value specified under Electrical Characteristics for the applicable device type.
- Typical values are at  $V_{CC} = 5.0V$ ,  $+25^\circ\text{C}$  ambient.
- Per TTL driven input ( $V_{IN} = 3.4V$ ). All other inputs at  $V_{CC}$  or  $\text{GND}$ .
- This parameter is not directly testable, but is derived for use in Total Power Supply Calculations.
- Values for these conditions are examples of the  $I_{CC}$  formula. These limits are guaranteed but not tested.
- $I_C = I_{\text{QUIESCENT}} + I_{\text{INPUTS}} + I_{\text{DYNAMIC}}$   
 $I_C = I_{CC} + \Delta I_{CC} D_{HNT} + I_{CCD} (f_{CP} N_{CP} / 2 + f_i N_i)$   
 $I_{CC} = \text{Quiescent Current (} I_{CCL}, I_{CCH} \text{ and } I_{CCZ})$   
 $\Delta I_{CC} = \text{Power Supply Current for a TTL High Input (} V_{IN} = 3.4V)$   
 $D_H = \text{Duty Cycle for TTL Inputs High}$   
 $N_T = \text{Number of TTL Inputs at } D_H$   
 $I_{CCD} = \text{Dynamic Current Caused by an Input Transition Pair (HLH or LHL)}$   
 $f_{CP} = \text{Clock Frequency for Register Devices (Zero for Non-Register Devices)}$   
 $N_{CP} = \text{Number of Clock Inputs at } f_{CP}$   
 $f_i = \text{Input Frequency}$   
 $N_i = \text{Number of Inputs at } f_i$

## SWITCHING CHARACTERISTICS OVER OPERATING RANGE

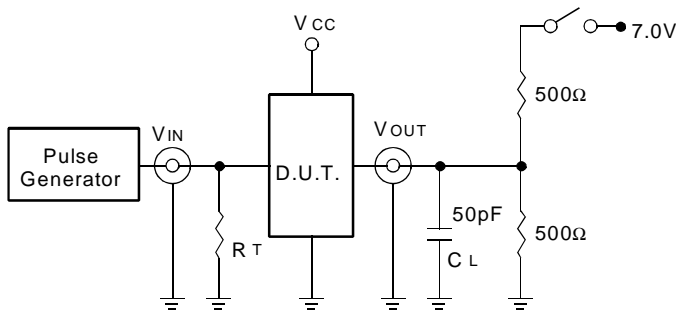
Symbol	Parameter	Condition <sup>(1)</sup>	FCT162543T				FCT162543AT				FCT162543CT				Unit
			Ind.		Mil.		Ind.		Mil.		Ind.		Mil.		
			Min. <sup>(2)</sup>	Max.	Min. <sup>(2)</sup>	Max.	Min. <sup>(2)</sup>	Max.	Min. <sup>(2)</sup>	Max.	Min. <sup>(2)</sup>	Max.	Min. <sup>(2)</sup>	Max.	
t <sub>PLH</sub> t <sub>PHL</sub>	Propagation Delay Transparent Mode xAx to xBx or xBx to xAx	CL = 50pF RL = 500Ω	1.5	8.5	1.5	10	1.5	6.5	1.5	7.5	1.5	3.5	1.5	6.1	ns
t <sub>PLH</sub> t <sub>PHL</sub>	Propagation Delay xLEBA to xAx, xLEAB to xBx		1.5	12.5	1.5	14	1.5	8	1.5	9	1.5	4.1	1.5	8	ns
t <sub>PZH</sub> t <sub>PZL</sub>	Output Enable Time xOEBA or xOEAB to xAx or xBx xCEBA or xCEAB to xAx or xBx		1.5	12	1.5	14	1.5	9	1.5	10	1.5	4.8	1.5	9	ns
t <sub>PHZ</sub> t <sub>PLZ</sub>	Output Disable Time xOEBA or xOEAB to xAx or xBx xCEBA or xCEAB to xAx or xBx		1.5	9	1.5	13	1.5	7.5	1.5	8.5	1.5	4	1.5	7.5	ns
t <sub>SU</sub>	Set-up Time HIGH or LOW xAx or xBx to xLEAB or xLEBA		2	—	3	—	2	—	2	—	1	—	2	—	ns
t <sub>H</sub>	Hold Time HIGH or LOW xAx or xBx to xLEAB or xLEBA		2	—	2	—	2	—	2	—	1	—	2	—	ns
t <sub>w</sub>	xLEBA or xLEAB Pulse Width LOW		4	—	5	—	4	—	5	—	3 <sup>(4)</sup>	—	5	—	ns
t <sub>sk(o)</sub>	Output Skew <sup>(3)</sup>		—	0.5	—	0.5	—	0.5	—	0.5	—	0.5	—	0.5	ns

**NOTES:**

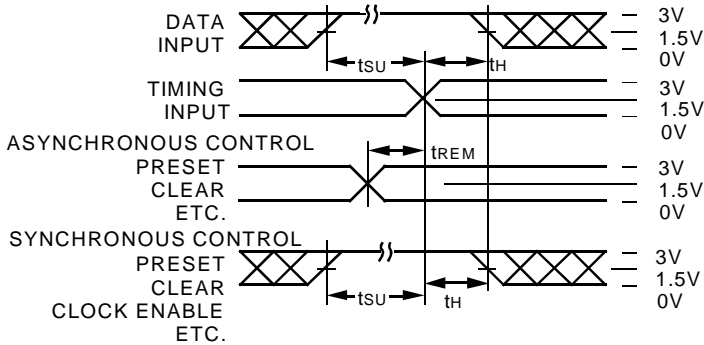
1. See test circuits and waveforms.
2. Minimum limits are guaranteed but not tested on Propagation Delays.
3. Skew between any two outputs of the same package switching in the same direction. This parameter is guaranteed by design.
4. This limit is guaranteed but not tested.

## TEST CIRCUITS AND WAVEFORMS

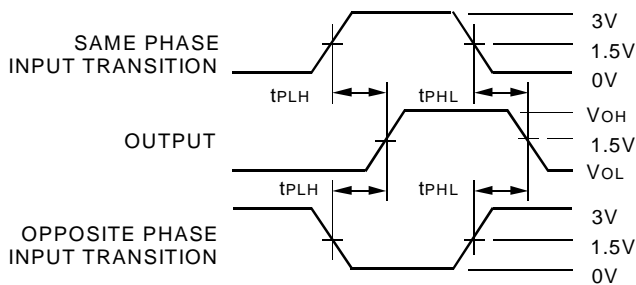
### TEST CIRCUITS FOR ALL OUTPUTS



### SET-UP, HOLD, AND RELEASE TIMES



### PROPAGATION DELAY



### SWITCH POSITION

Test	Switch
Open Drain	Closed
Disable Low	
Enable Low	
All Other Tests	Open

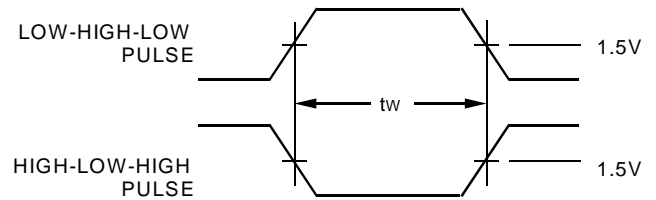
5v16-link

### DEFINITIONS:

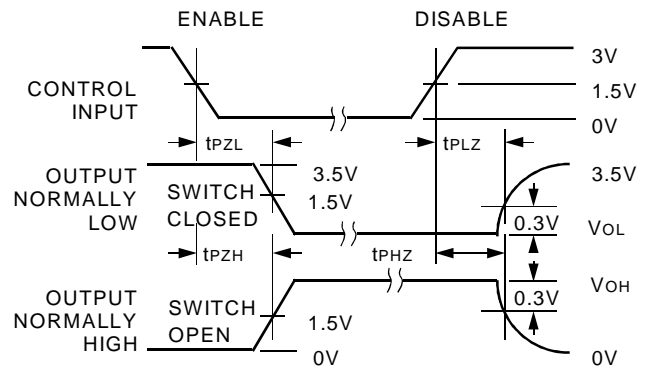
CL = Load capacitance: includes jig and probe capacitance.

RT = Termination resistance: should be equal to ZOUT of the Pulse Generator.

### PULSE WIDTH



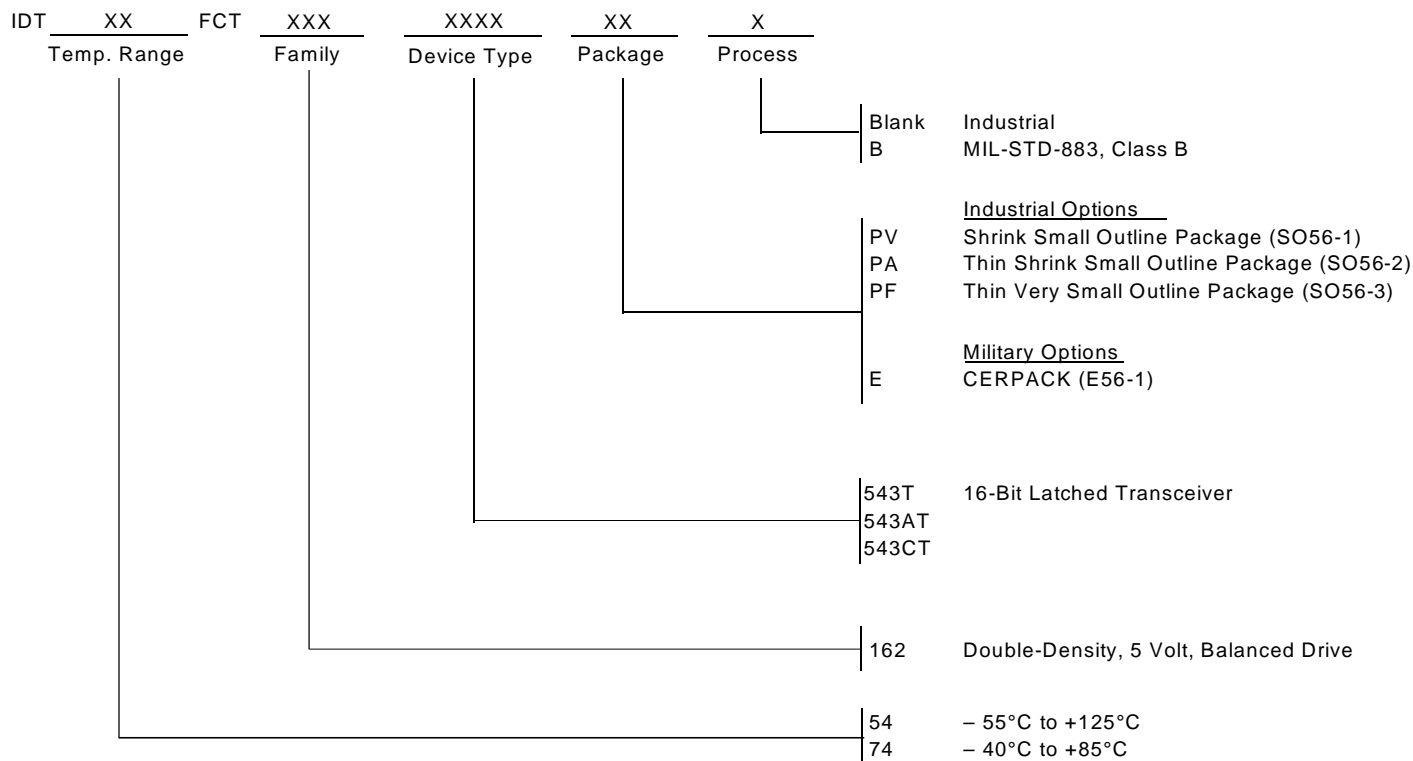
### ENABLE AND DISABLE TIMES



### NOTES:

1. Diagram shown for input Control Enable-LOW and input Control Disable-HIGH.
2. Pulse Generator for All Pulses: Rate  $\leq 1.0\text{MHz}$ ;  $t_f \leq 2.5\text{ns}$ ;  $t_r \leq 2.5\text{ns}$ .

**ORDERING INFORMATION**



**NOTE:**

New, tighter specs listed in the table below were changed effective with date code "0101" (parts shipped after January 1, 2001).

Device	Parameter	Description	Condition	Old (ns)	New (ns)
74FCT162543C	t <sub>PLH</sub> , t <sub>PHL</sub>	Prop Delay, Transparent Mode xAx to xBx or xBx to xAx	50pF/500 Ω	5.1	3.5
	t <sub>PLH</sub> , t <sub>PHL</sub>	Prop Delay xLEBA to xAx, xLEAB to xBx	50pF/500 Ω	5.6	4.1
	t <sub>PZH</sub> , t <sub>PZL</sub>	Output Enable xOEBA or xOEAB to xAx or xBx, xCEBA or xCEAB to xAx or xBx	50pF/500 Ω	7.8	4.8
	t <sub>PHZ</sub> , t <sub>PLZ</sub>	Output Disable xOEBA or xOEAB to xAx or xBx, xCEBA or xCEAB to xAx or xBx	50pF/500 Ω	6.5	4.0



**CORPORATE HEADQUARTERS**  
 2975 Stender Way  
 Santa Clara, CA 95054

**for SALES:**  
 800-345-7015 or 408-727-6116  
 fax: 408-492-8674  
 www.idt.com\*

\*To search for sales office near you, please click the sales button found on our home page or dial the 800# above and press 2. The IDT logo is a registered trademark of Integrated Device Technology, Inc.