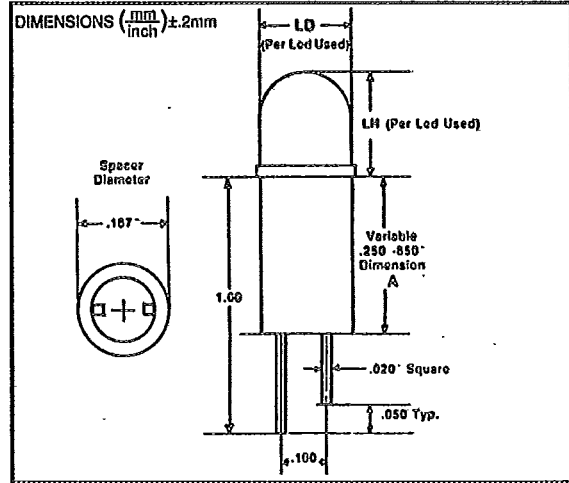


**SSS-LX5093XX SERIES T6mm LAMPS WITH ATTACHED SPACERS**

LUMEX PART NBR	EMITTED COLOR		EPOXY LENS COLOR	BRIGHTNESS		VIEW ANGLE	VI@20mA	
	PEAK(nm)	LENS COLOR		TYP.(mod.)	I(mA)		TYP.	MAX
SSS-LX5093ID-	RED	635	RED DIFF.	20	80	2.0	2.8	
SSS-LX5093IT-	RED	635	RED TRANSP.	20	25	2.0	2.8	
SSS-LX5093SRD-	RED	660	RED DIFF.	20	80	1.7	2.8	
SSS-LX5093SRT-	RED	660	RED TRANSP.	20	25	1.7	2.8	
SSS-LX5093GD-	GREEN	565	GREEN DIFF.	20	80	2.1	2.8	
SSS-LX5093GT-	GREEN	565	GREEN TRANSP.	20	25	2.1	2.8	
SSS-LX5093YD-	YELLOW	585	YELLOW DIFF.	20	80	2.1	2.8	
SSS-LX5093YT-	YELLOW	585	YELLOW TRANSP.	20	25	2.1	2.8	
<b>BI-COLOR OPTIONS</b>								
SSS-LX5093IGW-	RED/GREEN	635/565	WHITE DIFF.	20/20	80	2.0	2.8	
<b>LOW CURRENT OPTIONS (OTHER COLORS AVAILABLE)</b>								
SSS-LX5093LID-	RED	635	RED DIFF.	2	80	1.9	2.7	

ADD THREE DIGITS FOR .150"-1.00" SPACER (.005" INCREMENTS), (B) FOR BLACK PVC

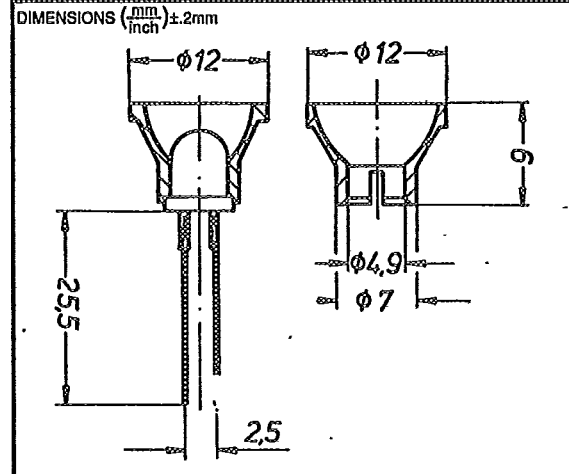
See pages 8 - 14 for Max. operating limits and operational curves



**SSI-LX5093XX SERIES T6 LEDs WITH EXTERNAL REFLECTORS**

LUMEX PART NBR	EMITTED COLOR		EPOXY LENS COLOR	BRIGHTNESS		VIEW ANGLE	VI@20mA	
	PEAK(nm)	LENS COLOR		TYP.(mod.)	I(mA)		TYP.	MAX
SSI-LX5093ID	RED	635	RED DIFF.	30	20	80	2.0	2.8
SSI-LX5093SRD	RED	660	RED DIFF.	100	20	80	1.7	2.2
SSI-LX5093GD	GREEN	565	GREEN DIFF.	30	20	80	2.1	2.8
SSI-LX5093YD	YELLOW	585	YELLOW DIFF.	30	20	80	2.1	2.8
<b>BI-COLOR OPTIONS</b>								
SSI-LX5093HGW	RED/GREEN	635/565	WHITE DIFF.	20/20	20/20	80	2.0	2.8

See pages 8 - 14 for Max. operating limits and operating curves



**SSL-LX509F3XX SERIES T5 FLANGELESS LED LAMPS**

LUMEX PART NBR	EMITTED COLOR		EPOXY LENS COLOR	BRIGHTNESS		VIEW ANGLE	VI@20mA	
	PEAK(nm)	LENS COLOR		TYP.(mod.)	I(mA)		TYP.	MAX
SSL-LX509F3ID	RED	635	RED DIFF.	20	20	80	2.0	2.8
SSL-LX509F3IT	RED	635	RED TRANSP.	120	20	25	2.0	2.8
SSL-LX509F3SRD	RED	660	RED DIFF.	250	20	80	1.7	2.2
SSL-LX509F3SRT	RED	660	RED TRANSP.	400	20	25	1.7	2.2
SSL-LX509F3GD	GREEN	565	GREEN DIFF.	20	20	80	2.1	2.8
SSL-LX509F3GT	GREEN	565	GREEN TRANSP.	100	20	25	2.1	2.8
SSL-LX509F3YD	YELLOW	585	YELLOW DIFF.	20	20	80	2.1	2.8
SSL-LX509F3YT	YELLOW	585	YELLOW TRANSP.	100	20	25	2.1	2.8
<b>BI-COLOR OPTIONS</b>								
SSL-LX509F3IGW	RED/GREEN	635/565	WHITE DIFF.	12/12	20/20	80	2.0	2.8
<b>LOW CURRENT OPTIONS (OTHER COLORS AVAILABLE)</b>								
SSL-LX509F3LID	RED	635	RED DIFF.	2.0	2	80	1.9	2.7

See pages 8 - 14 for Max. operating limits and operating curves

