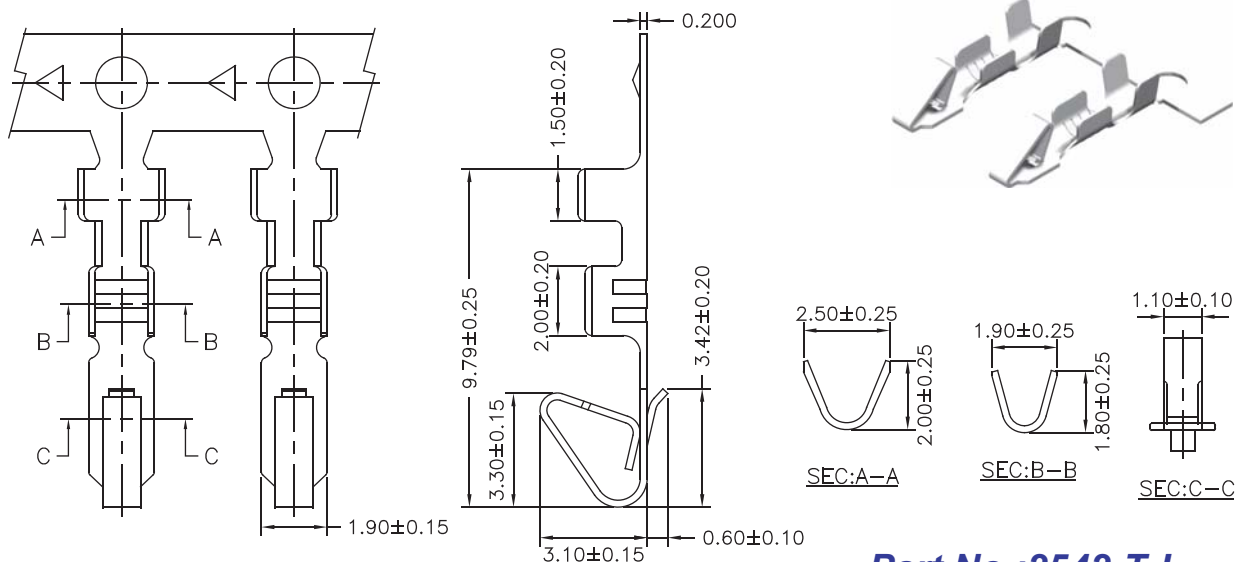


2.54mm Terminal / Housing



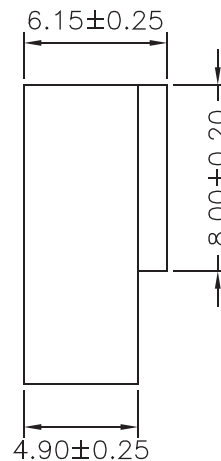
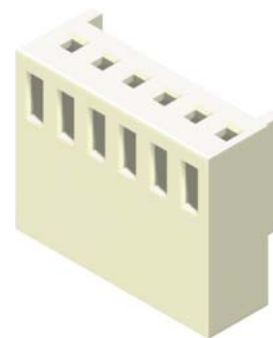
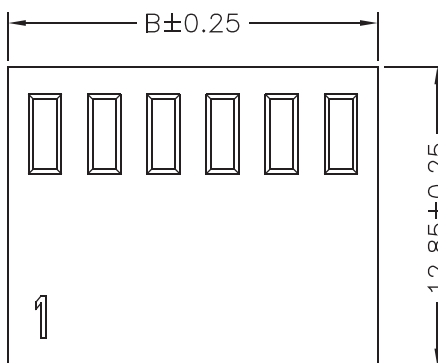
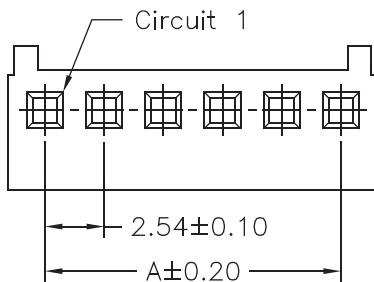
Part No.:2542-T-L

Part No.	Wire Range	Insulation O.D.	Material	Finish
2542-TTB-L	AWG#24-#30	1.57mm(max)	Brass	Tin Plated
2542-TGB-L	AWG#24-#30	1.57mm(max)	Brass	Gold Plated
2542-TTP-L	AWG#24-#30	1.57mm(max)	Phosphor Bronze	Tin Plated

Specifications

Current Rating: 4A AC,DC
 Voltage Rating: 250V AC,DC
 Temperature Range: -25°C to +85°C
 Contact Resistance: 10mΩ Max.
 Insulation Resistance: 1000MΩ Min.
 Withstanding Voltage: 1000V AC/minute
 Material: Nylon 66,UL94V-2

Part No.	Dimensions	
	A	B
2542H-02W-L	2.54	5.68
2542H-03W-L	5.08	8.22
2542H-04W-L	7.62	10.76
2542H-05W-L	10.16	13.30
2542H-06W-L	12.70	15.84
2542H-07W-L	15.24	18.38
2542H-08W-L	17.78	20.92
2542H-09W-L	20.32	23.46
2542H-10W-L	22.86	26.00
2542H-11W-L	25.40	28.54
2542H-12W-L	27.94	31.08
2542H-13W-L	30.48	33.62
2542H-14W-L	33.02	36.16
2542H-15W-L	35.56	38.70
2542H-16W-L	38.10	41.24
2542H-17W-L	40.64	43.78
2542H-18W-L	43.18	46.32
2542H-19W-L	45.72	48.86
2542H-20W-L	48.26	51.40



Part No.:2542H-XXW-L