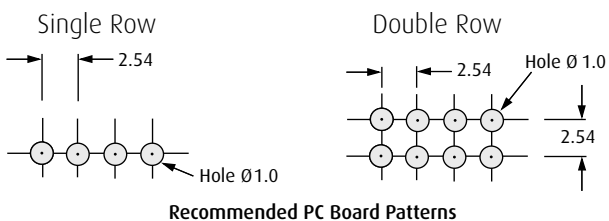
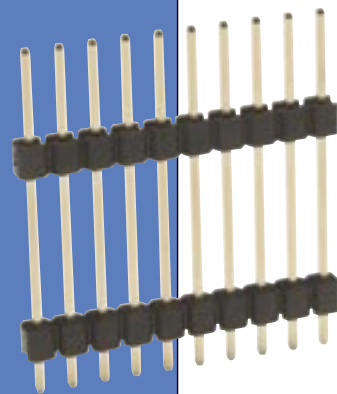


M20 Connectors

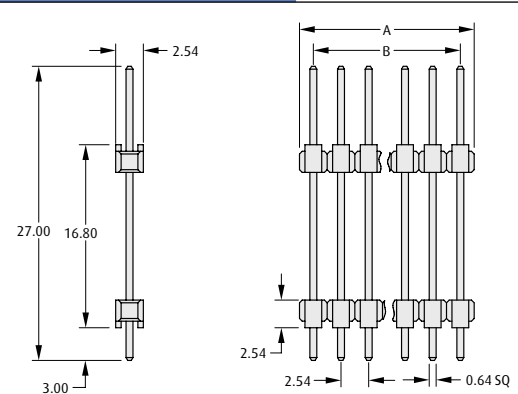
Vertical & Extended PC Tail Male Connectors

- ❖ Suitable for use with female connectors shown on pages 43 to 49.
- ❖ Unshrouded pin headers can be cut to smaller sizes.
- ❖ Additional Insulator on extended headers giving greater rigidity to ensure pin alignments and controls the board spacing.
- ❖ Contact technical@harwin.com for other size availability.

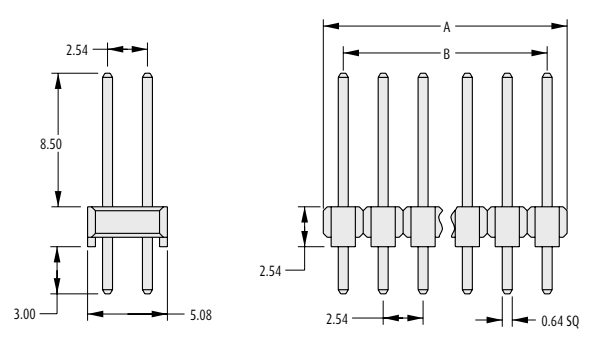


CALCULATION	
A	2.54 x No. of ways per row
B	2.54 x (No. of ways per row - 1)

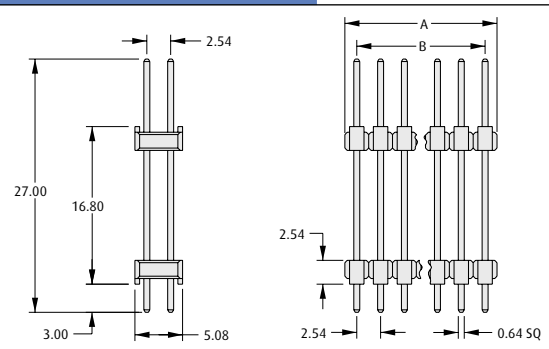
EXTENDED SINGLE ROW



DOUBLE ROW (For Bottom Entry Sockets)



EXTENDED DOUBLE ROW



HOW TO ORDER

M20 - 9 XX XX XX

SERIES CODE

CONNECTOR TYPE	
60	Extended Double Row
61	Extended Single Row
97	Vertical

NO. OF WAYS PER ROW	
M20-997	02 to 10, 20, 36
M20-96X	10, 15, 20, 25

FINISH	
05	Gold
06	Tin/Lead
45	Gold, Hi-Temp Mould
46	Tin

www.harwin.com

