



T-03-17

Schottky Barrier Rectifiers

Operating/Storage Temperature Range $-65^{\circ}\text{C} - 150^{\circ}\text{C}$

Type	Maximum Peak Reverse Voltage	Maximum Average Rectified Current @ Half-Wave Resistive Load 60Hz	Maximum Forward Peak Surge Current @ 8.3ms Superimposed	Maximum Reverse Current @ PRV	Maximum Forward Voltage @ $25^{\circ}\text{C} T_A$	
	PRV V_{PK}	$I_o @ T_c$ A_{AV}		$I_{FM} (\text{Surge})$ A_{PK}	$I_R @ T_c$ mAdc	I_{FM} A_{PK}

5.0 Ampere Schottky/T0-220A

NST520	20	5.0	115	100	5.0	25	5.0	0.55
NST530	30	5.0	115	100	5.0	25	5.0	0.55
NST545	45	5.0	115	100	5.0	25	5.0	0.55

NOTE: Suffix "R" for Reverse Polarity.

8.0 Ampere Schottky/T0-220A

SR802	20	8.0	90	200	1.0	25	8.0	0.71
SR803	30	8.0	90	200	1.0	25	8.0	0.71
SR804	40	8.0	90	200	1.0	25	8.0	0.71
SR805	50	8.0	115	200	1.0	25	8.0	0.71
SR806	60	8.0	115	200	1.0	25	8.0	0.71

NOTE: Suffix "R" for Reverse Polarity.

10 Ampere Schottky/T0-220A

SR1002	20	10	135	250	1.0	25	10	0.73
SR1003	30	10	135	250	1.0	25	10	0.73
SR1004	40	10	135	250	1.0	25	10	0.73
SR1005	50	10	135	250	1.0	25	10	0.73
SR1006	60	10	135	250	1.0	25	10	0.73

NOTE: Suffix "R" for Reverse Polarity.

10 Ampere Schottky/T0-220

NSR1020	20	10	105	100	5.0	25	5.0	0.55
NSR1030	30	10	105	100	5.0	25	5.0	0.55
NSR1045	45	10	105	100	5.0	25	5.0	0.55

NOTE: Standard type = Common Cathode, Common Anode = Suffix "A", Doubler Connection = Suffix "D"

16 Ampere Schottky/T0-220A

NST1625	20	16	115	250	5.0	25	16	0.72
NST1635	35	16	115	250	5.0	25	16	0.72
NST1645	45	16	115	250	5.0	25	16	0.72

NOTE: Suffix "R" for Reverse Polarity.

16/20 Ampere Schottky/T0-220

SR1602	20	16	90	200	1.0	25	8.0	0.71
SR1603	30	16	90	200	1.0	25	8.0	0.71
SR1604	40	16	90	200	1.0	25	8.0	0.71
SR1605	50	16	115	200	1.0	25	8.0	0.71
NST2025	25	20	135	250	1.0	25	20	0.86
NST2035	35	20	135	250	1.0	25	20	0.86
NST2045	45	20	135	250	1.0	25	20	0.86

NOTE: Standard type = Common Cathode, Common Anode = Suffix "A", Doubler Connection = Suffix "D"



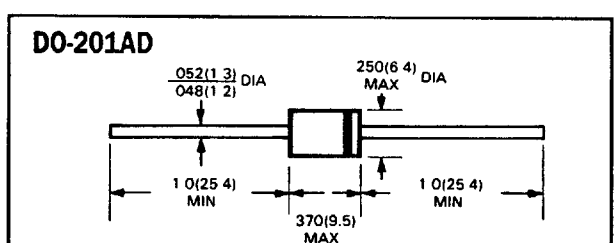
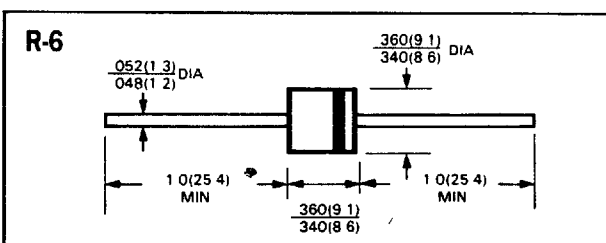
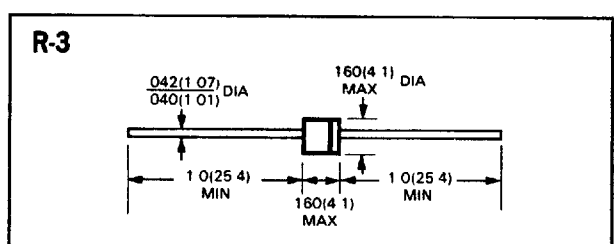
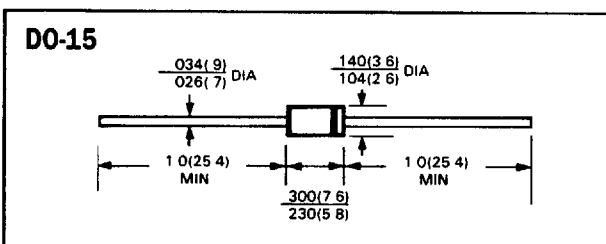
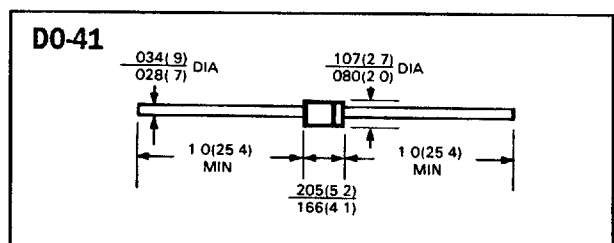
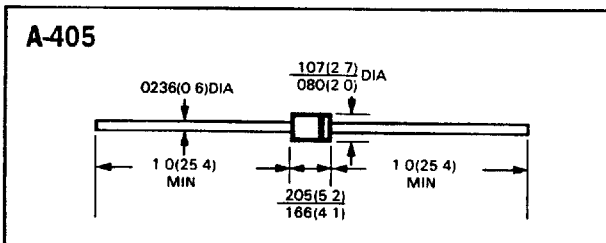
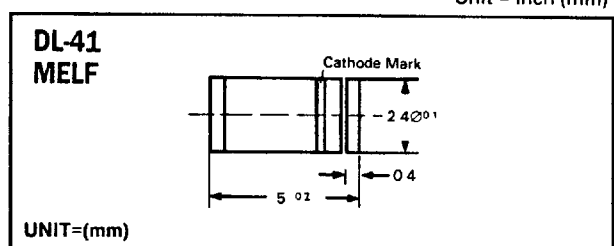
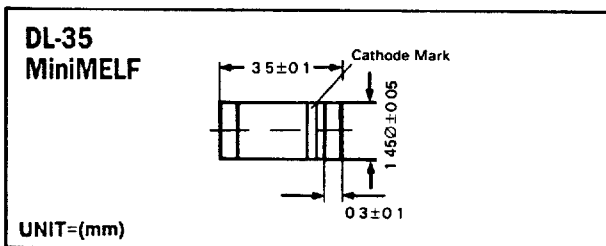
RECTIFIER DIODES AND
BRIDGE RECTIFIERS

4



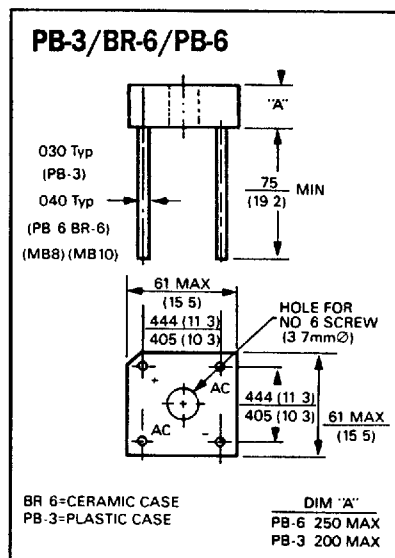
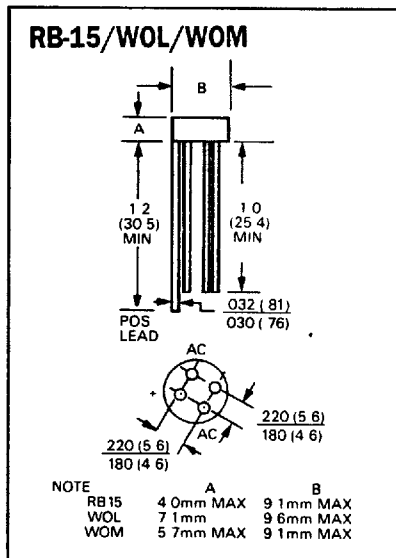
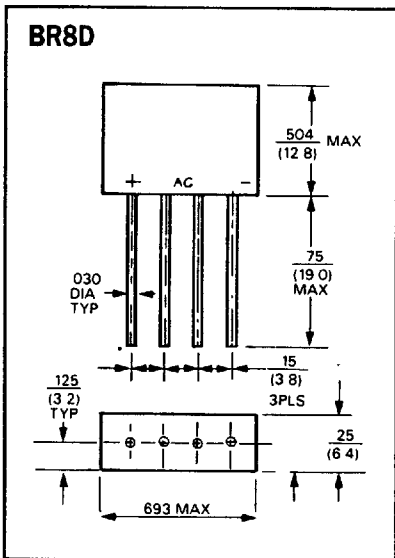
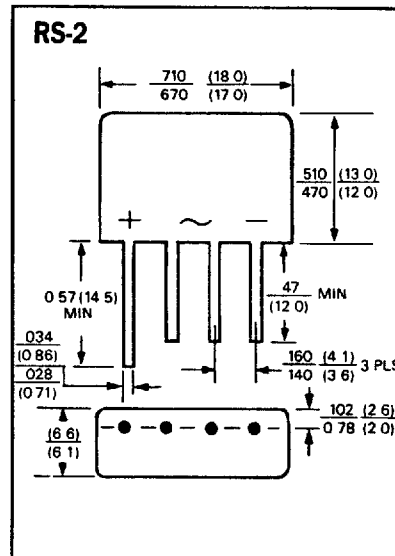
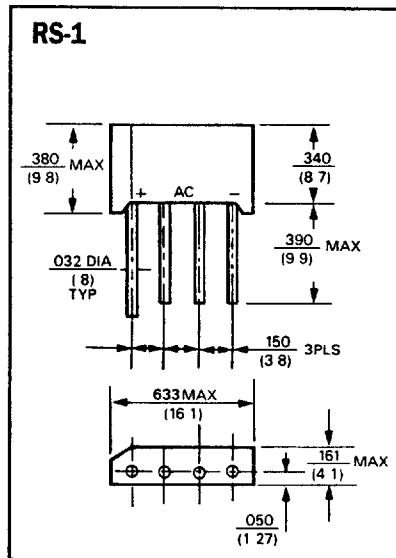
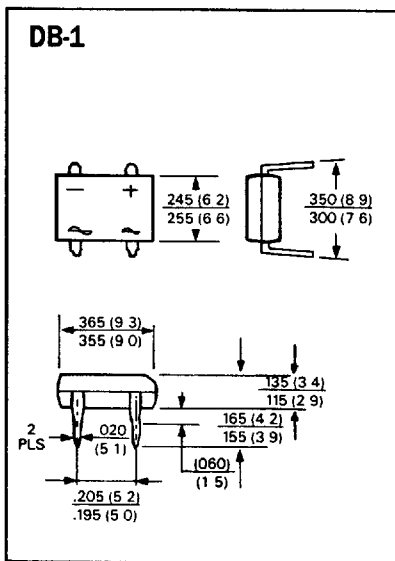
OUTLINE DRAWINGS

Unit = inch (mm)





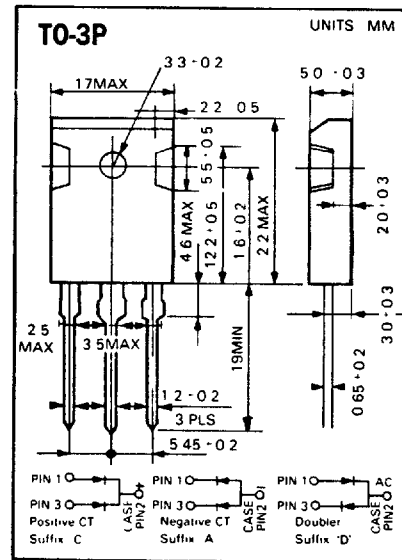
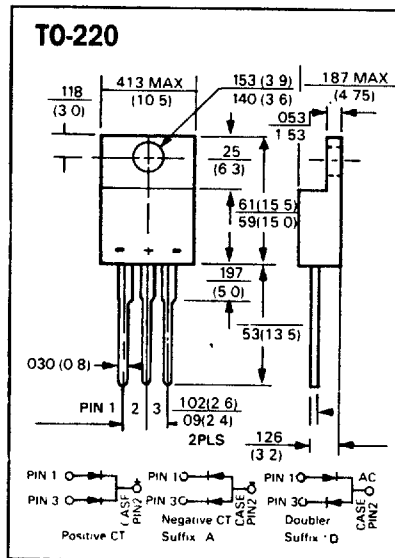
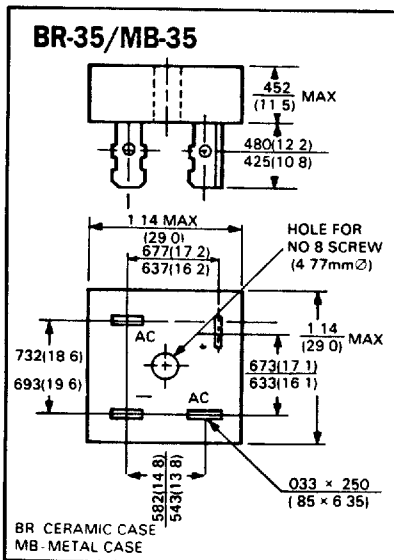
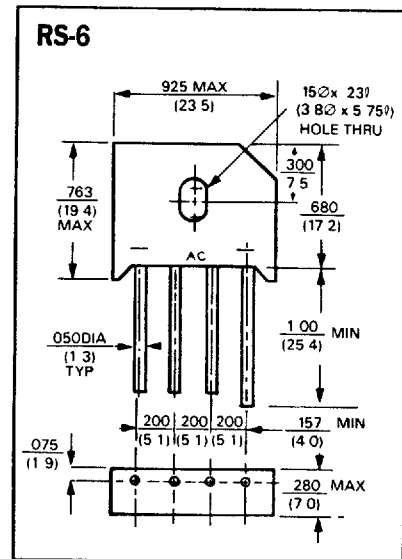
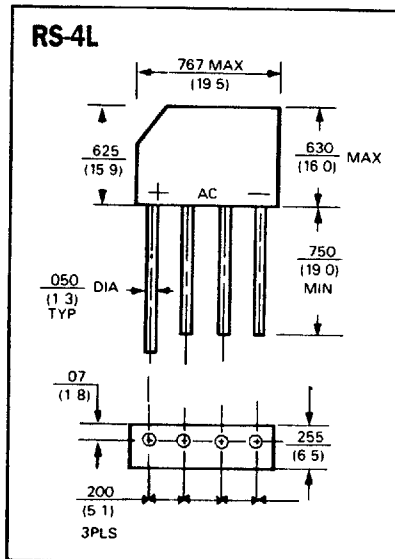
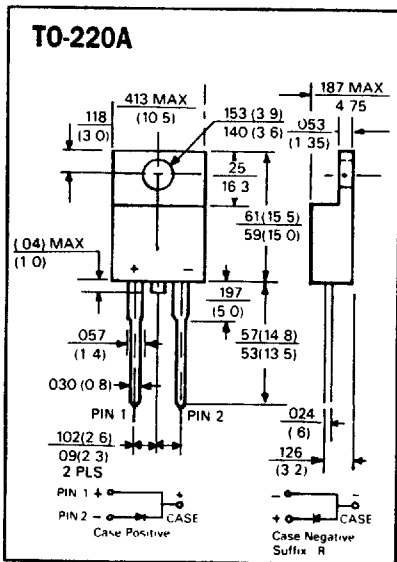
OUTLINE DRAWINGS



RECTIFIER DIODES AND BRIDGE RECTIFIERS

4

OUTLINE DRAWINGS



SEMITRON INDUSTRIES LTD

RECTIFIERS

Product Packaging Specifications

PACKAGING OF AXIAL LEAD DIODES, MELF AND MINI-MELF SURFACE MOUNT DEVICES AND TRANSISTORS

REEL PACK

OUTLINE	COMPONENT SPACE (mm)	TAPE SPACE (mm)	REEL DIA. (m/m)	QTY./REEL (each)
DO-7	5.0	52.4	330	10,000
DO-35	5.0	53	355	10,000
DO-35 (ZENER)	[RADIAL TAPING SEE FIG. 1, 2 & 3]		355	5,000
DL-35 (MINI MELF)	See Pg. 37		250/330	5,000/10,000
DL-41 (MELF)	See Pg. 37		330	5,000
A-405	5.0	52.4	330	5,000
A-500	5.0	52.4	203/254/304	1,000/2,000/3,000
DO-41	5.0	52.4	330	5,000
DO-41 (ZENER)	5.0	53	355	5,000
DO-15	5.0	52.4	330	4,000
R-3	5.0	52.4	330	3,000
DO-201AD	10.0	52.4	330	1,200
R-6	10.0	52.4	330	500
TO-92	[RADIAL TAPING SEE FIG. 4, 5 & 6]		355	2,000
TO-236/SOT-23	[SEE SPECIFICATIONS ON PG.38]		178	3,000

PACKAGING OF AXIAL LEAD DIODES AND LEADED TRANSISTORS

AMMO PACK

OUTLINE	COMPONENT SPACE (mm)	TAPE SPACE (mm)	BOX SIZE (m/m)	QTY./BOX (each)
DO-35 (SW. DIODES)	5.0	53	338/147/77	15,000
DO-35	5.0	53	255/95/85	6,000
DO-35	5.0	26	255/95/51	6,000
A-405	5.0	52.4	255/95/78	3,000
DO-41	5.0	52.4	255/95/78	3,000
DO-41	5.0	26	255/51/95	3,000
DO-41 (ZENER)	5.0	53	255/95/85	3,000
DO-41 (ZENER)	5.0	26	255/95/51	3,000
DO-15	5.0	52.4	255/95/78	2,200
R-3	5.0	52.4	255/95/78	2,000
DO-201AD	10.0	52.4	255/95/78	800
R-6	10.0	52.4	255/95/78	300
TO-92	[RADIAL TAPING, SEE FIG. 4]		340/340/45	4,000

RECTIFIER DIODES AND
BRIDGE RECTIFIERS

4

