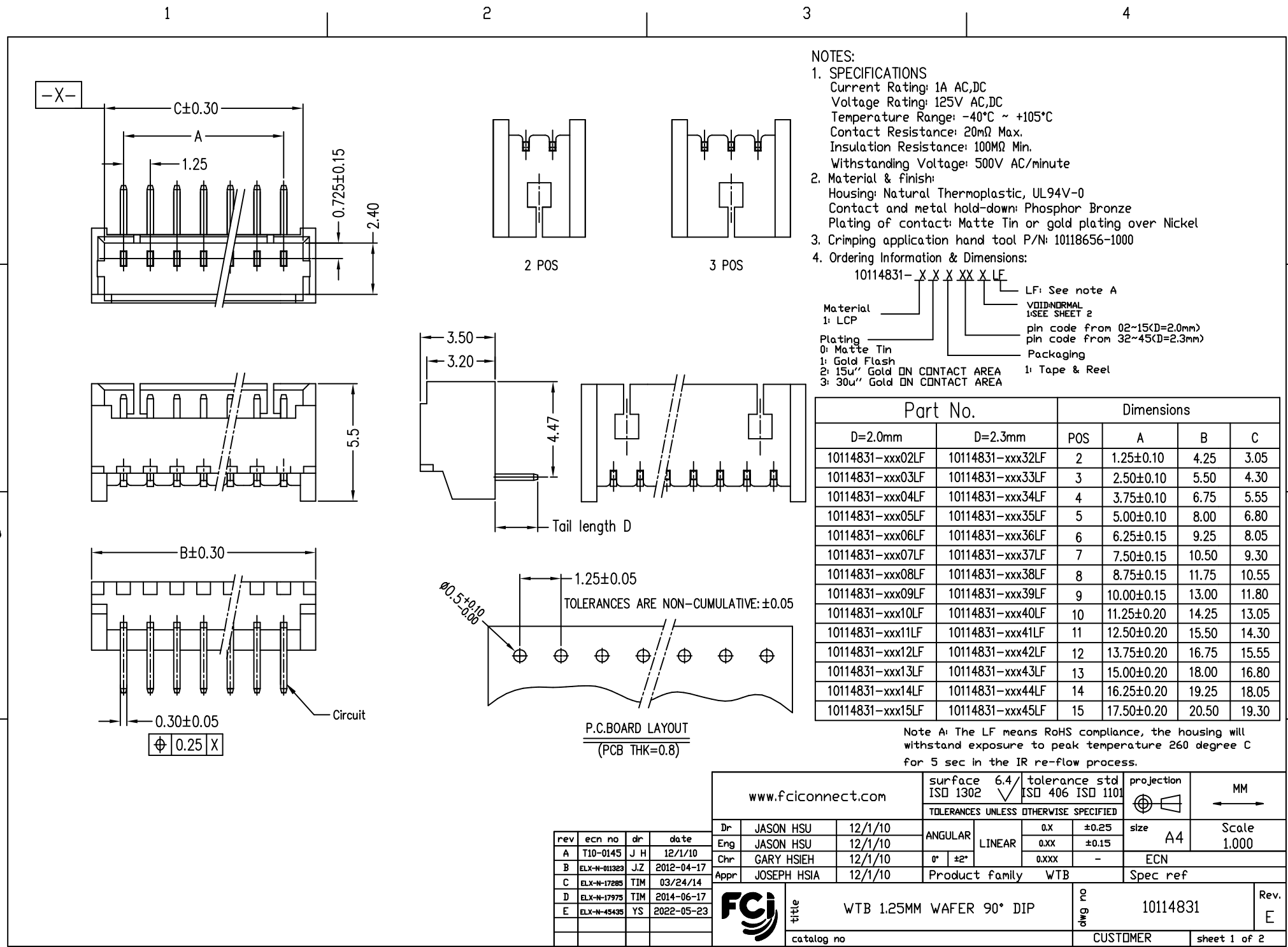




Copyright FCI.



- NOTES:
- SPECIFICATIONS  
 Current Rating: 1A AC,DC  
 Voltage Rating: 125V AC,DC  
 Temperature Range: -40°C ~ +105°C  
 Contact Resistance: 20mΩ Max.  
 Insulation Resistance: 100MΩ Min.  
 Withstanding Voltage: 500V AC/minute
  - Material & finish:  
 Housing: Natural Thermoplastic, UL94V-0  
 Contact and metal hold-down: Phosphor Bronze  
 Plating of contact: Matte Tin or gold plating over Nickel
  - Crimping application hand tool P/N: 10118656-1000
  - Ordering Information & Dimensions:  
 10114831- X X X XX X LF

Material  
 1: LCP  
 Plating  
 0: Matte Tin  
 1: Gold Flash  
 2: 15u" Gold IN CONTACT AREA  
 3: 30u" Gold IN CONTACT AREA

LF: See note A  
 VOID-NORMAL  
 1: SEE SHEET 2  
 pin code from 02-15(D=2.0mm)  
 pin code from 32-45(D=2.3mm)  
 Packaging  
 1: Tape & Reel

Part No.		Dimensions			
D=2.0mm	D=2.3mm	POS	A	B	C
10114831-xxx02LF	10114831-xxx32LF	2	1.25±0.10	4.25	3.05
10114831-xxx03LF	10114831-xxx33LF	3	2.50±0.10	5.50	4.30
10114831-xxx04LF	10114831-xxx34LF	4	3.75±0.10	6.75	5.55
10114831-xxx05LF	10114831-xxx35LF	5	5.00±0.10	8.00	6.80
10114831-xxx06LF	10114831-xxx36LF	6	6.25±0.15	9.25	8.05
10114831-xxx07LF	10114831-xxx37LF	7	7.50±0.15	10.50	9.30
10114831-xxx08LF	10114831-xxx38LF	8	8.75±0.15	11.75	10.55
10114831-xxx09LF	10114831-xxx39LF	9	10.00±0.15	13.00	11.80
10114831-xxx10LF	10114831-xxx40LF	10	11.25±0.20	14.25	13.05
10114831-xxx11LF	10114831-xxx41LF	11	12.50±0.20	15.50	14.30
10114831-xxx12LF	10114831-xxx42LF	12	13.75±0.20	16.75	15.55
10114831-xxx13LF	10114831-xxx43LF	13	15.00±0.20	18.00	16.80
10114831-xxx14LF	10114831-xxx44LF	14	16.25±0.20	19.25	18.05
10114831-xxx15LF	10114831-xxx45LF	15	17.50±0.20	20.50	19.30

Note A: The LF means RoHS compliance, the housing will withstand exposure to peak temperature 260 degree C for 5 sec in the IR re-flow process.

rev	ecn no	dr	date
A	T10-0145	J H	12/1/10
B	ELX-N-011323	JZ	2012-04-17
C	ELX-N-17285	TIM	03/24/14
D	ELX-N-17975	TIM	2014-06-17
E	ELX-N-45435	YS	2022-05-23

www.fciconnect.com			surface 6.4 / tolerance std ISO 1302 / ISO 406 ISO 1101	projection MM
TOLERANCES UNLESS OTHERWISE SPECIFIED			ANGULAR	size A4
Dr	JASON HSU	12/1/10	LINEAR	Scale 1.000
Eng	JASON HSU	12/1/10	0° ±2°	ECN
Chr	GARY HSIEH	12/1/10	Product family	WTB
Appr	JOSEPH HSIA	12/1/10	Product family	WTB
FCI			title	Rev. E
catalog no			WTB 1.25MM WAFER 90° DIP	10114831
			CUSTOMER	sheet 1 of 2

1

2

3

4

A

B

C

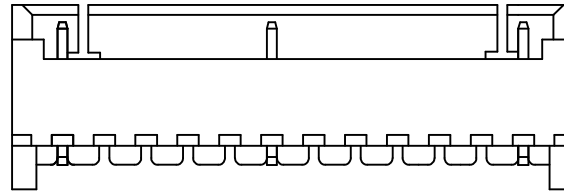
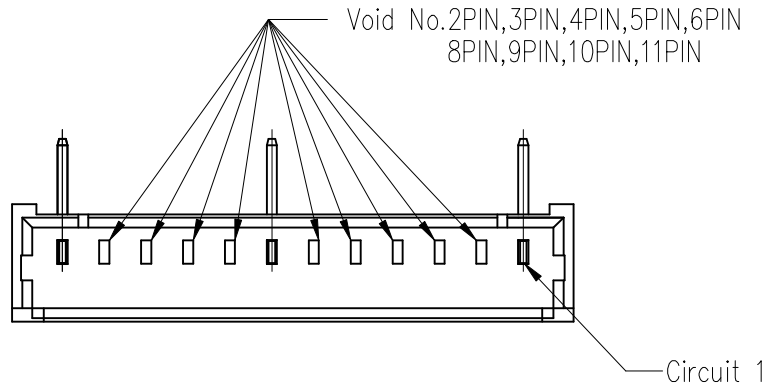
D

A

B

C

D



10114831-XXXXX1LF



Copyright FCI.

REV F - 2006-04-17

rev	ecn no	dr	date
E			

www.fciconnect.com			surface 6.4 / ISO 1302	tolerance std ISO 406 ISO 1101	projection	MM	
			TOLERANCES UNLESS OTHERWISE SPECIFIED				
Dr	JASON HSU	12/1/10	ANGULAR	0.X	±0.25	size A4	Scale 1.000
Eng	JASON HSU	12/1/10		LINEAR	0.XX		
Chr	GARY HSIEH	12/1/10	0° ±2°	0.XXX	-	ECN	
Appr	JOSEPH HSIA	12/1/10	Product family		WTB	Spec ref	
			title			Rev.	
			WTB 1.25MM WAFER 90° DIP			E	
			catalog no			sheet 2 of 2	
			CUSTOMER				

1

2

3

4

PDS: Rev :E

STATUS:Released

Printed: Aug 14, 2022