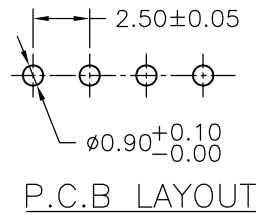
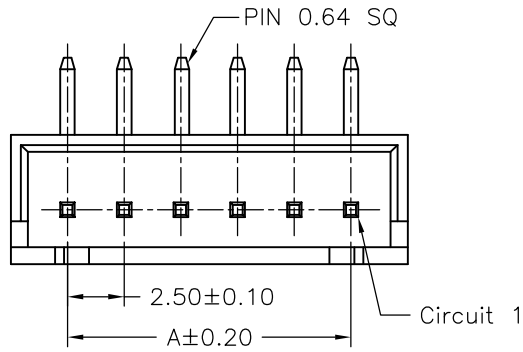


SPECIFICATIONS
 Current Rating: 3A AC,DC
 Voltage Rating: 250V AC,DC
 Temperature Range: -25°C ~ +85°C
 Contact Resistance: 10mΩ Max
 Insulation Resistance: 1000MΩ Min
 Withstanding Voltage: 1000V AC/minute
 Pin Material: Brass/Tin-plated
 Material: Nylon 66,UL94V-0
 Color: Natural(White)

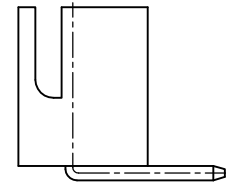
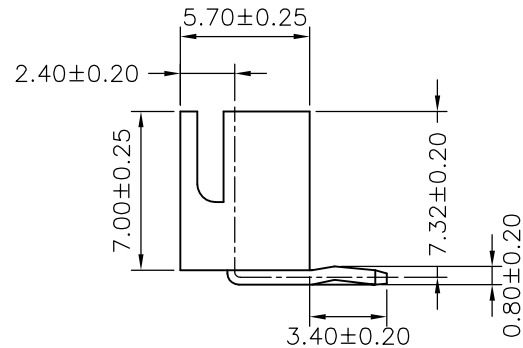
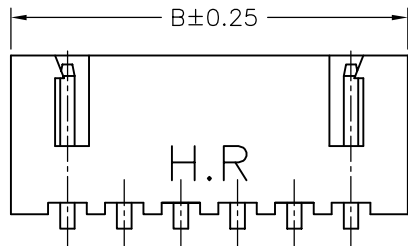


Ordering Information:
A2501WVR-XP *
 1 2

- 1.Part No.
 2.Style:
 1-Type 1
 2-Type 2

Ordering Information & Dimensions

PART NO.	Dimensions	
	A	B
A2501WVR-02P	2.50	7.50
A2501WVR-03P	5.00	10.00
A2501WVR-04P	7.50	12.50
A2501WVR-05P	10.00	15.00
A2501WVR-06P	12.50	17.50
A2501WVR-07P	15.00	20.00
A2501WVR-08P	17.50	22.50
A2501WVR-09P	20.00	25.00
A2501WVR-10P	22.50	27.50
A2501WVR-11P	25.00	30.00
A2501WVR-12P	27.50	32.50
A2501WVR-13P	30.00	35.00
A2501WVR-14P	32.50	37.50
A2501WVR-15P	35.00	40.00
A2501WVR-16P	37.50	42.50
A2501WVR-17P	40.00	45.00
A2501WVR-18P	42.50	47.50
A2501WVR-19P	45.00	50.00
A2501WVR-20P	47.50	52.50



TYPE 2

TYPE 1

		UNIT	SCALE	SHEET	TITLE:
		mm		1 of 1	2.50mm PITCH 90° WAFER
		DRAWN BY	APPROVED BY		
		李勤 2006.05.17	董正一 2006.05.17		
		GENERAL TOLERANCE			
A1	REVISE	2007.03.07	X. X±0.25	ANGLE±	DRAW NO. : A2501WVR-XPX
A0	NEW RELEASE	2006.05.17	X. XX±0.15		
REV.	DESCRIPTION	DATE	X. XXX±0.05		
					REV. A1