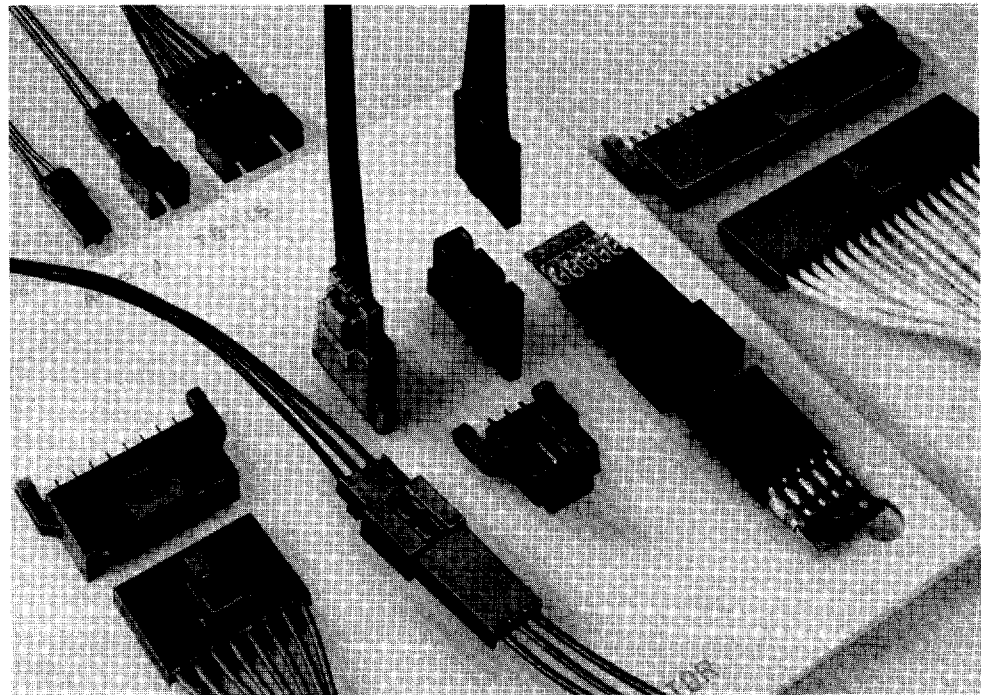


## AMP Single-Row Linear (ASL) Connectors (Wire-to-Board, Wire-to-Wire)

### Features

- Wire-to-wire and wire-to-board connectors
- 2.54 [.100] centerline pitch
- Receptacle and cap housings are halfway loaded with insulation displacement type contacts
- Accept 2 wire size ranges, 0.08-0.15 mm<sup>2</sup> [28-26 AWG] and 0.2 mm<sup>2</sup> [24 AWG]
- Post header features self retaining leg
- Receptacle connectors mate with either cap connectors or post headers
- Housings available in three colors; black, blue, and red
- Mass termination
- Positive locking for easy mating and unmating



AMP ASL Connectors are a complete Printed Circuit Board Interconnection System with a 2.54 [.100] pitch centerline. Receptacle housings and cap housings are provided with partially loaded receptacle and pin contacts. The contacts are fully inserted into each housing upon wire termination.

Wires are mass terminated using the insulation displacement crimp technique with manual and pneumatic arbor tools or with the DECAM III (Double Ended Cable Assembly) Machine.

The DECAM III Machine with the programmable connector autoloader enables production of multiple type

wire harnesses automatically. Post header assemblies have PC board locks on both sides of the headers so that the headers can be held in position until permanently secured by soldering.

Receptacle connectors with positive locking can mate with both caps and post headers with a low mating force. Two contact sizes are provided to accept two wire ranges of 0.08-0.15 mm<sup>2</sup> [28-26 AWG] and 0.2 mm<sup>2</sup> [24 AWG].

All housings are available in three colors, black, blue, and red. Available positions of housings are 2, 3, 4, 5, 6, 8, 10, 12, 16 and 20 positions.

### Performance Data

**Voltage Rating**—250VAC/DC

**Current Rating**—

- 1.5A (0.08-0.09 mm<sup>2</sup> [28 AWG] wire)
- 2.0A (0.12-0.15 mm<sup>2</sup> [26 AWG] wire)
- 3.0A (0.2 mm<sup>2</sup> [24 AWG] wire)

**Operating Temperature**—  
-30°C to +105°C

**Overall Low Level Resistance**—  
10mΩ max. (initial)

**Insulation Resistance**—  
500MΩ min.

**Withstand Voltage**—  
600V AC (for one minute)

**Note:** Dimensions are expressed in millimeters; values in brackets are inch equivalents.

D 95E ■ 0797312 0029174 343 ■

Dimensions are shown for reference purposes only.

Dimensions are in millimeters and inches unless specified otherwise. Values in brackets are equivalent U.S. customary units. Chart dimensions are in millimeters over inches.

For drawings, technical data or samples, contact your AMP sales engineer or call the AMP Product Information Center: 1-800-522-6752.

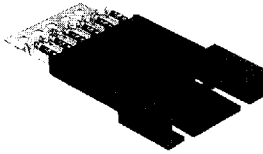
Specifications subject to change. Consult AMP Incorporated for latest specifications.

AMP Single-Row Linear (ASL) Connectors

## ASL Connectors (Continued)

### Cap Housing Assemblies

(Preloaded with Insulation Displacement Pin Contact Halfway)



#### Material and Finish:

**Housing**—UL 94V-0 rated, glass-filled P.B.T. (See chart for color)

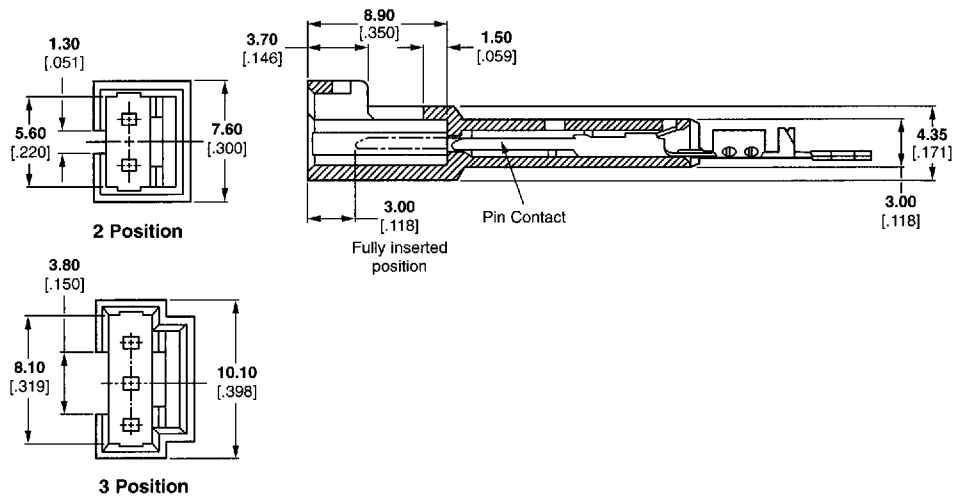
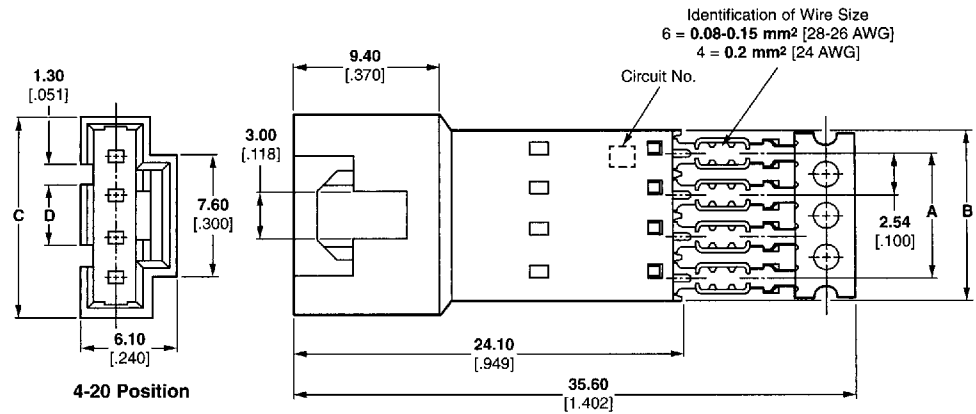
**Contact**—Pre-tin brass

#### Applicable Wire Conductor:

Solid (with tin plated) 7-stranded (with tin plated) and tin coating stranded

#### Technical Documents:

Page 214



**Note:** Dimensions are expressed in millimeters; values in brackets are inch equivalents.

## ASL Connectors (Continued)

Wire Range		Insulation Diameter	No. of Pos.	Dimensions				Part Nos.							
AWG	mm <sup>2</sup>			A	B	C	D	Black*	Blue*	Red*	Green*	Orange*			
28-26	[0.08-0.15]	0.9-1.35 [.035-.053]	2	2.54 .100	—	—	—	173116-2	2-173116-2	4-173116-2	6-173116-2	8-173116-2			
			3	5.08 .200	—	—	—	173116-3	2-173116-3	4-173116-3	6-173116-3	8-173116-3			
			4	7.62 .300	10.70 .420	12.70 .500	3.80 .150	173116-4	2-173116-4	4-173116-4	6-173116-4	8-173116-4			
			5	10.16 .400	13.20 .520	15.20 .600	6.40 .250	173116-5	2-173116-5	4-173116-5	6-173116-5	8-173116-5			
			6	12.70 .500	15.80 .620	17.80 .700	8.90 .350	173116-6	2-173116-6	4-173116-6	6-173116-6	8-173116-6			
			8	17.78 .700	20.80 .820	22.80 .900	14.00 .550	173116-8	2-173116-8	4-173116-8	6-173116-8	8-173116-8			
			10	22.86 .900	25.90 1.020	27.90 1.100	19.10 .750	1-173116-0	3-173116-0	5-173116-0	—	—			
			12	27.94 1.100	31.00 1.220	33.00 1.300	24.10 .950	1-173116-2	3-173116-2	5-173116-2	—	—			
			16	38.10 1.500	41.20 1.620	43.20 1.700	34.30 1.350	1-173116-6	3-173116-6	5-173116-6	—	—			
			20	48.26 1.900	51.30 2.020	53.30 2.100	44.50 1.750	2-173116-0	4-173116-0	6-173116-0	—	—			
			24	[0.2-0.22]	0.9-1.35 [.035-.053]	2	2.54 .100	—	—	—	173124-2	2-173124-2	4-173124-2	6-173124-2	8-173124-2
						3	5.08 .200	—	—	—	173124-3	2-173124-3	4-173124-3	6-173124-3	8-173124-3
4	7.62 .300	10.70 .420				12.70 .500	3.80 .150	173124-4	2-173124-4	4-173124-4	6-173124-4	8-173124-4			
5	10.16 .400	13.20 .520				15.20 .600	6.40 .250	173124-5	2-173124-5	4-173124-5	6-173124-5	8-173124-5			
6	12.70 .500	15.80 .620				17.80 .700	8.90 .350	173124-6	2-173124-6	4-173124-6	6-173124-6	8-173124-6			
8	17.78 .700	20.80 .820				22.80 .900	14.00 .550	173124-8	2-173124-8	4-173124-8	6-173124-8	8-173124-8			
10	22.86 .900	25.90 1.020				27.90 1.100	19.10 .750	1-173124-0	3-173124-0	5-173124-0	—	—			
12	27.94 1.100	31.00 1.220				33.00 1.300	24.10 .950	1-173124-2	3-173124-2	5-173124-2	—	—			
16	38.10 1.500	41.20 1.620				43.20 1.700	34.30 1.350	1-173124-6	3-173124-6	5-173124-6	—	—			
20	48.26 1.900	51.30 2.020				53.30 2.100	44.50 1.750	2-173124-0	4-173124-0	6-173124-0	—	—			

\*Housing colors.

**Note:** Dimensions are expressed in millimeters; values in brackets are inch equivalents. Chart dimensions are in millimeters over inches.

D 95E ■ 0797312 0029178 T99 ■

Dimensions are shown for reference purposes only.

Dimensions are in millimeters and inches unless specified otherwise. Values in brackets are equivalent U.S. customary units. Chart dimensions are in millimeters over inches.

For drawings, technical data or samples, contact your AMP sales engineer or call the AMP Product Information Center: 1-800-522-6752.

Specifications subject to change. Consult AMP Incorporated for latest specifications.