

METAL SHELL "D" CONNECTOR LOW PROFILE 9-37 POSITION PINS



LR92984 E60980

PHYSICAL PROPERTIES

INSULATION MATERIAL: Glass filled thermoplastic rated UL 94V-0

COLOR: Blue

CONTACT MATERIAL: Beryllium copper; 30µ inches min. gold over 50µ nickel in contact zone; nickel in contact zone; tin/lead over nickel in termination area.

METAL SHELL: Steel with tin plating

ELECTRICAL PROPERTIES

CURRENT RATING: 1 Amp

INSULATION RESISTANCE: >1000 Megohms

DIELECTRIC STRENGTH: >1000 VRMS at sea level

ENVIRONMENTAL PROPERTIES

TEMPERATURE RATING: -55°C TO 125°C

APPLICATION TOOLING

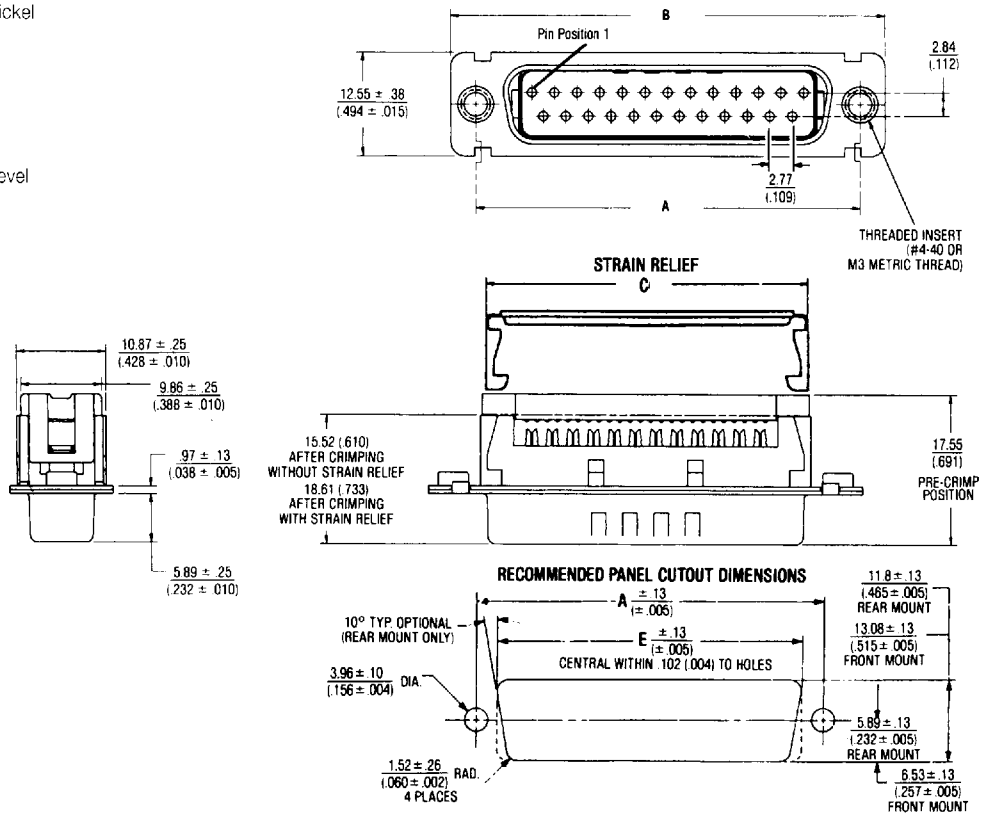
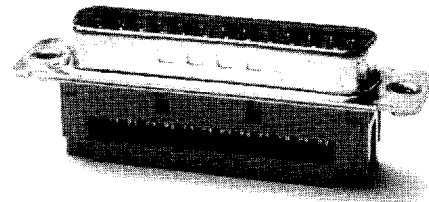
HAND TOOL	779-2100
with Die	779-2179
BENCH PRESS (MANUAL)	779-3200
with Platen	779-3130
with Base Plate	779-3179
BENCH PRESS (PNEUMATIC)	779-3500XT
with Platen	779-3130
with Base Plate	779-3179

ACCESSORIES

See page 78, 80-82

CABLE

See pages 102-110



Ordering Information

CATALOG NUMBERS	NO. OF POS.	A	B	STRAIN RELIEF CATALOG NO.	C	E
622-09PM (w/.125 Thru Hole)						
622-09PM1 (w/4-40 Flush Threaded Insert)	9	24.99 (.984)	30.81 (1.213)	622-09 SR	19.20 (.756)	19.46 (.766)
622-09PM2 (w/M3 Flush Threaded Insert)						
622-15PM (w/.125 Thru Hole)						
622-15PM1 (w/4-40 Flush Threaded Insert)	15	33.32 (1.312)	39.14 (1.541)	622-15 SR	27.51 (1.083)	27.76 (1.093)
622-15PM2 (w/M3 Flush Threaded Insert)						
622-25PM (w/.125 Thru Hole)						
622-25PM1 (w/4-40 Flush Threaded Insert)	25	47.04 (1.852)	53.04 (2.088)	622-25 SR	41.30 (1.626)	41.61 (1.638)
622-25PM2 (w/M3 Flush Threaded Insert)						
622-37PM (w/.125 Thru Hole)						
622-37PM1 (w/4-40 Flush Threaded Insert)	37	63.50 (2.500)	69.31 (2.729)	622-37 SR	57.96 (2.282)	58.09 (2.287)
622-37PM2 (w/M3 Flush Threaded Insert)						