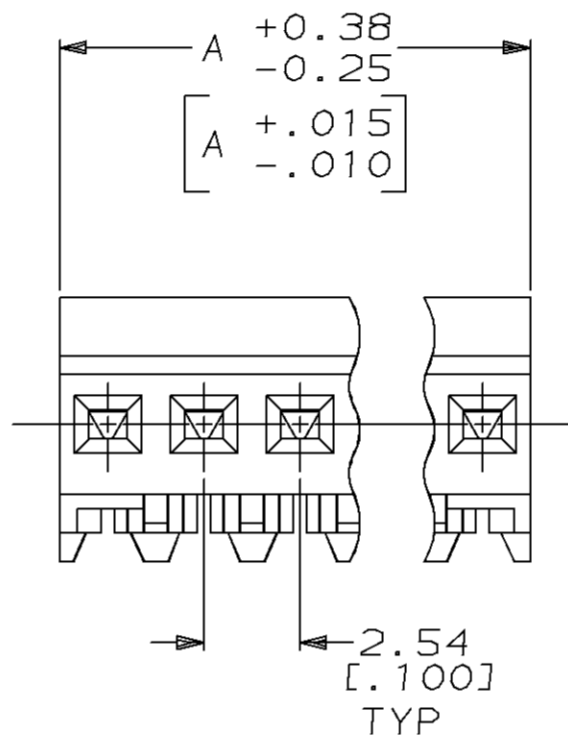
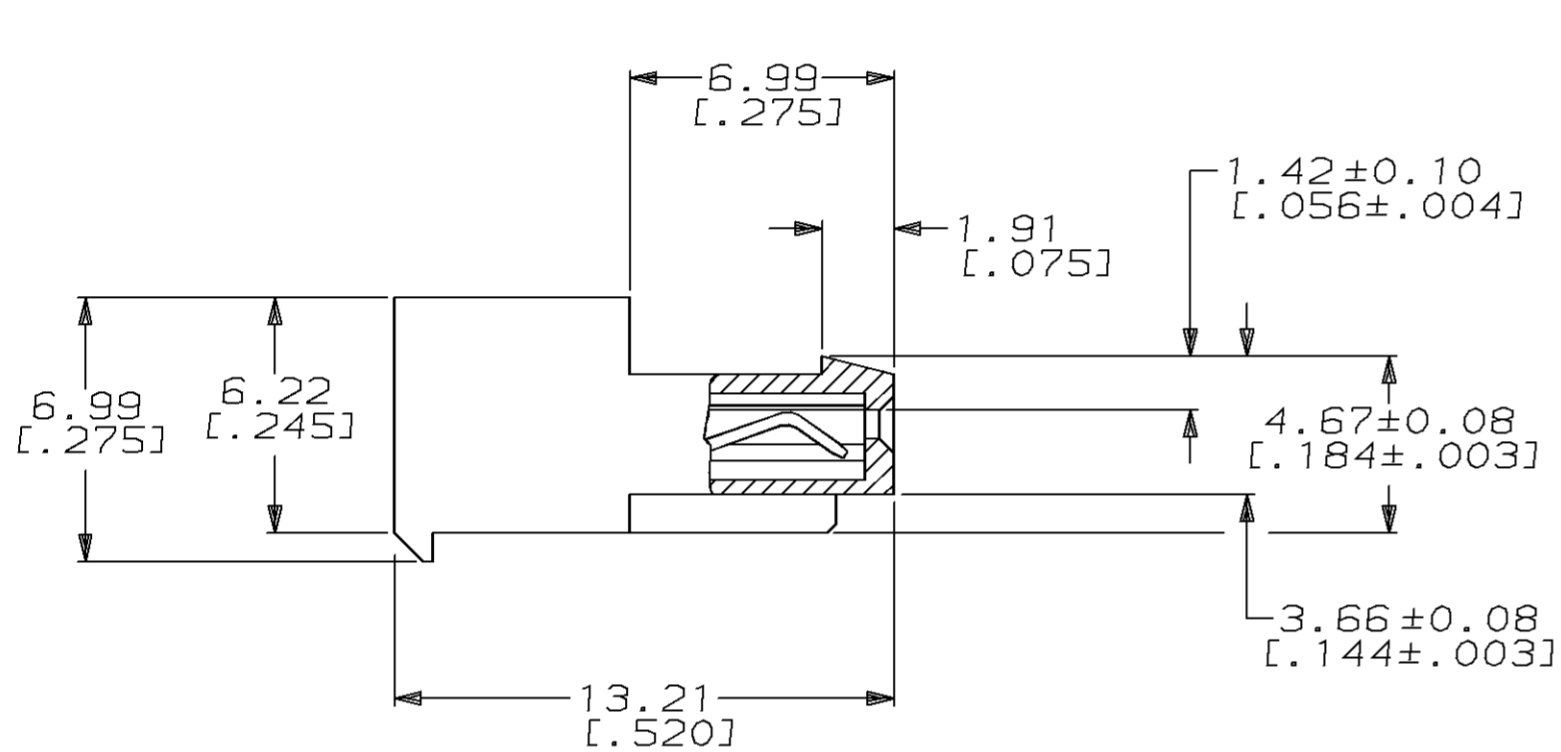
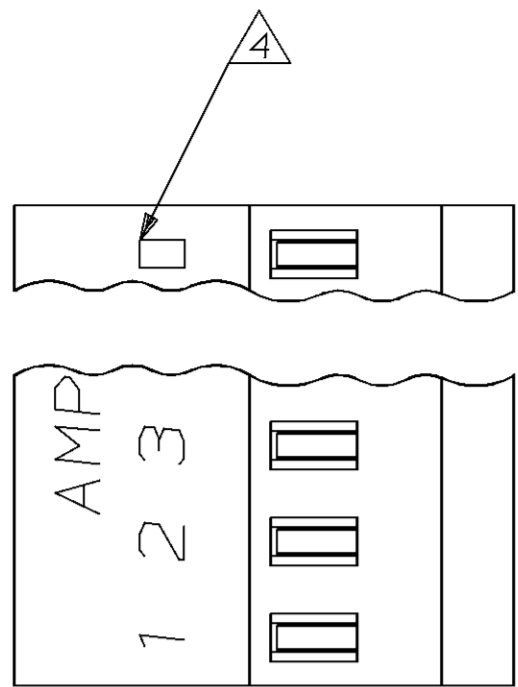


THIS DRAWING IS UNPUBLISHED. RELEASED FOR PUBLICATION ,19 .
 © COPYRIGHT 19 BY AMP INCORPORATED. ALL INTERNATIONAL RIGHTS RESERVED.

LOC	DIST	P	F	ZONE	LTR	REVISIONS	DATE	APPD
CM	54				H	REACT -2, -4, -5, -6, -8, 10 THRU -28 PER EC 0730-0095-96	5-21-96	BL RS



71.12	[2.800]	28	2-641240-8
68.58	[2.700]	27	2-641240-7
66.04	[2.600]	26	2-641240-6
63.50	[2.500]	25	2-641240-5
60.96	[2.400]	24	2-641240-4
58.42	[2.300]	23	2-641240-3
55.88	[2.200]	22	2-641240-2
53.34	[2.100]	21	2-641240-1
50.80	[2.000]	20	2-641240-0
48.26	[1.900]	19	1-641240-9
45.72	[1.800]	18	1-641240-8
43.18	[1.700]	17	1-641240-7
40.64	[1.600]	16	1-641240-6
38.10	[1.500]	15	1-641240-5
35.56	[1.400]	14	1-641240-4
33.02	[1.300]	13	1-641240-3
30.48	[1.200]	12	1-641240-2
27.94	[1.100]	11	1-641240-1
25.40	[1.000]	10	1-641240-0
22.86	[.900]	9	641240-9
20.32	[.800]	8	641240-8
17.78	[.700]	7	641240-7
15.24	[.600]	6	641240-6
12.70	[.500]	5	641240-5
10.16	[.400]	4	641240-4
7.62	[.300]	3	641240-3
5.08	[.200]	2	641240-2

1 MATERIAL: CONNECTOR - NYLON UL94V-2 (GREEN).
 CONTACTS - 0.30[.012] THICK COPPER ALLOY
 (0.00076 [.000030] GOLD)

- CONTACTS ACCEPT 28 AWG WIRE WITH 1.52[.060] MAX INSULATION DIAMETER.
- CONTACTS MUST ACCEPT 0.64±0.03[.025±.001] SQUARE POST AND REMAIN LOCKED IN POSITION.

4 IDENTIFICATION NUMBER FOR LAST CIRCUIT MAY NOT APPEAR ON ALL ASSEMBLIES.

- DIMENSIONS IN BRACKETS ARE IN INCHES.
- HOUSING FEATURES ARE: CLOSED END WITH LOCKING RAMP.

		DIM A	NO OF CIRCUITS	PART NO
DO NOT SCALE PRINT. UNLESS SPECIFIED DIMENSIONS IN mm [INCHES] TOLERANCES ON : 2 PLC DEC ± - 3 PLC DEC ± 0.13 [.005] ANGLES ± -		AMP Incorporated Harrisburg, PA 17105-3608		
MATERIAL 1		NAME MTA-100 CONNECTOR ASSEMBLY, 28 AWG, STANDARD		
FINISH 1		SIZE C	CAGE CODE 00779	DRAWING NO 641240
		SCALE 5:1	SHEET 1 OF 1	

METRIC