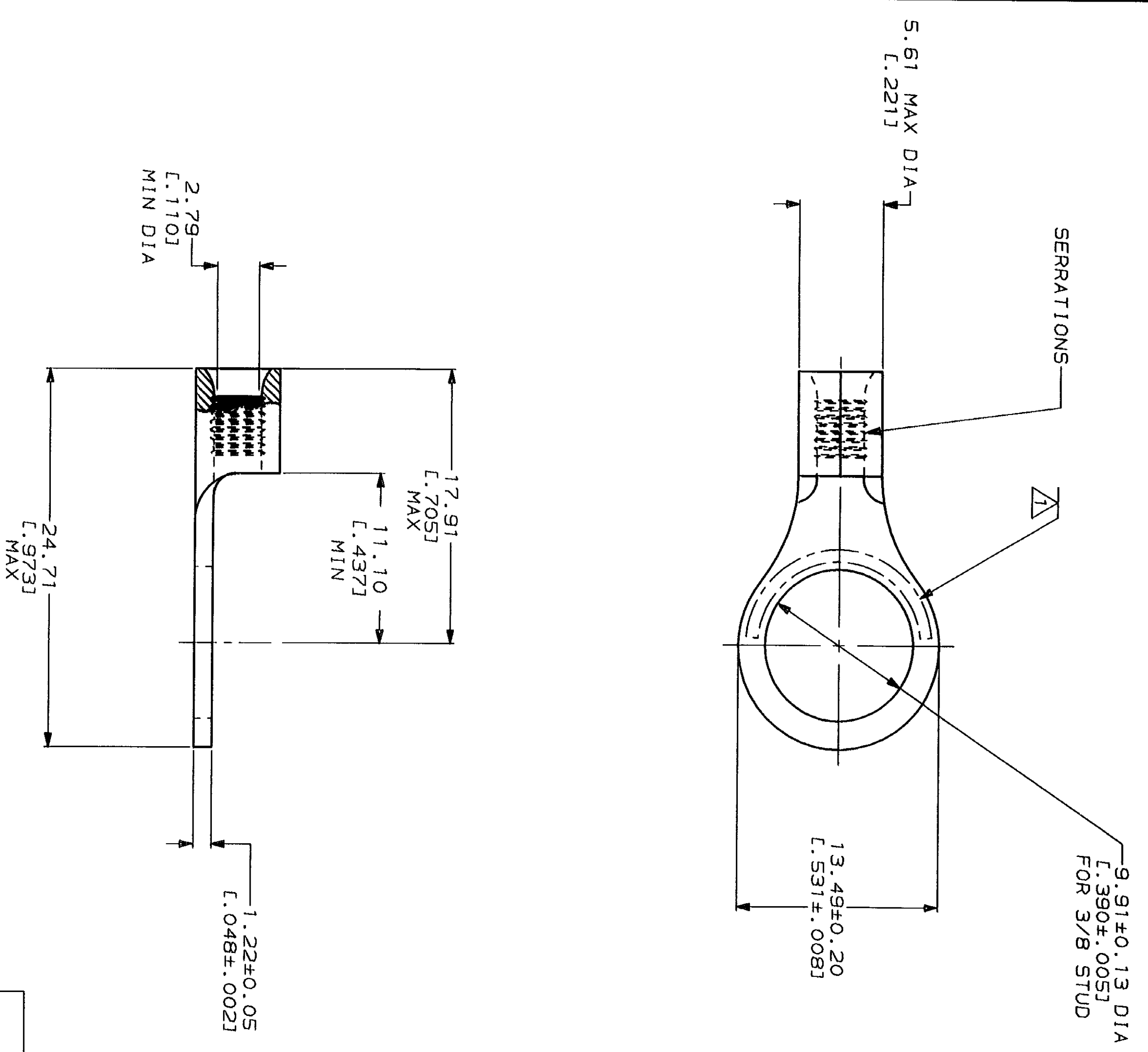


LOC	DIST	P	F	ZONE	LTR	REVISIONS	DESCRIPTION	DATE	APPD
G	14				0	RELEASED PER 0720-0008-93		2-1-93	1 st DAP

METPRIG
 DIMENSIONS LISTED IN mm [INCHES]

AMP WIRE RANGE	UL E13288 Listed
16-14HD AWG STRANDED	16-14HD AWG STRANDED
LR7189 Certified	MILITARY P/N AND CLASS
NOT CERTIFIED	NOT APPLICABLE

△ STAMP AMP 16-14HD* APPROX AS SHOWN



**AMP INCORPORATED
 CUSTOMER SERVICE SYSTEMS**

FOR ADDITIONAL PRODUCT INFORMATION OR COPIES OF DRAWINGS AND TECHNICAL DOCUMENTS	PRODUCT INFORMATION CENTER 1-800-522-6752
FOR APPLICATION TOOLING INFORMATION	TOOLING ASSISTANCE CENTER 1-800-722-1111
FOR ORDER ENTRY	1-800-526-5142

MAX RECOMMENDED OPERATING TEMPERATURE: 170°C MAX
 VOLTAGE RATING: NOT APPLICABLE
 WIRE CROSS SECTIONAL AREA RANGE: 1.04-2.62mm² [2.050-5.180] CIR MILS STRANDED

DO NOT SCALE PRINT. UNLESS SPECIFIED DIMENSIONS IN INCHES— TOLERANCES ON: 1 PLC DEC # 2 PLC DEC # 3 PLC DEC # ANGLES MATERIAL COPPER PER ASTM B-152 ANNEALED FINISH TIN PLATE 0.00254 [1.000100] MIN THK PER MIL-T-10727

DR 2-1-93 TA BRINKMAN	CHK 2-1-93 DA PATTERSON
APPD 2-1-93 DE MILLER	APPD 2-1-93 JL MECKLEY
PRODUCT SPEC	APPLICATION SPEC
WEIGHT	

AMP AMP Incorporated Harrisburg, PA 17105-3608	NAME TERMINAL, RING TONGUE, HEAVY DUTY, BUDGET
SIZE CAGE CODE 00779	DRAWING NO 33648
SCALE 4:1	SHEET 1 OF 1