

ON Semiconductor

Is Now

onsemi™

To learn more about onsemi™, please visit our website at
www.onsemi.com

onsemi and **onsemi** and other names, marks, and brands are registered and/or common law trademarks of Semiconductor Components Industries, LLC dba "**onsemi**" or its affiliates and/or subsidiaries in the United States and/or other countries. **onsemi** owns the rights to a number of patents, trademarks, copyrights, trade secrets, and other intellectual property. A listing of **onsemi** product/patent coverage may be accessed at www.onsemi.com/site/pdf/Patent-Marking.pdf. **onsemi** reserves the right to make changes at any time to any products or information herein, without notice. The information herein is provided "as-is" and **onsemi** makes no warranty, representation or guarantee regarding the accuracy of the information, product features, availability, functionality, or suitability of its products for any particular purpose, nor does **onsemi** assume any liability arising out of the application or use of any product or circuit, and specifically disclaims any and all liability, including without limitation special, consequential or incidental damages. Buyer is responsible for its products and applications using **onsemi** products, including compliance with all laws, regulations and safety requirements or standards, regardless of any support or applications information provided by **onsemi**. "Typical" parameters which may be provided in **onsemi** data sheets and/or specifications can and do vary in different applications and actual performance may vary over time. All operating parameters, including "Typicals" must be validated for each customer application by customer's technical experts. **onsemi** does not convey any license under any of its intellectual property rights nor the rights of others. **onsemi** products are not designed, intended, or authorized for use as a critical component in life support systems or any FDA Class 3 medical devices or medical devices with a same or similar classification in a foreign jurisdiction or any devices intended for implantation in the human body. Should Buyer purchase or use **onsemi** products for any such unintended or unauthorized application, Buyer shall indemnify and hold **onsemi** and its officers, employees, subsidiaries, affiliates, and distributors harmless against all claims, costs, damages, and expenses, and reasonable attorney fees arising out of, directly or indirectly, any claim of personal injury or death associated with such unintended or unauthorized use, even if such claim alleges that **onsemi** was negligent regarding the design or manufacture of the part. **onsemi** is an Equal Opportunity/Affirmative Action Employer. This literature is subject to all applicable copyright laws and is not for resale in any manner. Other names and brands may be claimed as the property of others.

STK681-310N-E

Forward / Reverse DC Motor Driver Intelligent Power Module (IPM)

Overview

Reversible direction DC brush motor driver with current control function

Application

Copying machine, printer, etc. for office use

Features

- Forward, reverse, and braking operations can be controlled with external input signals.
- Provides a startup output current of 4.2 A and supports a peak braking output current of 8 A.
- Built-in current detection resistor (0.1 Ω) and supports constant-current control.
- Does not require design of a dead time period in which the high and low side devices are turned off when switching between the forward and reverse directions.

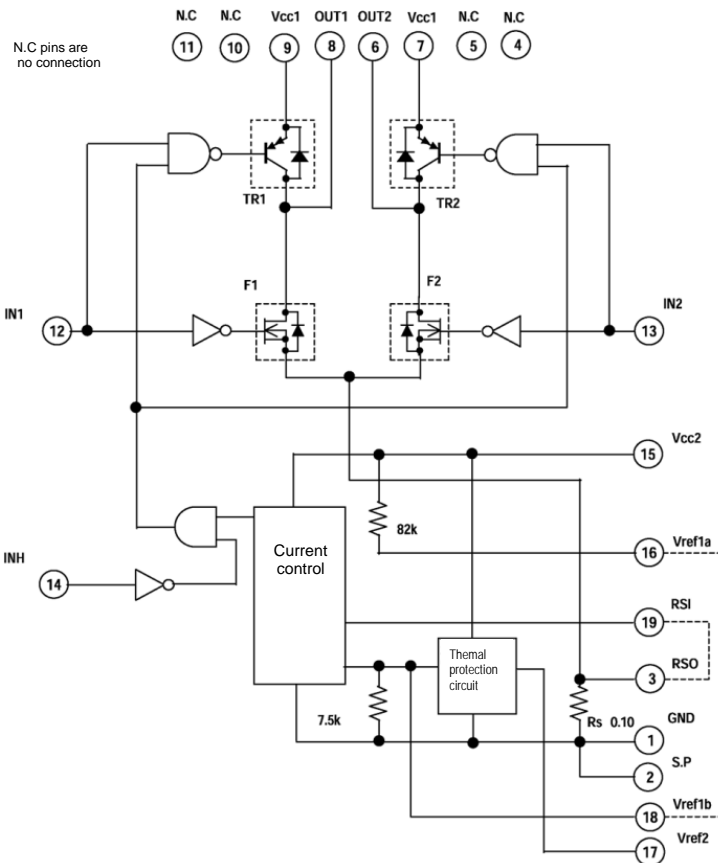


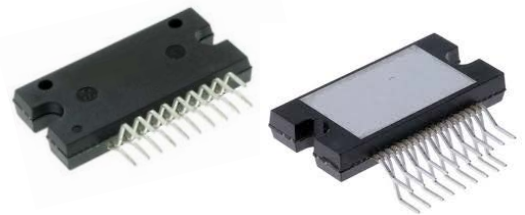
Figure 1 : Functional Diagram



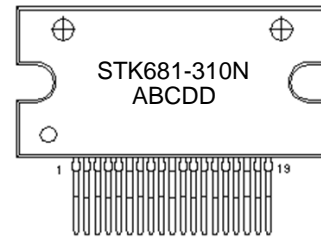
ON Semiconductor®

www.onsemi.com

PACKAGE PICTURE

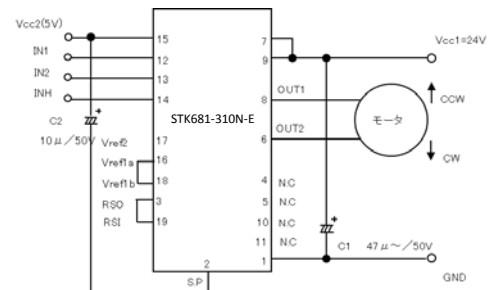


MARKING DIAGRAM



STK681-310N = Type name
 A = Production Plant
 B = Production Year
 C = Production Month
 DD = Production Day
 Device marking is on package top side

PIN CONNECTIONS



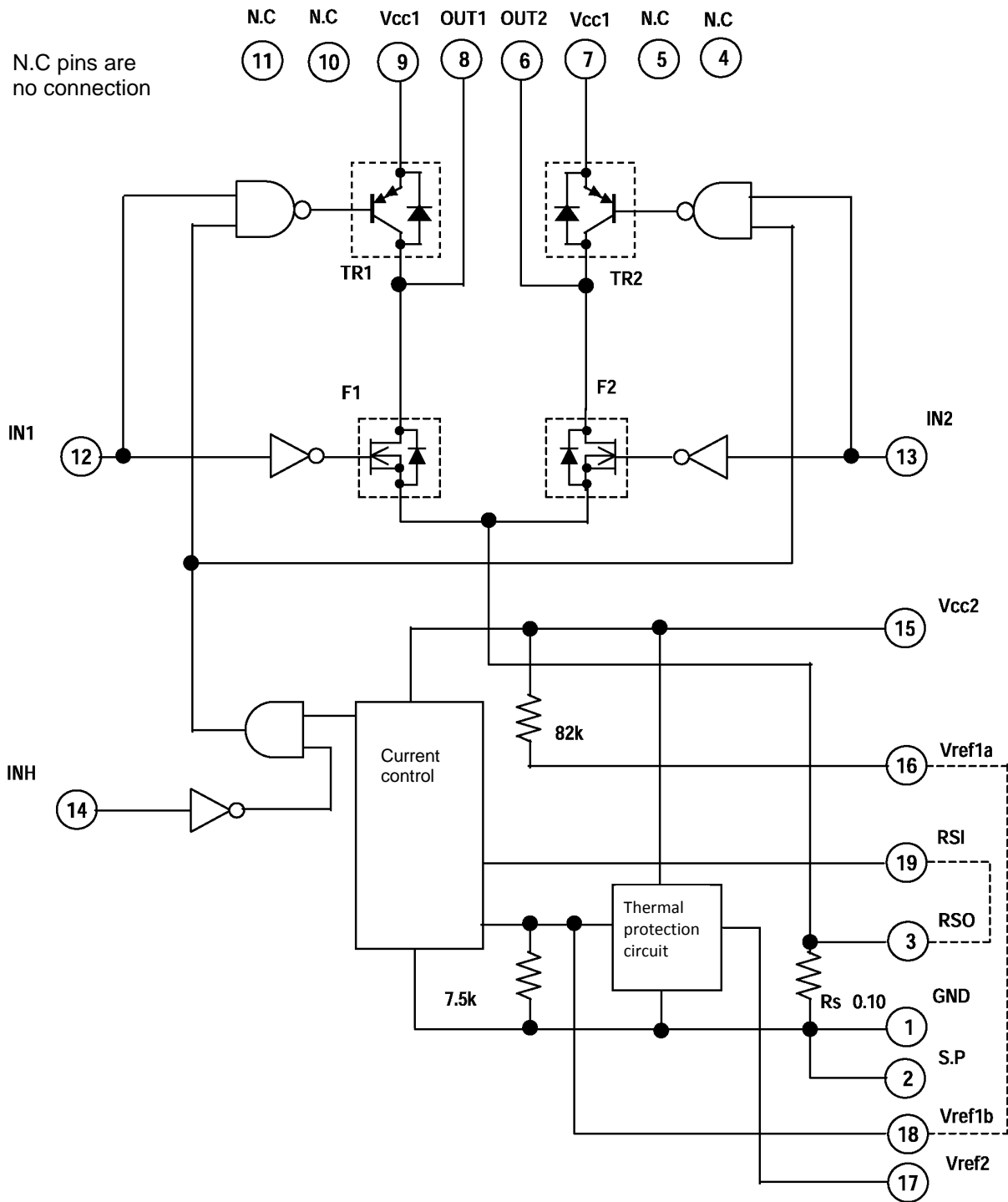
ORDERING INFORMATION

Device	Package	Shipping (Qty / Packing)
STK681-310N-E	SIP19 29.2x14.4 (Pb-Free)	15 / Tube

STK681-310N-E

Block Diagram

N.C pins are no connection



STK681-310N-E

Absolutely Maximum Ratings at Ta = 25°C, Tc = 25°C

Parameter	Symbol	Conditions	Ratings	Unit
Maximum supply voltage 1	V _{CC1} max	V _{CC2} = 0 V	52	V
Maximum supply voltage 2	V _{CC2} max	No signal	-0.3 to +7.0	V
Input voltage	V _{in} max	At logic input pin	-0.3 to +7.0	V
Output current 1	I _O max	V _{CC2} = 5.0 V, DC current	4.2	A
Braking current	I _{OB} max	V _{CC2} = 5.0 V, V _{CC2} = 5.0 V, square wave	8	A
Power Dissipation	P _{dPK} max	Without a heat sink	3.1	W
Operating substrate	T _c max	Package of metal surface temperature	105	°C
Junction temperature	T _j max		150	°C
Storage temperature	T _{stg}		-40 to +125	°C

Stresses exceeding those listed in the Maximum Ratings table may damage the device. If any of these limits are exceeded, device functionality should not be assumed, damage may occur and reliability may be affected.

Allowable Operating Range at Ta = 25°C

Parameter	Symbol	Conditions	Ratings	Unit
Supply voltage 1	V _{CC1}	With signals applied	10 to 42	V
Supply voltage 2	V _{CC2}	With signals applied	5.0 ±5%	V
Input voltage	V _{in}	10,11,12,13,14,15,17 pin	0 to V _{cc2}	V
Output current 1 *1, *2	I _{o1}	V _{CC2} = 5.0 V, DC current, T _c ≤ 70°C	4.2	A
Output current 2 *1, *2	I _{o2}	V _{CC2} = 5.0 V, DC current, T _c = 90°C	3.2	A
Output current 3 *1, *2	I _{o3}	V _{CC2} = 5.0 V, DC current, T _c = 105°C	2.5	A
Braking current *1	I _{oB}	V _{CC2} = 5.0 V, square wave current waveform, operating time : 3.6 ms, T _c = 105°C	8	A

Remarks : See the allowable operating ranges graphs for details on the output current and braking current when the IC is powered.

*1 : Refer to the graph for each conduction-period tolerance range for the output current and brake current.

*2 : I_{o1}, I_{o2}, I_{o3} connect V_{ref2} pin to GND and a current value when over-heating current control does not work

Functional operation above the stresses listed in the Recommended Operating Ranges is not implied. Extended exposure to stresses beyond the Recommended Operating Ranges limits may affect device reliability.

Electrical Characteristics at Tc = 25°C, V_{CC} = 24 V, V_{CC} = 5 V

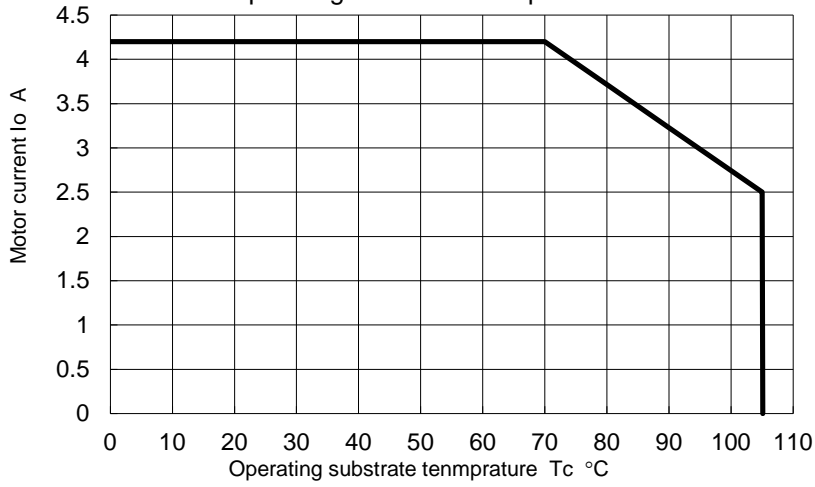
Parameter	Symbol	Conditions	min	typ	max	unit
V _{CC2} Supply current	I _{cco}	During forward or reverse operation		1.7	4	mA
Diode forward voltage	V _{df}	I _f = 1 A (R _L = 23 Ω)		1.0	1.6	V
Output saturation voltage 1	V _{sat1}	R _L = 23 Ω, TR1, TR2		0.8	1.1	V
Output saturation voltage 2	V _{sat2}	R _L = 23 Ω, F1, F2 + current detection resistor		0.19	0.26	V
Output leakage current	I _{OL}	When TR1, TR2, F1, and F2 are operating in the off state			50	μA
High-level input voltage 1	V _{IH1}	The IN1 and IN2 pins	4.5			V
High-level input voltage 2	V _{IH2}	The INH pin	2.5			V
Low-level input voltage	V _{IL}	The IN1, IN2, and INH pins			0.6	V
Input current 1	I _{IH1}	The IN1 and IN2 pins	0.1	0.2	0.4	mA
Input current 2	I _{IH2}	The INH pin, V _{IH} = 5 V	0.3	0.6	1.2	mA
Current setting voltage	V _{ref1}	Between the V _{ref1} and S.P pins		0.42		V

Remarks : Constant-voltage power supply is used.

Product parametric performance is indicated in the Electrical Characteristics for the listed test conditions, unless otherwise noted. Product performance may not be indicated by the Electrical Characteristics if operated under different conditions.

STK681-310N-E

STK681-310N-E Motor Current Derating Curve for the Operating Substrate Temperature T_c

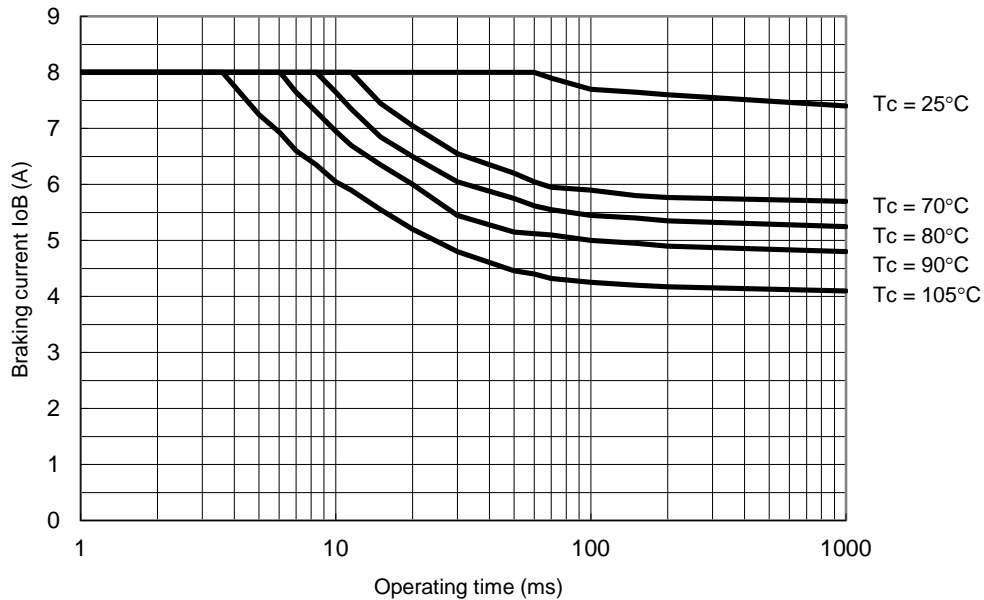


DC operating current range is within both the allowable V_{CC1} operating range and the derating curve shown in the figure.

Coution

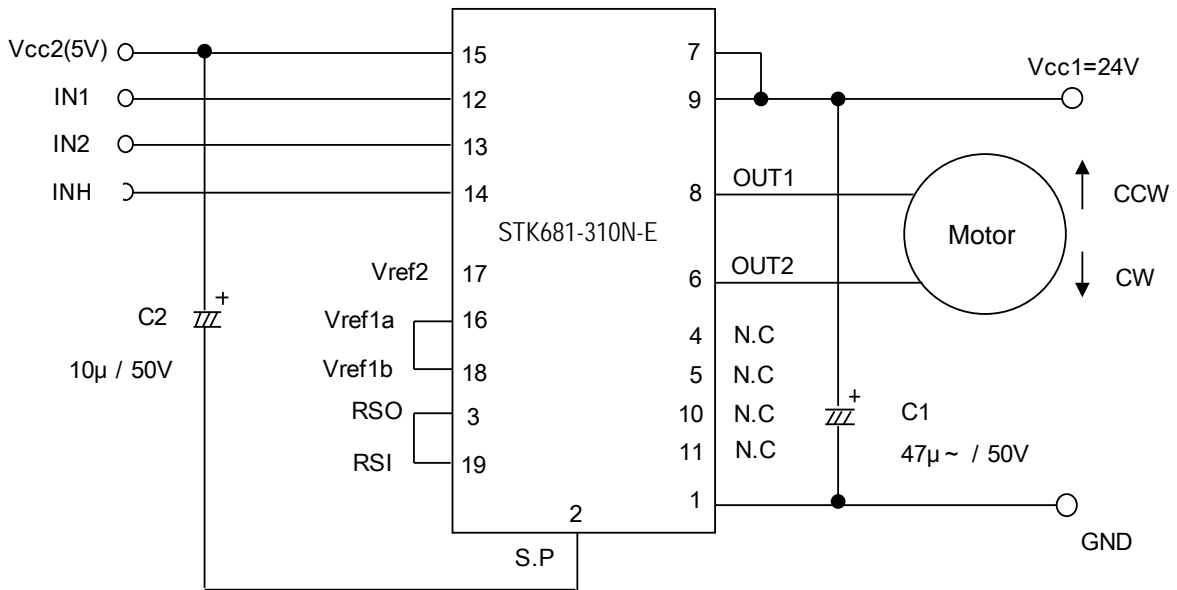
- Motor current I_o shown above is the range for chopping operation when V_{CC1} is under 28 V
- Substrate temperatures in the figure above are values measured when the motor is operating. The temperature T_c varies with the ambient temperature T_a , the motor drive current, and whether the motor current is continuous or the state of its intermittent operation. Therefore T_c must be verified in an actual end product system.

Allowable STK681-310N-E braking current ranges



STK681-310N-E

Application Circuit



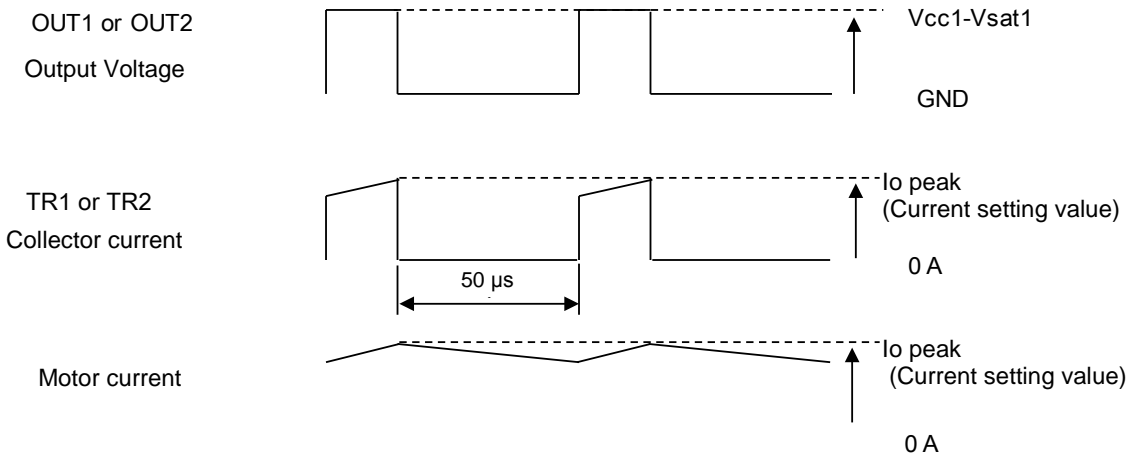
Motor Drive Conditions (H : high-level input, L : low-level input)

	IN1	IN2	INH	Comment
Stop 1 (Standby)	H	H	H or L	The state where the motor is not turning
Stop 2 (Power supply to the motor is off due to an input during motor operation)	H	H	H	Power supply to the motor was turned off due to a stop signal being applied during motor operation.
	H	L	H	
	L	H	H	
Forward (CW)	H	L	L	An input signal that turns off the high and low side drive elements during forward/reverse switching is not required
Reverse (CCW)	L	H	L	
Brake	L	L	L or H	The ground side MOSFET is in the on state

* : The state IN1 = IN2 = high, INH = L is illegal during motor operation.

Notes

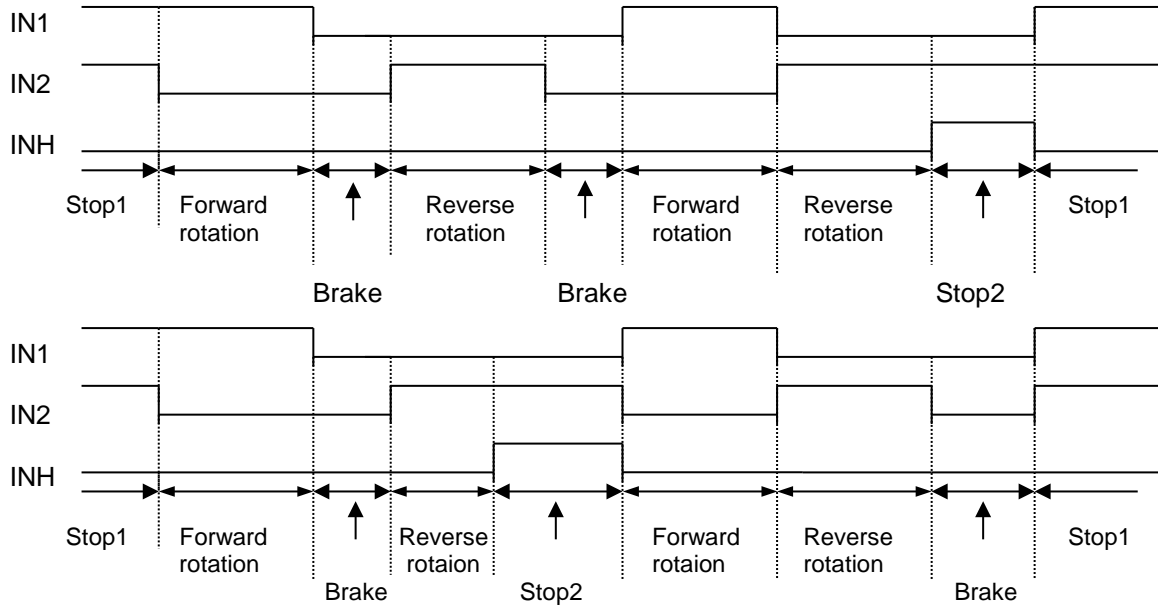
- (1) The value of the power supply bypass capacitor C1 must be set so that the capacitor ripple current, which changes with the motor current, remains within the allowable range.
- (2) While the Vref2 pin is normally handled by being left open, note that the thermal protection circuit will no longer operate if this pin is connected to ground or the P.S pin.
- (3) Current is controlled by a constant-current chopping operation by transistors TR1 and TR2. The timing for the OUT1 or OUT2 output voltage and the TR1 or TR2 collector current is shown below.
- (4) Do not connect or wire any of the NC (unused) pins that appear in either the block diagram or the application circuit examples to the circuit pattern on the PCB.



STK681-310N-E

(5) Since the response time of the ground side drive element during forward/reverse direction switching is a few tens of microseconds, this product is not appropriate for H bridge applications. This device should only be used as a DC motor driver.

(6) Timing Charts



(7) Smoke Emission precautions : There is a possibility of smoke emission if the IPM is subjected to physical or electrical damage as the result of being used without compliance with specifications.

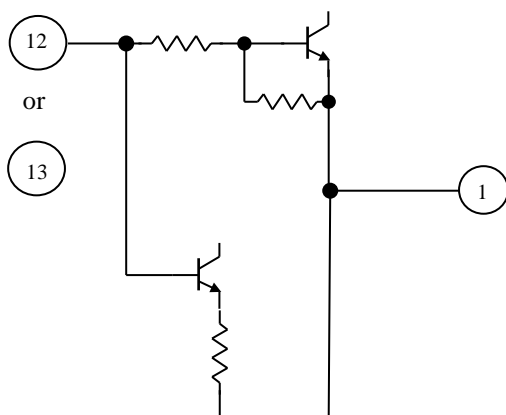
STK681-310N-E

Pin Functions

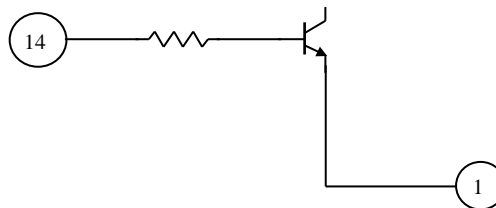
Pin Name	Pin Number	Function
IN1	12	Input pin for turning TR1 and F1 ON/OFF at high level, TR1 : ON and F1 : OFF ; at low level TR1 : OFF and F1 : ON.
IN2	13	Input pin for turning TR2 and F2 ON/OFF at high level, TR2 : ON and F2 : OFF ; at low level TR2 : OFF and F2 : ON.
INH	14	Pin for turning TR1 and TR2 OFF ; at high level TR1 and TR2 : OFF This pin is usually low or open
OUT1	8	This pin connects to the motor and outputs source/sync current depending on conditions at IN1 and IN2.
OUT2	6	This pin connects to the motor and outputs source/sync current depending on conditions at IN1 and IN2.
Vref1a Vref1b	16 18	This pin is used for current setting for constant-current operation performed with the Vrefa and Vrefb pins connected. A voltage of 0.42 V at Tc = 25°C results for Vref1. 0.42 V is set by connecting 82 kΩ and 7.5 kΩ in series. Current detection resistance is $R_s = 0.10 \Omega$. set using $IO_{peak} = V_{ref1} \div R_s$ It is to be noted, there is a CR time constant delay in RSI input. Io peak load conditions (load specs and power supply specifications) will vary (increase). Please check with the actual machine.
Vref2	17	Be sure to usually leave this pin open. The overheating control curcuit can be made to stop operating by connecting this pin to Gnd or S.P pin.
S.P	2	Vref1 voltage can be reduced by connecting a resistor between Vref1 and the S.P pin.
RSO	3	This pin can be used to monitor the voltage across the current detection resistor R_s and is connected to the RSI pin.
RSI	19	This pin is connected to the RSO pin and serves as an input to the circuit that compares the input with Vref1.

Equivalent circuit

<IN1, IN2>



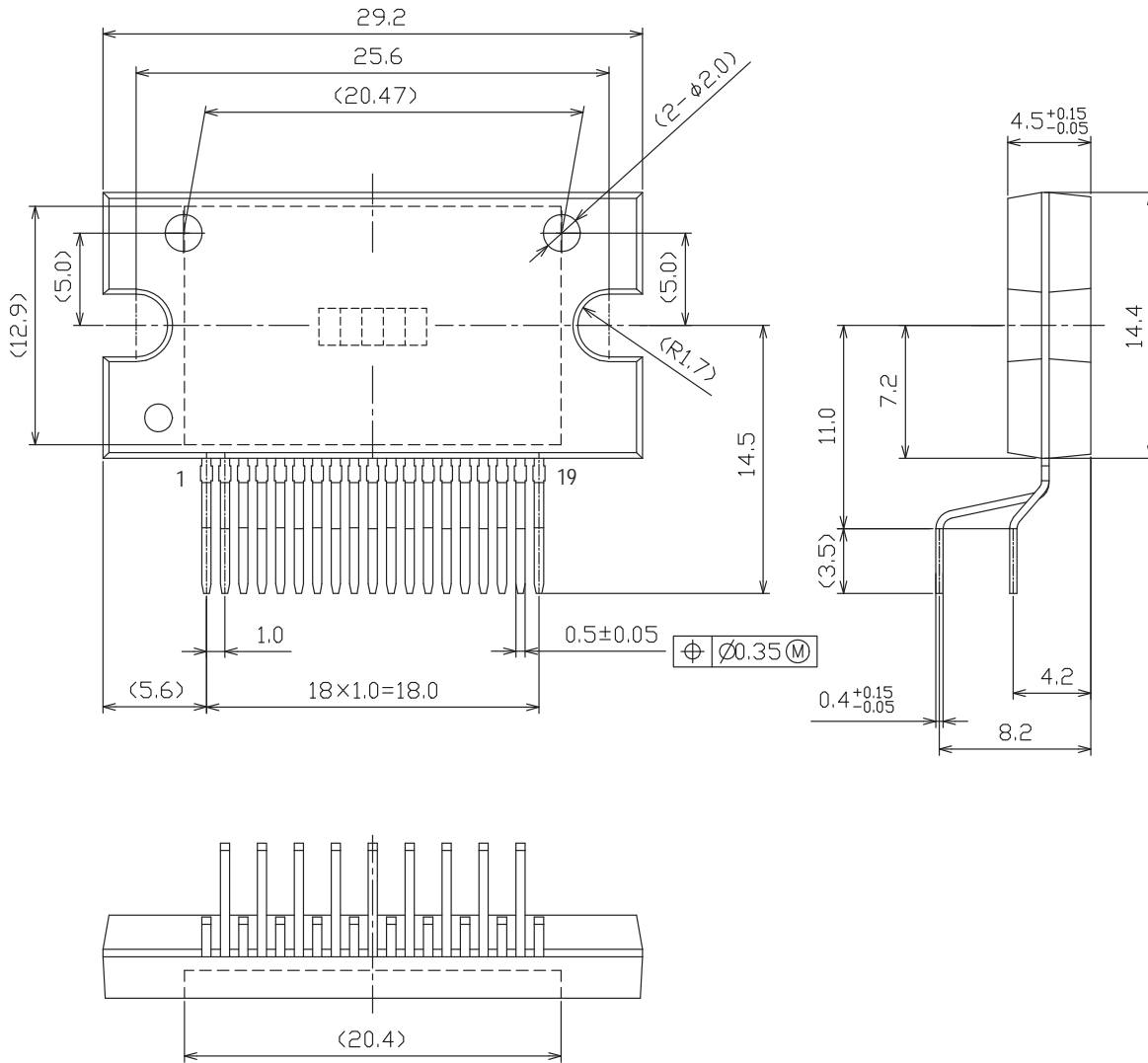
<INH>



STK681-310N-E

Package Dimensions unit : mm

SIP19 29.2x14.4
CASE 127CF
ISSUE O



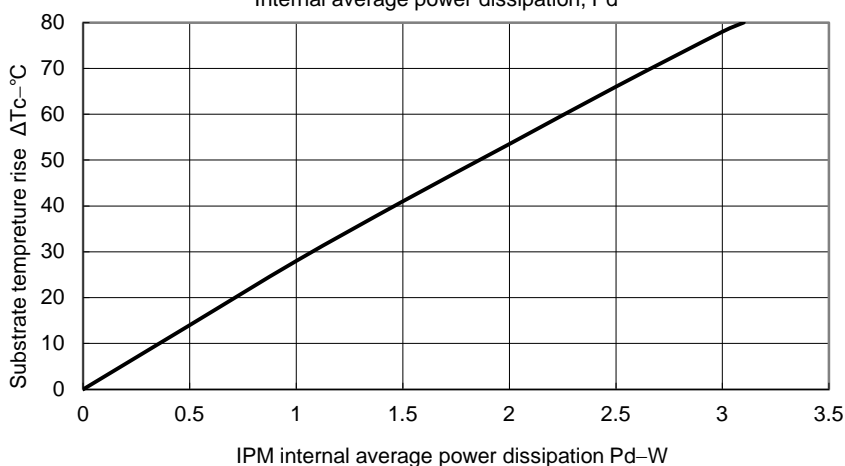
Technical data

1. Substrate temperature rise, ΔT_c (no heat sink) – Internal average power dissipation, PD
2. Internal average power dissipation, Pd, in the DC current-motor current, Io, characteristics
3. Overheating current control characteristics
4. Allowable power dissipation, PdPK (no heat sink) – Ambient temperature, Ta
5. Electrical characteristics
 - Vdf vs If
 - Vsat1 · Vsat2 vs Io
 - Vsat1 vs VIH1
 - VOUT vs VIH1
 - VOUT vs VIH2
 - IIH1 vs VIH1
 - IIH2 vs VIH2
6. TR1, TR2 A.S.O, F1, F2 A.S.O

STK681-310N-E

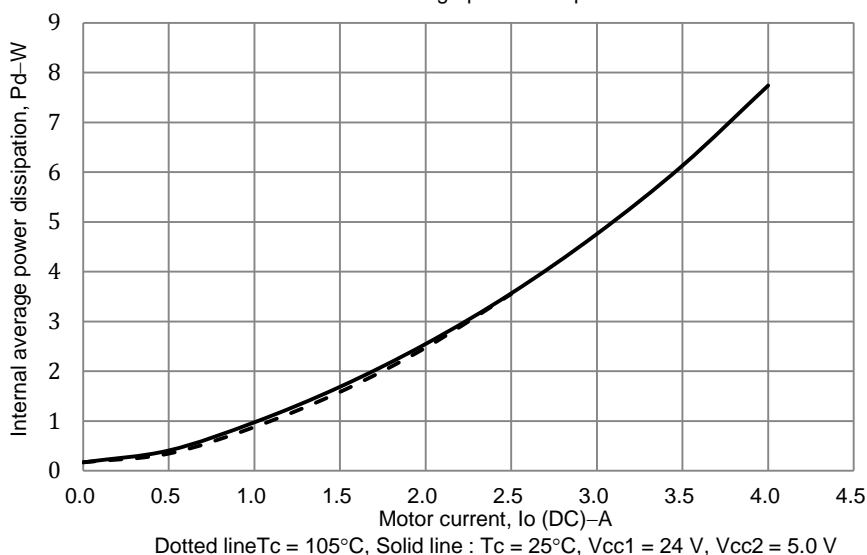
1. Substrate temperature rise, ΔT_c (no heat sink) – Internal average power dissipation, PD

STK681-310N-E Substrate temperature rise ΔT_c (no heat sink) – Internal average power dissipation, Pd



2. Internal average power dissipation, Pd, in the DC current-motor current, I_o , characteristics

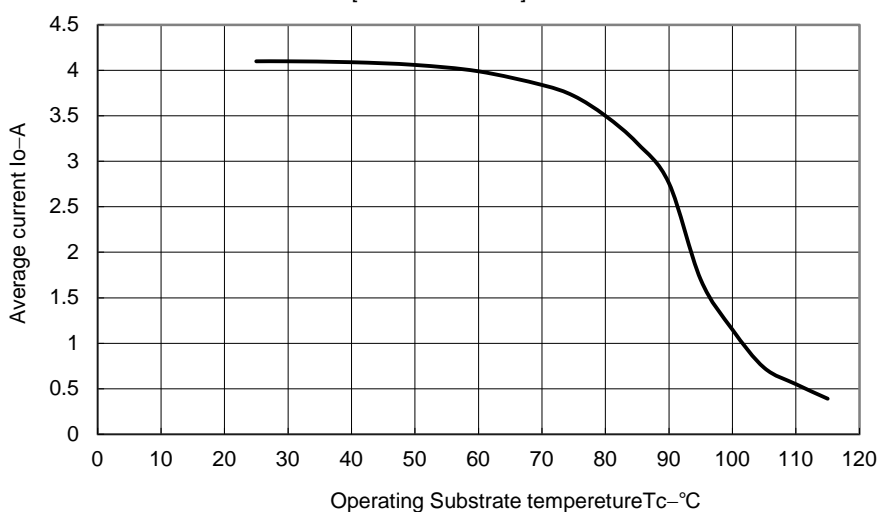
STK681-310N-E Internal average power dissipation Pd-motor current I_o



Dotted line $T_c = 105^\circ\text{C}$, Solid line : $T_c = 25^\circ\text{C}$, $V_{cc1} = 24\text{ V}$, $V_{cc2} = 5.0\text{ V}$

3. Overheating current control characteristics

STK681-310N-E Overheating current control characteristics I_o - T_c
[Load $2\ \Omega + 5\text{ mH}$]



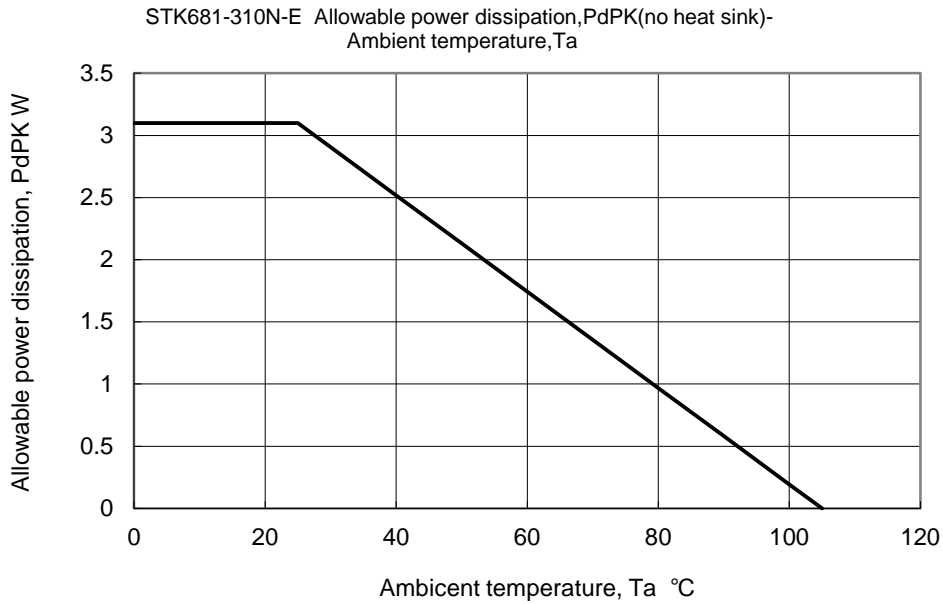
Overheating current control is a driver corruption prevention function when the motor lock occurs is abnormal behavior.

STK681-310N-E

4. Allowable power dissipation, PdPK (no heat sink) – Ambient temperature, Ta

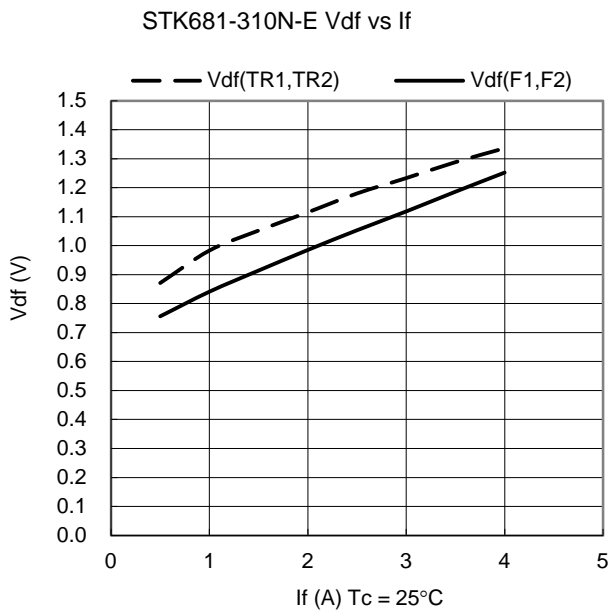
Package power loss, PdPK, refers to the average internal power loss, PdAV, allowable without a heat sink. The figure below represents the allowable power loss, PdPK, vs. fluctuations in the ambient temperature, Ta. Power loss of up to 3.1 W is allowable at Ta = 25°C, and of up to 1.75 W at Ta = 60°C.

* Thermal resistance θ_{c-a} of the package is the 25.8°C/W.

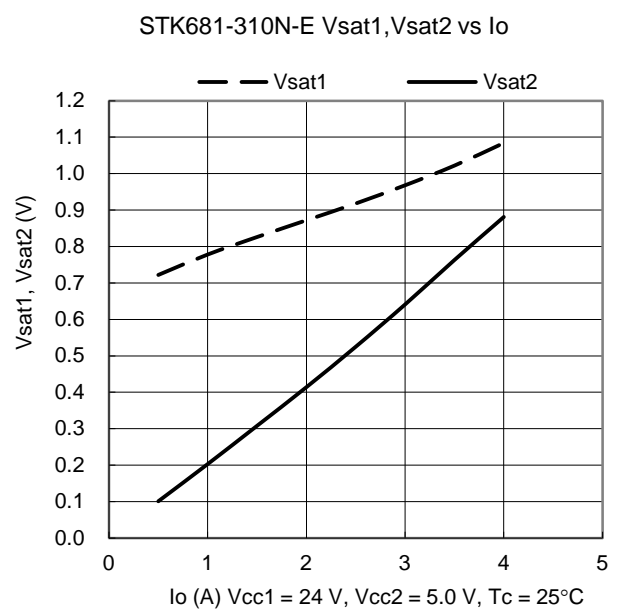


5. Electrical characteristics

<Vdf vs If>

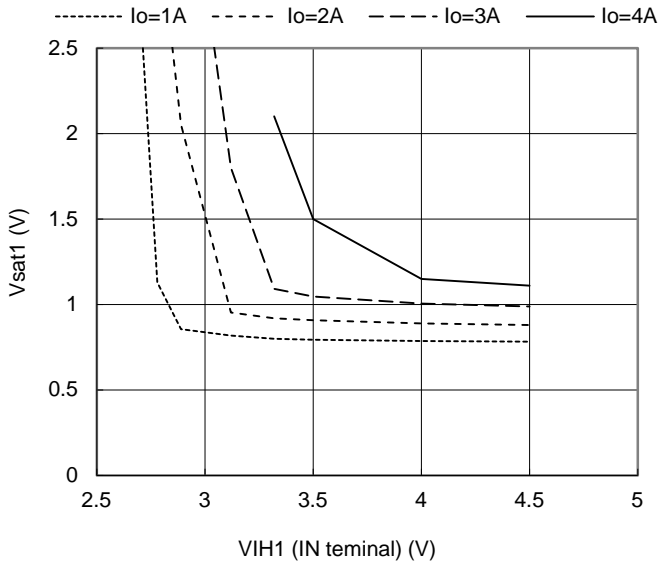


<Vsat1 · Vsat2 vs Io>

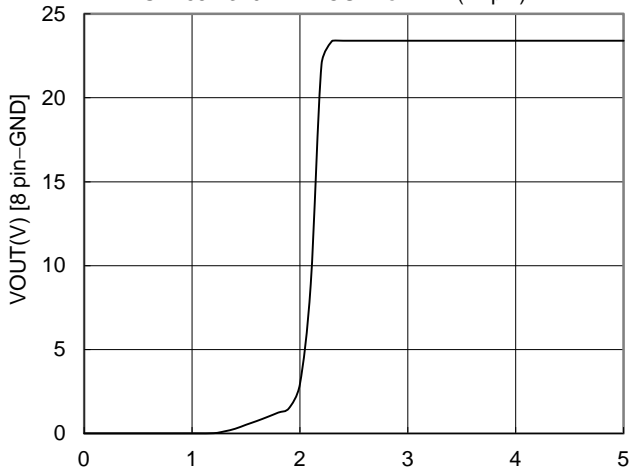


STK681-310N-E

STK681-310N-E V_{sat1} vs V_{IH1}

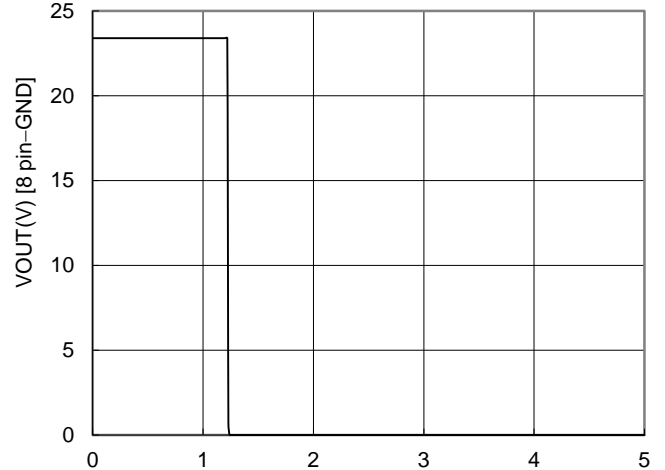


STK681-310N-E V_{OUT} vs V_{IH1} (IN pin)



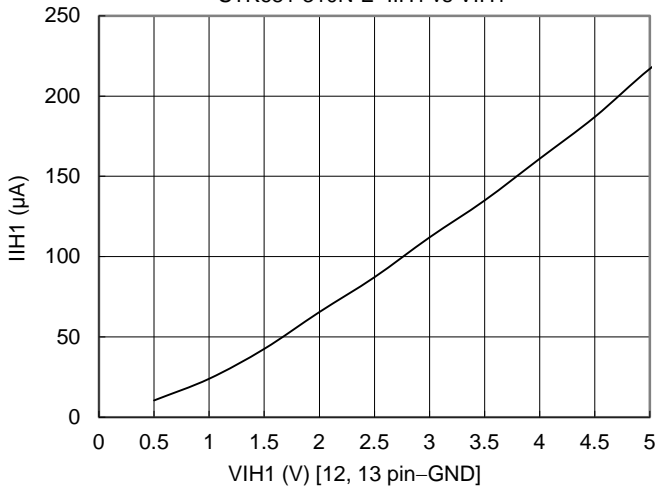
V_{IH1} (INH Pin IN) (V) [12 pin-GND]
 V_{cc1} = 24 V, V_{cc2} = 5.0 V, T_c = 25°C,
 OUT1-OUT2 = 1 kΩ, 14 pin = Low

STK681-310N-E V_{OUT} vs V_{IH2} (INH pin)



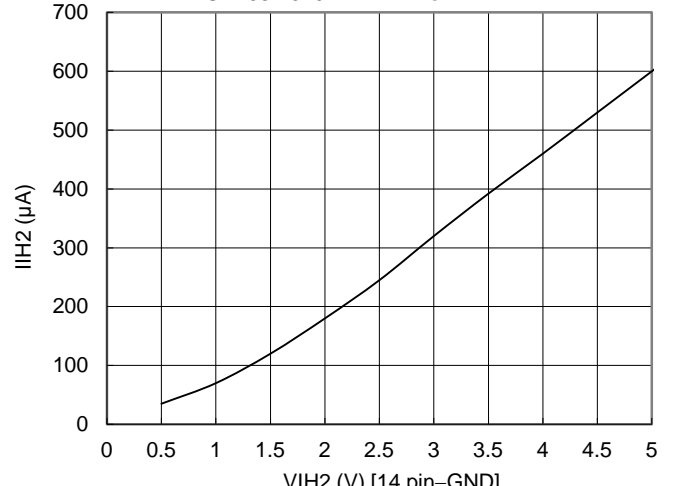
V_{IH2} (INH Pin INH) (V) [14 pin-GND]
 V_{cc1} = 24 V, V_{cc2} = 5.0 V, T_c = 25°C,
 OUT1-OUT2 = 1 kΩ, 12 pin = High

STK681-310N-E I_{IH1} vs V_{IH1}



V_{IH1} (V) [12, 13 pin-GND]
 V_{cc1} = 24 V, V_{cc2} = 5.0 V, T_c = 25°C

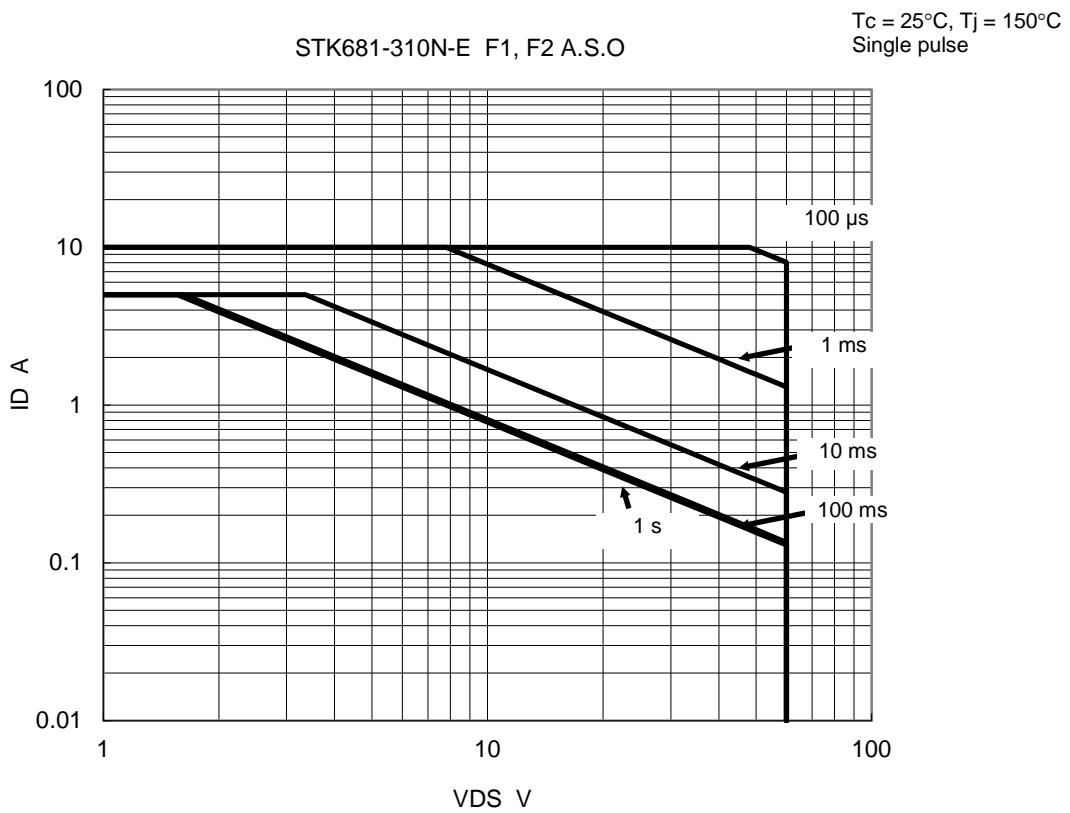
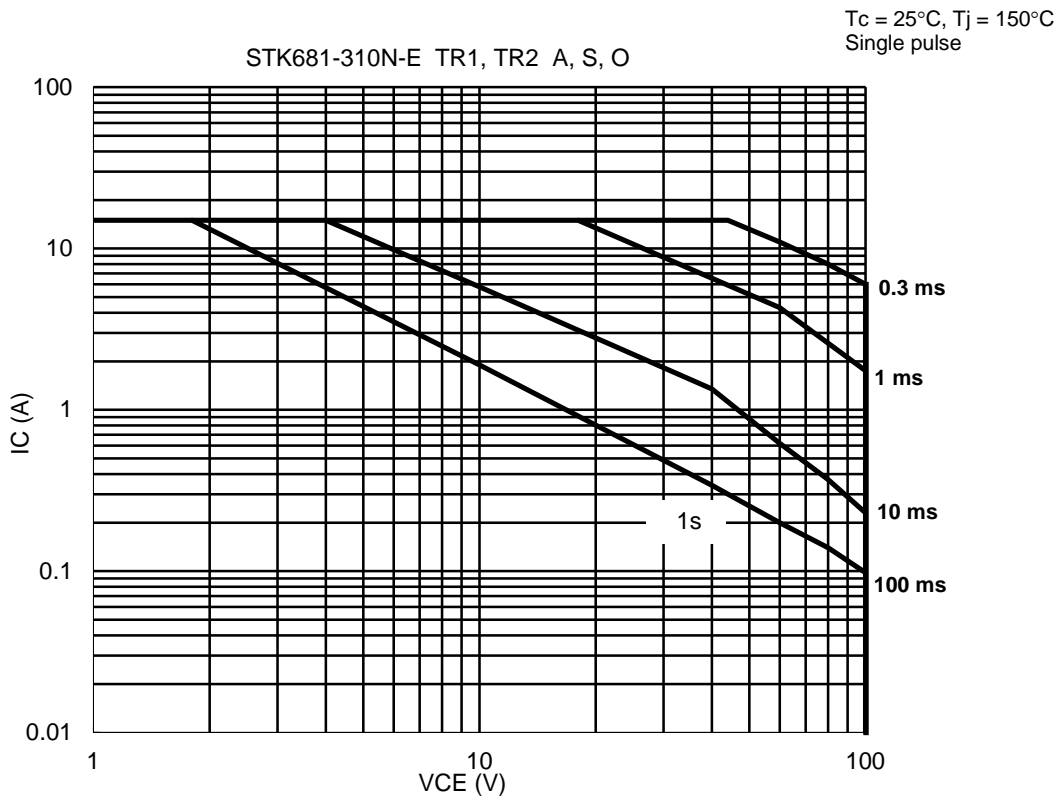
STK681-310N-E I_{IH2} vs V_{IH2}



V_{IH2} (V) [14 pin-GND]
 V_{cc1} = 24 V, V_{cc2} = 5.0 V, T_c = 25°C

STK681-310N-E

6. TR1, TR2 A.S.O, F1, F2 A.S.O



ON Semiconductor and the ON Semiconductor logo are trademarks of Semiconductor Components Industries, LLC dba ON Semiconductor or its subsidiaries in the United States and/or other countries. ON Semiconductor owns the rights to a number of patents, trademarks, copyrights, trade secrets, and other intellectual property. A listing of ON Semiconductor's product/patent coverage may be accessed at www.onsemi.com/site/pdf/Patent-Marking.pdf. ON Semiconductor reserves the right to make changes without further notice to any products herein. ON Semiconductor makes no warranty, representation or guarantee regarding the suitability of its products for any particular purpose, nor does ON Semiconductor assume any liability arising out of the application or use of any product or circuit, and specifically disclaims any and all liability, including without limitation special, consequential or incidental damages. Buyer is responsible for its products and applications using ON Semiconductor products, including compliance with all laws, regulations and safety requirements or standards, regardless of any support or applications information provided by ON Semiconductor. "Typical" parameters which may be provided in ON Semiconductor data sheets and/or specifications can and do vary in different applications and actual performance may vary over time. All operating parameters, including "Typicals" must be validated for each customer application by customer's technical experts. ON Semiconductor does not convey any license under its patent rights nor the rights of others. ON Semiconductor products are not designed, intended, or authorized for use as a critical component in life support systems or any FDA Class 3 medical devices or medical devices with a same or similar classification in a foreign jurisdiction or any devices intended for implantation in the human body. Should Buyer purchase or use ON Semiconductor products for any such unintended or unauthorized application, Buyer shall indemnify and hold ON Semiconductor and its officers, employees, subsidiaries, affiliates, and distributors harmless against all claims, costs, damages, and expenses, and reasonable attorney fees arising out of, directly or indirectly, any claim of personal injury or death associated with such unintended or unauthorized use, even if such claim alleges that ON Semiconductor was negligent regarding the design or manufacture of the part. ON Semiconductor is an Equal Opportunity/Affirmative Action Employer. This literature is subject to all applicable copyright laws and is not for resale in any manner.