

12mm X 504mm SMD LIGHT RIBBON

FEATURES

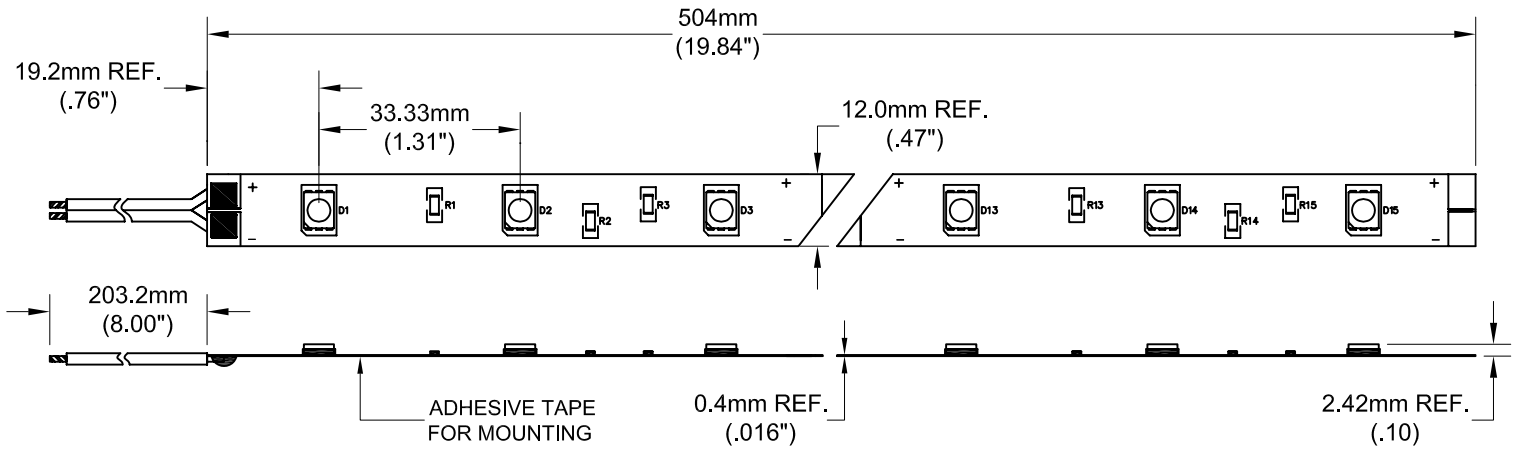
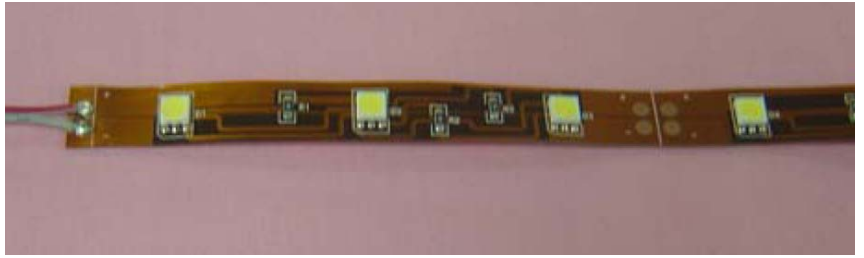
VOLTAGE: 12V DC.

CURRENT: 300mA.

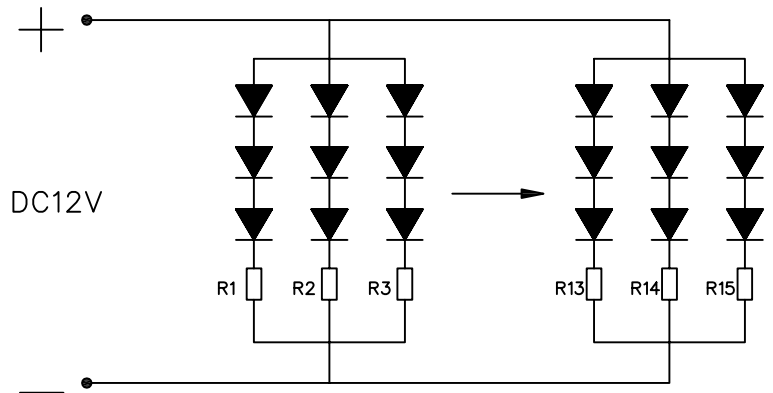
VIEWING ANGLE (2 θ 1/2): 100°.

STANDARD PACKAGING: 5 METERS/REEL

15 3-CHIP LED'S PER 504mm SECTION



DIMENSION TOLERANCE IS ±1mm
UNLESS OTHERWISE NOTED.



ATTENTION



OBSERVE PRECAUTION
FOR HANDLING ELECTROSTATIC
DISCHARGE SENSITIVE DEVICES

JKL PART NO.: ZFS-12504-CW

METRIC THIRD ANGLE PROJECTION		DIMENSIONS ARE IN mm (INCHES) TOLERANCE UNLESS OTHERWISE SPECIFIED 1 PL +/- 1 2 PL +/- ANGLE +/-		JKL COMPONENTS CORPORATION			
DRAWN BY L. WENGSTROM		APPV'D BY L.R.		DATE 4/22/08		TITLE 12mm X 504mm COOL WHITE LED LIGHT RIBBON	
RELEASE & CANCEL PL-0710-10		APPV'D DATE 4/22/08		SIZE A		FSCM NO. 55335	
REV. NO.		DESCRIPTION/ECO NUMBER		APPV'D DATE		DRAWING NO. ZFS-12504-CW	
- CAD DRAWING - MANUAL REVISIONS NOT PERMITTED				SCALE NONE		RELEASED DATE 4/22/08	
				REVISION DATE		REV. NO.	
						SHEET 1 OF 2	

12mm X 504mm SMD LIGHT RIBBON

RATINGS ARE PER 504mm SECTION

Absolute Maximum Rating at TA = 25°C

Parameter	Symbol	Absolute Maximum Rating	Unit
Forward Current	IF	300	mA
Power Dissipation	PD	3.6	W
Electrostatic Discharge	ESD	400	V
Operating Temperature	Topr	-25~+60	°C
Storage Temperature	Tstg	-40~+80	°C

Electrical/Optical Characteristics at TA = 25°C

Parameter	Symbol	Condition	Min	Typ	Max	Unit
Forward Voltage DC	VF	IF = 300mA	--	12	--	V
Dominant Wavelength	λD	IF = 300mA	--	--	--	nm
Color Temperature	TC	IF = 300mA	--	6500	--	K
Luminous Flux	ϕV	IF = 300mA	--	200	--	lm
Recommend Forward Current	IF	--	--	300	--	mA