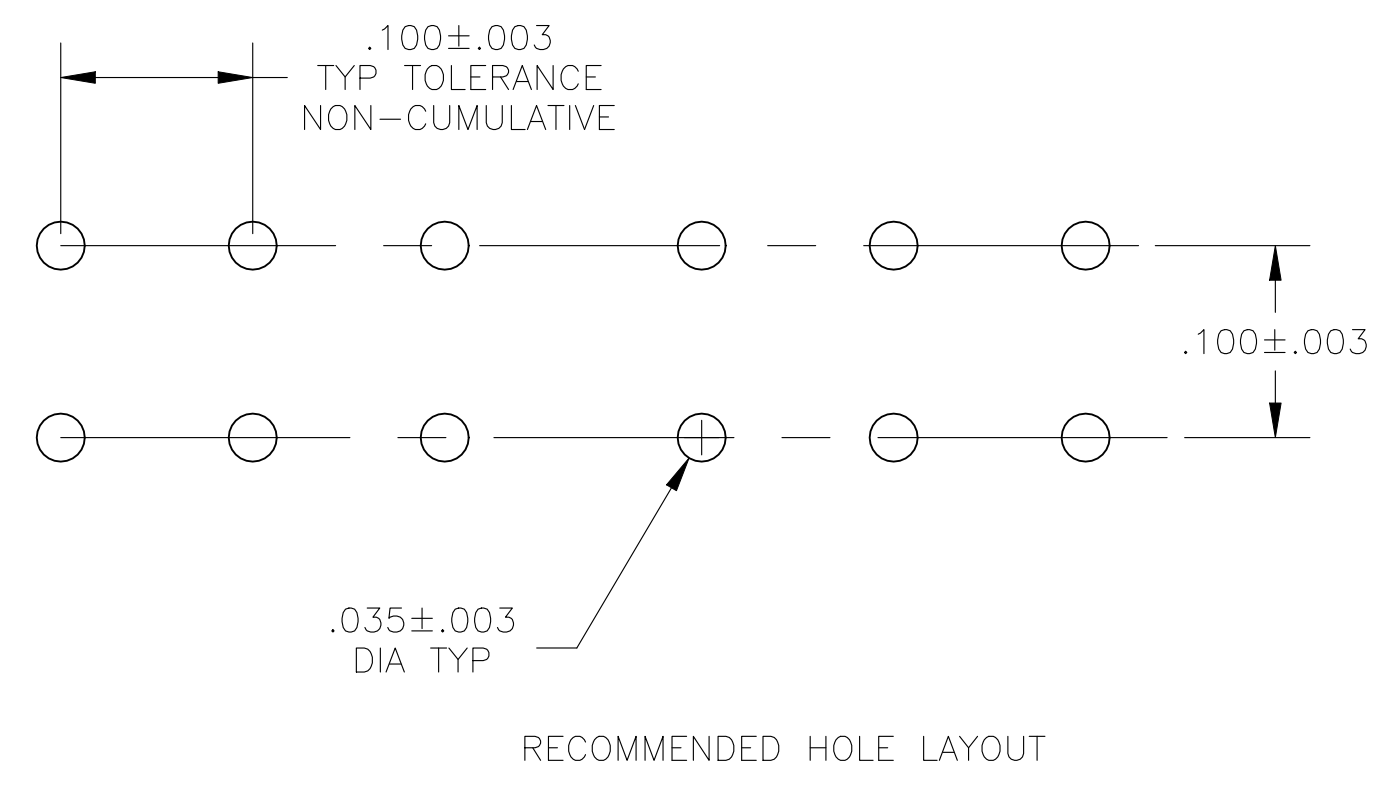
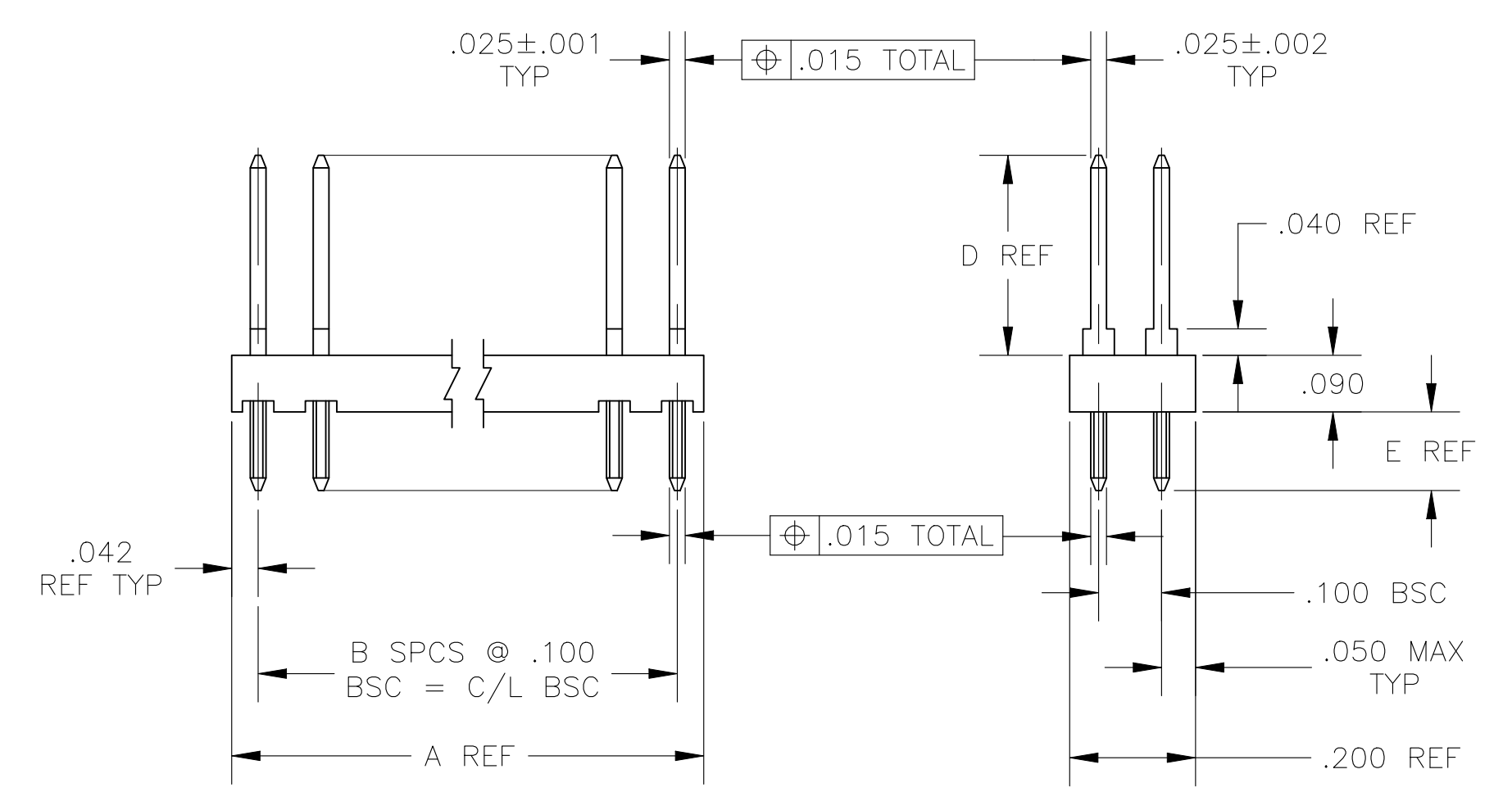


REVISIONS					
P	LTR	DESCRIPTION	DATE	DWN	APVD
J		PLASTIC MATERIAL SUPPLIER CHANGED FOR HOUSING	06MAY2021	SB	KJK

- NOTES:
- TRUE POSITION TOLERANCE OF POST TIPS APPLIES WHEN HEADERS ARE HELD FLAT AGAINST PRINTED CIRCUIT BOARD.
 - OBSELETE PART NUMBER
 - .000100-.000200 BRIGHT TIN OVER .000050-.000100 NICKEL.
 - .000100-.000200 BRIGHT TIN-LEAD OVER .000050-.000100 NICKEL.
 - PRELIMINARY PART
 - .000100-.000200 MATTE TIN OVER .000050 NICKEL.



SEE SHEET 2 FOR LEAD FREE PART NUMBERS

FINISH	E	D	C	B	A	NO OF POSN	PART NUMBER	
2	3	.125	.318	.500	5	.584	12	4-87543-3
2	3	.125	.318	4.100	41	4.184	80	4-87543-2
2	3	.125	.318	4.000	40	4.084	80	4-87543-1
2	3	.125	.318	3.900	39	3.984	80	4-87543-0
2	3	.125	.318	3.800	38	3.884	78	3-87543-9
2	3	.125	.318	3.700	37	3.784	76	3-87543-8
2	3	.125	.318	3.600	36	3.684	74	3-87543-7
2	3	.125	.318	3.500	35	3.584	72	3-87543-6
2	3	.125	.318	3.400	34	3.484	70	3-87543-5
2	3	.125	.318	3.300	33	3.384	68	3-87543-4
2	3	.125	.318	3.200	32	3.284	66	3-87543-3
2	3	.125	.318	3.100	31	3.184	64	3-87543-2
2	3	.125	.318	3.000	30	3.084	62	3-87543-1
2	3	.125	.318	2.900	29	2.984	60	3-87543-0
2	3	.125	.318	2.800	28	2.884	58	2-87543-9
2	3	.125	.318	2.700	27	2.784	56	2-87543-8
2	3	.125	.318	2.600	26	2.684	54	2-87543-7
2	3	.125	.318	2.500	25	2.584	52	2-87543-6
2	3	.125	.318	2.400	24	2.484	50	2-87543-5
2	3	.125	.318	2.300	23	2.384	48	2-87543-4
2	3	.125	.318	2.200	22	2.284	46	2-87543-3
2	3	.125	.318	2.100	21	2.184	44	2-87543-2
2	3	.125	.318	2.000	20	2.084	42	2-87543-1
2	3	.125	.318	1.900	19	1.984	40	2-87543-0
2	3	.125	.318	1.800	18	1.884	38	1-87543-9
2	3	.125	.318	1.700	17	1.784	36	1-87543-8
2	3	.125	.318	1.600	16	1.684	34	1-87543-7
2	3	.125	.318	1.500	15	1.584	32	1-87543-6
2	3	.125	.318	1.400	14	1.484	30	1-87543-5
2	3	.125	.318	1.300	13	1.384	28	1-87543-4
2	3	.125	.318	1.200	12	1.284	26	1-87543-3
2	3	.125	.318	1.100	11	1.184	24	1-87543-2
2	3	.125	.318	1.000	10	1.084	22	1-87543-1
2	3	.125	.318	.900	9	.984	20	1-87543-0
2	3	.125	.318	.800	8	.884	18	87543-9
2	3	.125	.318	.700	7	.784	16	87543-8
2	3	.125	.318	.600	6	.684	14	87543-7
2	3	.125	.318	.500	5	.584	12	87543-6
2	3	.125	.318	.400	4	.484	10	87543-5
2	3	.125	.318	.300	3	.384	8	87543-4
2	3	.125	.318	.200	2	.284	6	87543-3
2	3	.125	.318	.100	1	.184	4	87543-2
2	3	.125	.318	-	-	.084	2	87543-1

THIS DRAWING IS A CONTROLLED DOCUMENT.		DIN M.E.PASTEL 20 NOV 87		TE Connectivity Ltd.	
DIMENSIONS: INCHES		TOLERANCES UNLESS OTHERWISE SPECIFIED:			
0 PLC ± - 1 PLC ± - 2 PLC ± - 3 PLC ± .005 4 PLC ± - ANGLES ± -		APVD T.C. CLARK 20 NOV 87 PRODUCT SPEC APPLICATION SPEC SIZE CAGE CODE DRAWING NO A1 00779 C=87543		NAME ASSEMBLY, MOD II, HEADER, DOUBLE ROW, .100X.100 RESTRICTED TO	
MATERIAL H20-GLASS FILLED NYLON COLOR: BLACK CONTACT: PHOS BRONZE		FINISH SEE TABLE		WEIGHT -	
		CUSTOMER DRAWING		SCALE 4:1 SHEET 1 OF 2 REV J	

REVISIONS					
P	LTR	DESCRIPTION	DATE	DWN	APVD
-		SEE SHEET 1	-	-	-

△	.125	.318	3.900	39	3.984	80	9-87543-0
	.125	.318	3.800	38	3.884	78	8-87543-9
	.125	.318	3.700	37	3.784	76	8-87543-8
	.125	.318	3.600	36	3.684	74	8-87543-7
	.125	.318	3.500	35	3.584	72	8-87543-6
	.125	.318	3.400	34	3.484	70	8-87543-5
	.125	.318	3.300	33	3.384	68	8-87543-4
	.125	.318	3.200	32	3.284	66	8-87543-3
	.125	.318	3.100	31	3.184	64	8-87543-2
	.125	.318	3.000	30	3.084	62	8-87543-1
	.125	.318	2.900	29	2.984	60	8-87543-0
	.125	.318	2.800	28	2.884	58	7-87543-9
	.125	.318	2.700	27	2.784	56	7-87543-8
	.125	.318	2.600	26	2.684	54	7-87543-7
	.125	.318	2.500	25	2.584	52	7-87543-6
	.125	.318	2.400	24	2.484	50	7-87543-5
	.125	.318	2.300	23	2.384	48	7-87543-4
	.125	.318	2.200	22	2.284	46	7-87543-3
	.125	.318	2.100	21	2.184	44	7-87543-2
	.125	.318	2.000	20	2.084	42	7-87543-1
	.125	.318	1.900	19	1.984	40	7-87543-0
	.125	.318	1.800	18	1.884	38	6-87543-9
	.125	.318	1.700	17	1.784	36	6-87543-8
	.125	.318	1.600	16	1.684	34	6-87543-7
	.125	.318	1.500	15	1.584	32	6-87543-6
	.125	.318	1.400	14	1.484	30	6-87543-5
	.125	.318	1.300	13	1.384	28	6-87543-4
	.125	.318	1.200	12	1.284	26	6-87543-3
	.125	.318	1.100	11	1.184	24	6-87543-2
	.125	.318	1.000	10	1.084	22	6-87543-1
	.125	.318	.900	9	.984	20	6-87543-0
	.125	.318	.800	8	.884	18	5-87543-9
	.125	.318	.700	7	.784	16	5-87543-8
	.125	.318	.600	6	.684	14	5-87543-7
	.125	.318	.500	5	.584	12	5-87543-6
	.125	.318	.400	4	.484	10	5-87543-5
	.125	.318	.300	3	.384	8	5-87543-4
	.125	.318	.200	2	.284	6	5-87543-3
	.125	.318	.100	1	.184	4	5-87543-2
△	.125	.318	-	-	.084	2	5-87543-1

FINISH	E	D	C	B	A	NO OF POSN	PART NUMBER
THIS DRAWING IS A CONTROLLED DOCUMENT.							
DIMENSIONS: INCHES		TOLERANCES UNLESS OTHERWISE SPECIFIED:		DIN M.E.PASTEL 20 NOV 87		TE Connectivity Ltd.	
0 PLC ± .005		1 PLC ± .005		CHK T.C. CLARK 20 NOV 87		ASSEMBLY, MOD II, HEADER, DOUBLE ROW, .100X.100	
2 PLC ± .005		3 PLC ± .005		APVD T.C. CLARK 20 NOV 87		PRODUCT SPEC	
4 PLC ± .005		ANGLES ± .005		APPLICATION SPEC		RESTRICTED TO	
MATERIAL: HDI-GLASS FILLED NYLON COLOR: BLACK CONTACT: PHOS BRONZE		FINISH: SEE TABLE		WEIGHT: --		SIZE: A1 CAGE CODE: 00779 DRAWING NO: 87543	
CUSTOMER DRAWING				SCALE: 4:1		SHEET 2 OF 2 REV J	