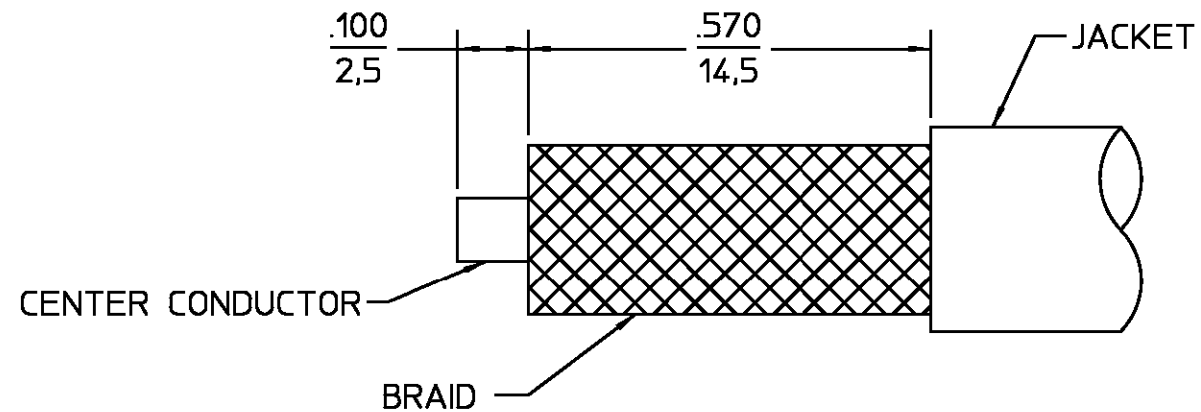


REVISIONS			
REV	DESCRIPTION	DATE	APPROVED
B	ADDED -2 PER EC 0U20-0434-00	C. Zhang 08/01/00	D. Com 8/10/00



CABLE STRIP LENGTH

FERRULE CRIMP: .384 HEX

CENTER CONTACT	BRASS PER ASTM-B-16, HALF HARD	-1 SILVER PLATE -2 GOLD PLATE
HOUSING	BRASS PER ASTM-B-16, HALF HARD	SILVER PLATE
DIELECTRIC	PTFE FLUOROCARBON PER ASTM-D-1457	N/A
RETAINING RING	PHOSPHOR BRONZE PER QQ-B-750, GRADE B2	N/A
GASKET	SILICONE RUBBER PER ZZ-R-765	N/A
FERRULE	COPPER OR BRASS ALLOY	TIN PLATE
COUPLING NUT	BRASS PER ASTM-B-16, HALF HARD	NICKEL PLATE
COMPONENT	MATERIAL	FINISH

.XXX = in
XX.X = mm (REF)

1402887-3	1402924-1	1402706-1	-----	1314078-2
1402887-1	1402924-1	1402706-1	1599-5019	1314078-1
CONTACT	FERRULE	PLUG ASSY	M/A-COM# REF	AMP P/N

UNLESS OTHERWISE SPECIFIED
DIMENSIONS ARE IN INCHES

FRAC. DEC. ANGLES
± 1/64 ± .005 ± 1°

DRAWN BY BPP DATE 4/10/97
CHECKED BY TDO DATE 4/15/97
APP'D BY RP DATE 4/16/97



AMP Incorporated
140 Fourth Avenue
Walham, MA 02451-7599

These drawings and specifications are the property of AMP Incorporated and shall not be reproduced or copied or used in whole or in part as the basis for the manufacture or sale of item(s) without written permission.

USE INSTRUCTION SHEET

NO. 408-8402

TITLE

TYPE N STRAIGHT CABLE PLUG

SIZE B	CODE IDENT NO. 26805	C-1314078	REV B
SCALE 4:1	CABLE TYPE MA318	SHEET 1 OF 1	

CUSTOMER DRAWING