



PBRN123E series

NPN 800 mA, 40 V BISS RETs; R1 = 2.2 k Ω , R2 = 2.2 k Ω

Rev. 01 — 27 February 2007

Product data sheet

1. Product profile

1.1 General description

800 mA NPN low V_{CEsat} Breakthrough In Small Signal (BISS) Resistor-Equipped Transistors (RET) family in small plastic packages.

Table 1. Product overview

| Type number | Package | | |
|--------------------------|----------|--------|----------|
| | Nexperia | JEITA | JEDEC |
| PBRN123EK | SOT346 | SC-59A | TO-236 |
| PBRN123ES ^[1] | SOT54 | SC-43A | TO-92 |
| PBRN123ET | SOT23 | - | TO-236AB |

[1] Also available in SOT54A and SOT54 variant packages (see [Section 2](#)).

1.2 Features

- 800 mA output current capability
- High current gain h_{FE}
- Built-in bias resistors
- Simplifies circuit design
- Low collector-emitter saturation voltage V_{CEsat}
- Reduces component count
- Reduces pick and place costs
- $\pm 10\%$ resistor ratio tolerance

1.3 Applications

- Digital application in automotive and industrial segments
- Medium current peripheral driver
- Switching loads

1.4 Quick reference data

Table 2. Quick reference data

| Symbol | Parameter | Conditions | Min | Typ | Max | Unit |
|-----------|---------------------------|------------|----------------|-----|-----|------|
| V_{CEO} | collector-emitter voltage | open base | - | - | 40 | V |
| I_O | output current | | ^[1] | | | |
| | PBRN123EK, PBRN123ET | | - | - | 600 | mA |
| | PBRN123ES | | - | - | 800 | mA |

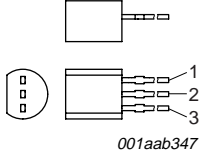
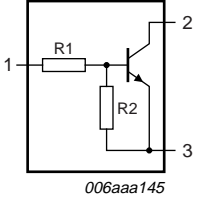
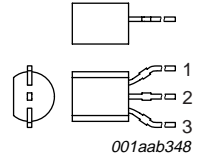
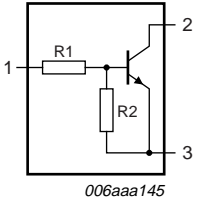
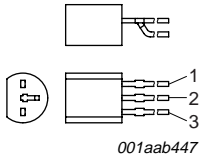
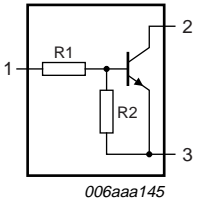
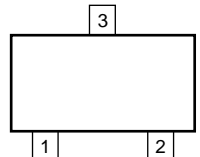
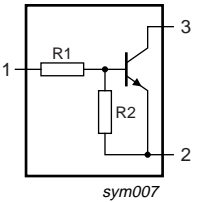
Table 2. Quick reference data ...continued

| Symbol | Parameter | Conditions | Min | Typ | Max | Unit |
|------------------|--------------------------------|---------------------------------|------|-----|------|------|
| I _{ORM} | repetitive peak output current | | | | | |
| | PBRN123EK, PBRN123ET | t _p ≤ 1 ms; δ ≤ 0.33 | - | - | 800 | mA |
| R1 | bias resistor 1 (input) | | 1.54 | 2.2 | 2.86 | kΩ |
| R2/R1 | bias resistor ratio | | 0.9 | 1 | 1.1 | |

[1] Device mounted on an FR4 Printed-Circuit Board (PCB), single-sided copper, tin-plated and standard footprint.

2. Pinning information

Table 3. Pinning

| Pin | Description | Simplified outline | Symbol |
|----------------------|--------------------|---|--|
| SOT54 | | | |
| 1 | input (base) |  <p>001aab347</p> |  <p>006aaa145</p> |
| 2 | output (collector) | | |
| 3 | GND (emitter) | | |
| SOT54A | | | |
| 1 | input (base) |  <p>001aab348</p> |  <p>006aaa145</p> |
| 2 | output (collector) | | |
| 3 | GND (emitter) | | |
| SOT54 variant | | | |
| 1 | input (base) |  <p>001aab447</p> |  <p>006aaa145</p> |
| 2 | output (collector) | | |
| 3 | GND (emitter) | | |
| SOT23; SOT346 | | | |
| 1 | input (base) |  <p>006aaa144</p> |  <p>sym007</p> |
| 2 | GND (emitter) | | |
| 3 | output (collector) | | |

3. Ordering information

Table 4. Ordering information

| Type number | Package | | |
|--------------------------|---------|---|---------|
| | Name | Description | Version |
| PBRN123EK | SC-59A | plastic surface-mounted package; 3 leads | SOT346 |
| PBRN123ES ^[1] | SC-43A | plastic single-ended leaded (through hole) package; 3 leads | SOT54 |
| PBRN123ET | - | plastic surface-mounted package; 3 leads | SOT23 |

[1] Also available in SOT54A and SOT54 variant packages (see [Section 2](#) and [Section 9](#)).

4. Marking

Table 5. Marking codes

| Type number | Marking code ^[1] |
|-------------|-----------------------------|
| PBRN123EK | G3 |
| PBRN123ES | N123ES |
| PBRN123ET | *7J |

[1] * = -: made in Hong Kong
 * = p: made in Hong Kong
 * = t: made in Malaysia
 * = W: made in China

5. Limiting values

Table 6. Limiting values

In accordance with the Absolute Maximum Rating System (IEC 60134).

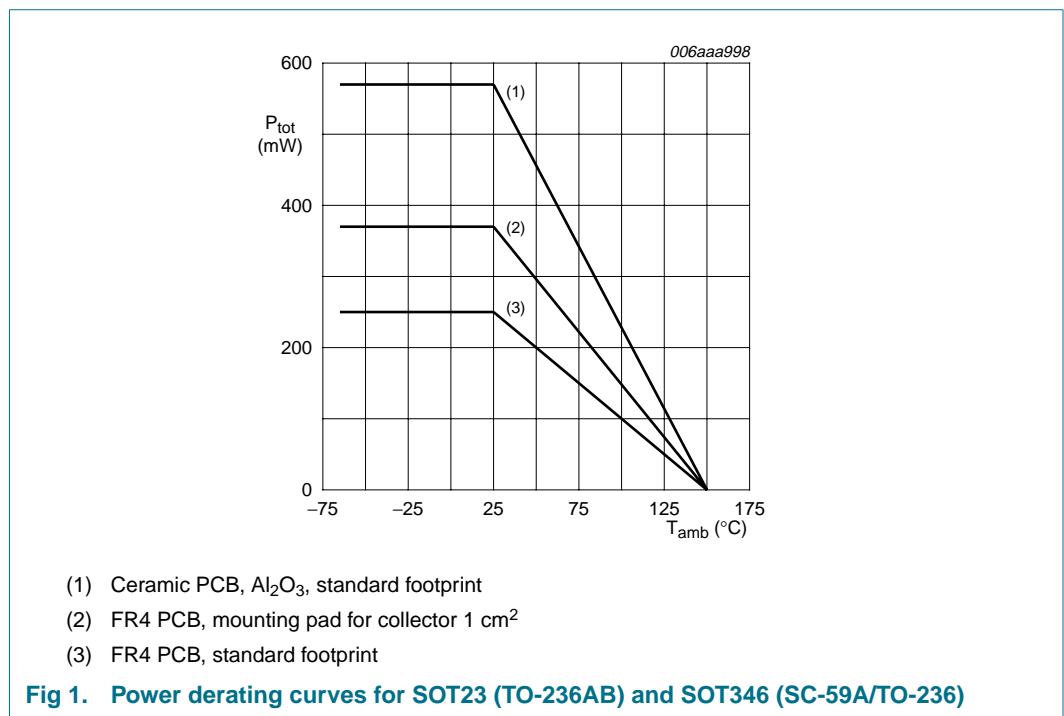
| Symbol | Parameter | Conditions | Min | Max | Unit |
|-----------|--------------------------------|-------------------------------------|---------------------|-----|------|
| V_{CBO} | collector-base voltage | open emitter | - | 40 | V |
| V_{CEO} | collector-emitter voltage | open base | - | 40 | V |
| V_{EBO} | emitter-base voltage | open collector | - | 10 | V |
| V_I | input voltage | | | | |
| | positive | | - | +22 | V |
| | negative | | - | -10 | V |
| I_O | output current | | | | |
| | PBRN123EK, PBRN123ET | | ^[1] - | 600 | mA |
| | | | ^{[2][3]} - | 700 | mA |
| | PBRN123ES | | ^[1] - | 800 | mA |
| I_{ORM} | repetitive peak output current | | | | |
| | PBRN123EK, PBRN123ET | $t_p \leq 1$ ms; $\delta \leq 0.33$ | - | 800 | mA |

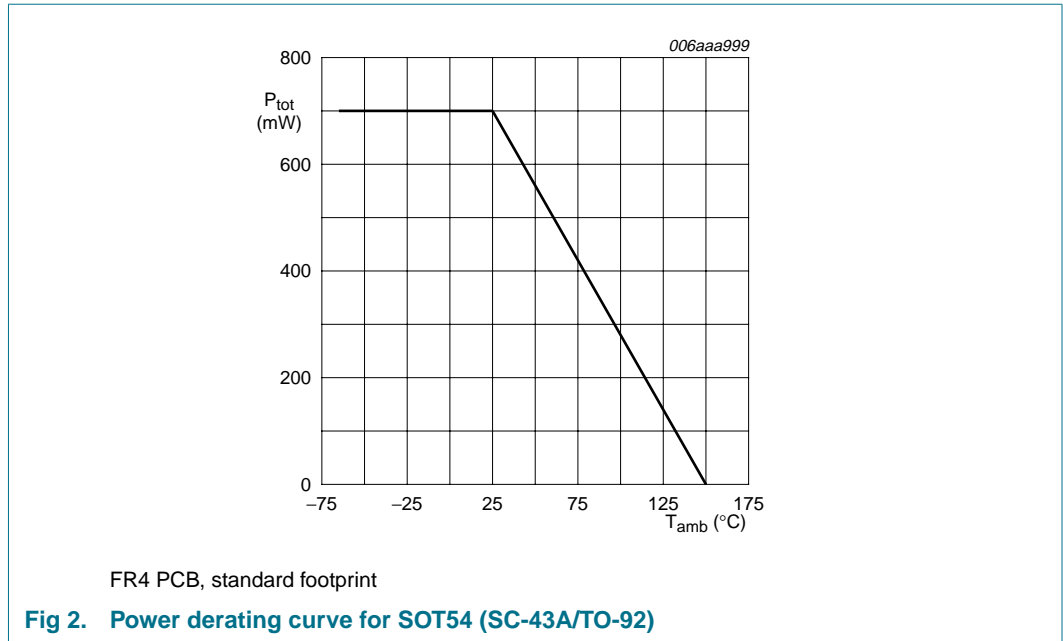
Table 6. Limiting values ...continued

In accordance with the Absolute Maximum Rating System (IEC 60134).

| Symbol | Parameter | Conditions | Min | Max | Unit | | |
|------------------|-------------------------|--------------------------|----------------------|------|------|-----|----|
| P _{tot} | total power dissipation | T _{amb} ≤ 25 °C | | | | | |
| | | | PBRN123EK, PBRN123ET | [1] | - | 250 | mW |
| | | | | [2] | - | 370 | mW |
| | | | | [3] | - | 570 | mW |
| | PBRN123ES | | [1] | - | 700 | mW | |
| T _j | junction temperature | | - | 150 | °C | | |
| T _{amb} | ambient temperature | | -65 | +150 | °C | | |
| T _{stg} | storage temperature | | -65 | +150 | °C | | |

- [1] Device mounted on an FR4 PCB, single-sided copper, tin-plated and standard footprint.
- [2] Device mounted on an FR4 PCB, single-sided copper, tin-plated, mounting pad for collector 1 cm².
- [3] Device mounted on a ceramic PCB, Al₂O₃, standard footprint.





6. Thermal characteristics

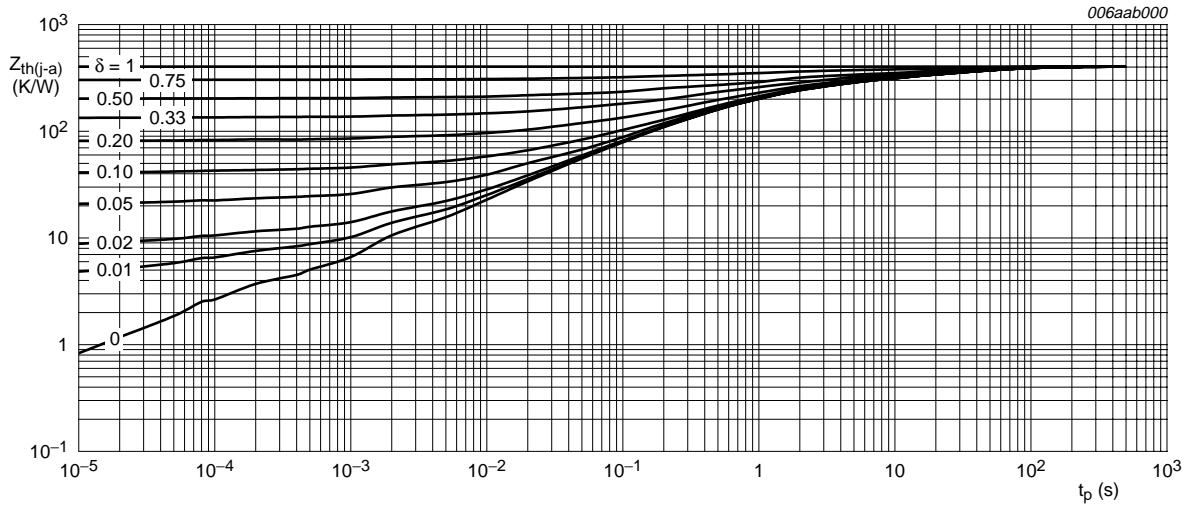
Table 7. Thermal characteristics

| Symbol | Parameter | Conditions | Min | Typ | Max | Unit | | |
|-----------------------|--|----------------------|----------------------|-----|-----|------|-----|-----|
| R _{th(j-a)} | thermal resistance from junction to ambient | in free air | | | | | | |
| | | | PBRN123EK, PBRN123ET | [1] | - | - | 500 | K/W |
| | | | | [2] | - | - | 338 | K/W |
| | | | | [3] | - | - | 219 | K/W |
| | PBRN123ES | | [1] | - | - | 179 | K/W | |
| R _{th(j-sp)} | thermal resistance from junction to solder point | | | | | | | |
| | | PBRN123EK, PBRN123ET | | - | - | 105 | K/W | |

[1] Device mounted on an FR4 PCB, single-sided copper, tin-plated and standard footprint.

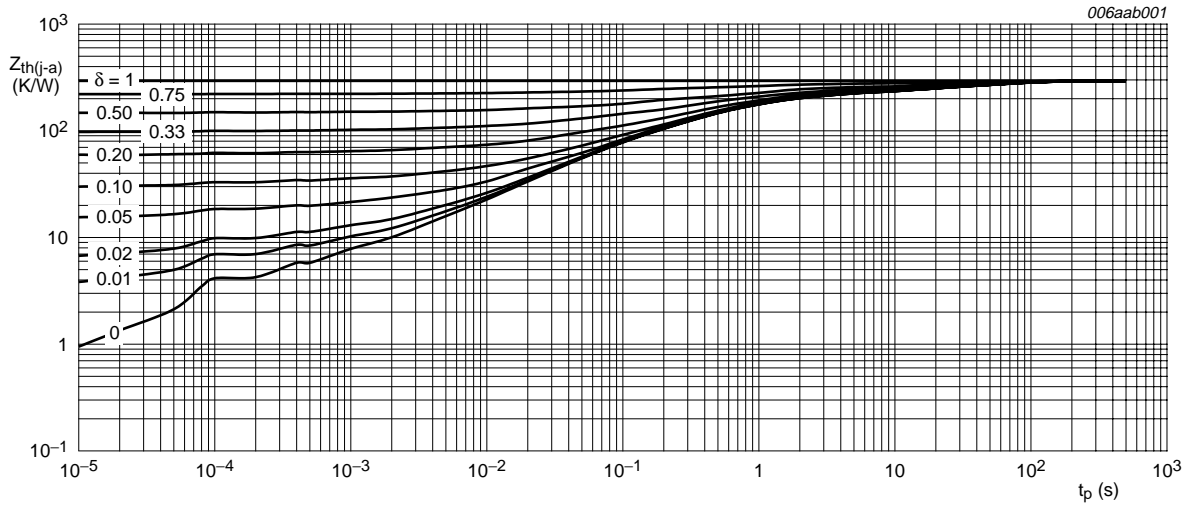
[2] Device mounted on an FR4 PCB, single-sided copper, tin-plated, mounting pad for collector 1 cm².

[3] Device mounted on a ceramic PCB, Al₂O₃, standard footprint.



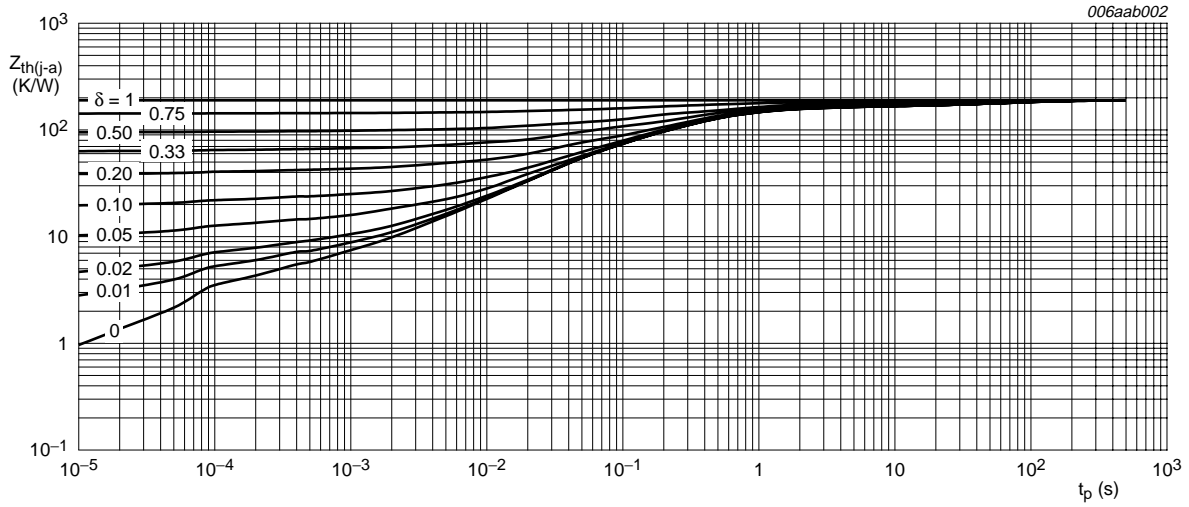
FR4 PCB, standard footprint

Fig 3. Transient thermal impedance from junction to ambient as a function of pulse duration for SOT23 (TO-236AB) and SOT346 (SC-59A/TO-236); typical values



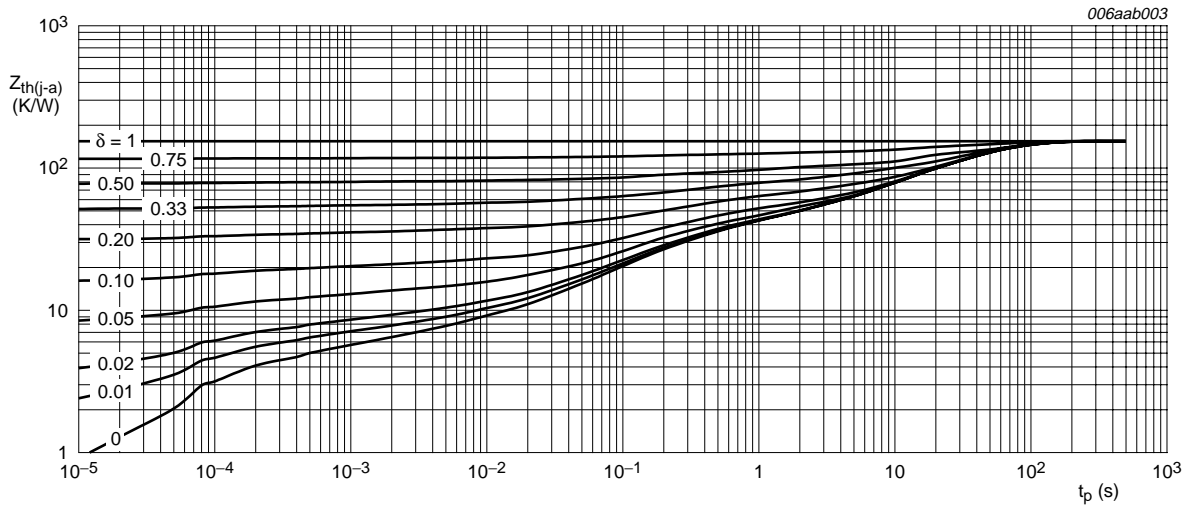
FR4 PCB, mounting pad for collector 1 cm²

Fig 4. Transient thermal impedance from junction to ambient as a function of pulse duration for SOT23 (TO-236AB) and SOT346 (SC-59A/TO-236); typical values



Ceramic PCB, Al₂O₃, standard footprint

Fig 5. Transient thermal impedance from junction to ambient as a function of pulse duration for SOT23 (TO-236AB) and SOT346 (SC-59A/TO-236); typical values



FR4 PCB, standard footprint

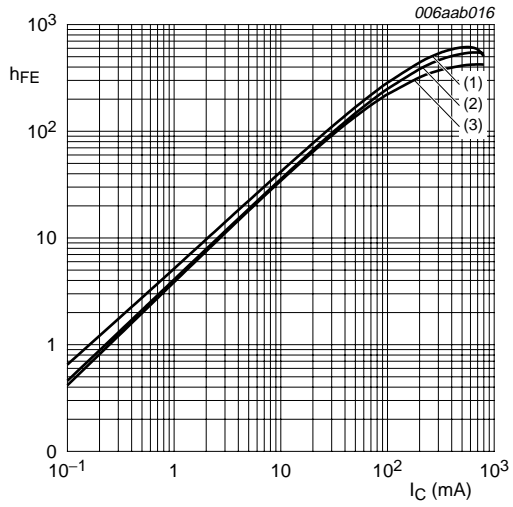
Fig 6. Transient thermal impedance from junction to ambient as a function of pulse duration for SOT54 (SC-43A/TO-92); typical values

7. Characteristics

Table 8. Characteristics
T_{amb} = 25 °C unless otherwise specified.

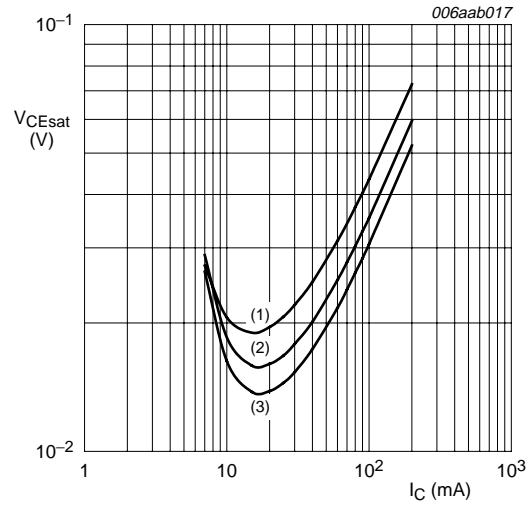
| Symbol | Parameter | Conditions | Min | Typ | Max | Unit |
|---------------------|--------------------------------------|--|---------|------|------|------------|
| I _{CBO} | collector-base cut-off current | V _{CB} = 30 V; I _E = 0 A | - | - | 100 | nA |
| I _{CEO} | collector-emitter cut-off current | V _{CE} = 30 V; I _B = 0 A | - | - | 0.5 | μ A |
| I _{EBO} | emitter-base cut-off current | V _{EB} = 5 V; I _C = 0 A | - | - | 2 | mA |
| h _{FE} | DC current gain | V _{CE} = 5 V; I _C = 50 mA | 70 | 135 | - | |
| | | V _{CE} = 5 V; I _C = 300 mA | [1] 280 | 460 | - | |
| | | V _{CE} = 5 V; I _C = 600 mA | [1] 350 | 560 | - | |
| | | V _{CE} = 5 V; I _C = 800 mA | [1] 340 | 550 | - | |
| V _{CEsat} | collector-emitter saturation voltage | I _C = 50 mA; I _B = 2.5 mA | - | 25 | 35 | mV |
| | | I _C = 200 mA; I _B = 10 mA | - | 60 | 85 | mV |
| | | I _C = 500 mA; I _B = 10 mA | [1] - | 160 | 220 | mV |
| | | I _C = 600 mA; I _B = 6 mA | [1] - | 290 | 550 | mV |
| | | I _C = 800 mA; I _B = 8 mA | [1] - | 0.63 | 1.15 | V |
| V _{I(off)} | off-state input voltage | V _{CE} = 5 V; I _C = 100 μ A | 0.6 | 1 | 1.8 | V |
| V _{I(on)} | on-state input voltage | V _{CE} = 0.3 V; I _C = 20 mA | 1 | 1.3 | 2 | V |
| R1 | bias resistor 1 (input) | | 1.54 | 2.2 | 2.86 | k Ω |
| R2/R1 | bias resistor ratio | | 0.9 | 1 | 1.1 | |
| C _c | collector capacitance | V _{CB} = 10 V; I _E = I _e = 0 A; f = 1 MHz | - | 7 | - | pF |

[1] Pulse test: t_p \leq 300 μ s; $\delta \leq$ 0.02.



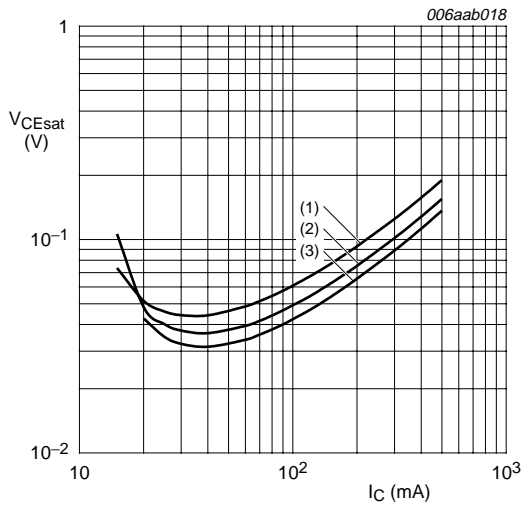
$V_{CE} = 5\text{ V}$
 (1) $T_{amb} = 100\text{ °C}$
 (2) $T_{amb} = 25\text{ °C}$
 (3) $T_{amb} = -40\text{ °C}$

Fig 7. DC current gain as a function of collector current; typical values



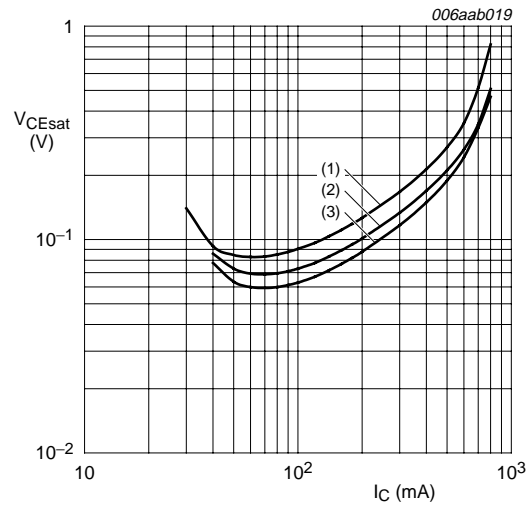
$I_C/I_B = 20$
 (1) $T_{amb} = 100\text{ °C}$
 (2) $T_{amb} = 25\text{ °C}$
 (3) $T_{amb} = -40\text{ °C}$

Fig 8. Collector-emitter saturation voltage as a function of collector current; typical values



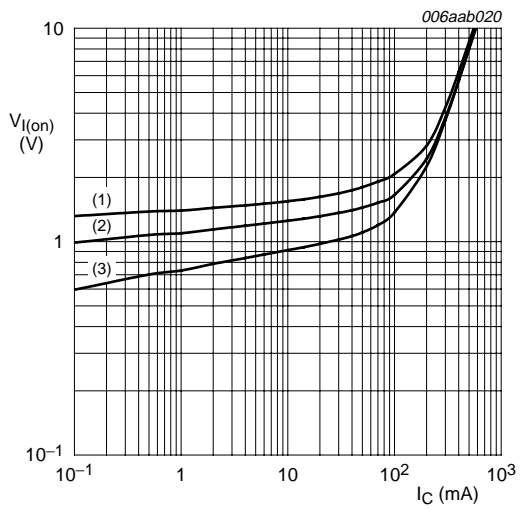
$I_C/I_B = 50$
 (1) $T_{amb} = 100\text{ °C}$
 (2) $T_{amb} = 25\text{ °C}$
 (3) $T_{amb} = -40\text{ °C}$

Fig 9. Collector-emitter saturation voltage as a function of collector current; typical values



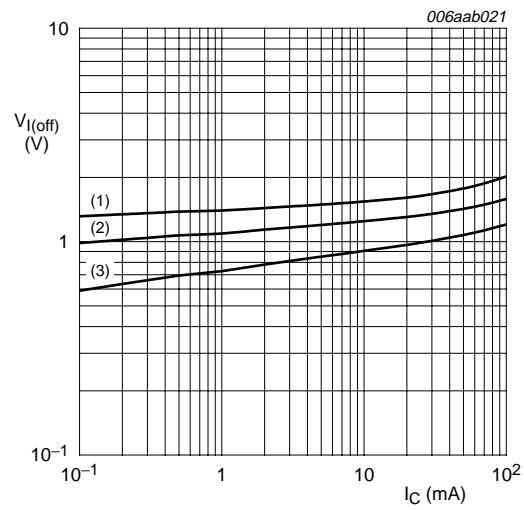
$I_C/I_B = 100$
 (1) $T_{amb} = 100\text{ °C}$
 (2) $T_{amb} = 25\text{ °C}$
 (3) $T_{amb} = -40\text{ °C}$

Fig 10. Collector-emitter saturation voltage as a function of collector current; typical values



$V_{CE} = 0.3 \text{ V}$
 (1) $T_{amb} = -40 \text{ }^\circ\text{C}$
 (2) $T_{amb} = 25 \text{ }^\circ\text{C}$
 (3) $T_{amb} = 100 \text{ }^\circ\text{C}$

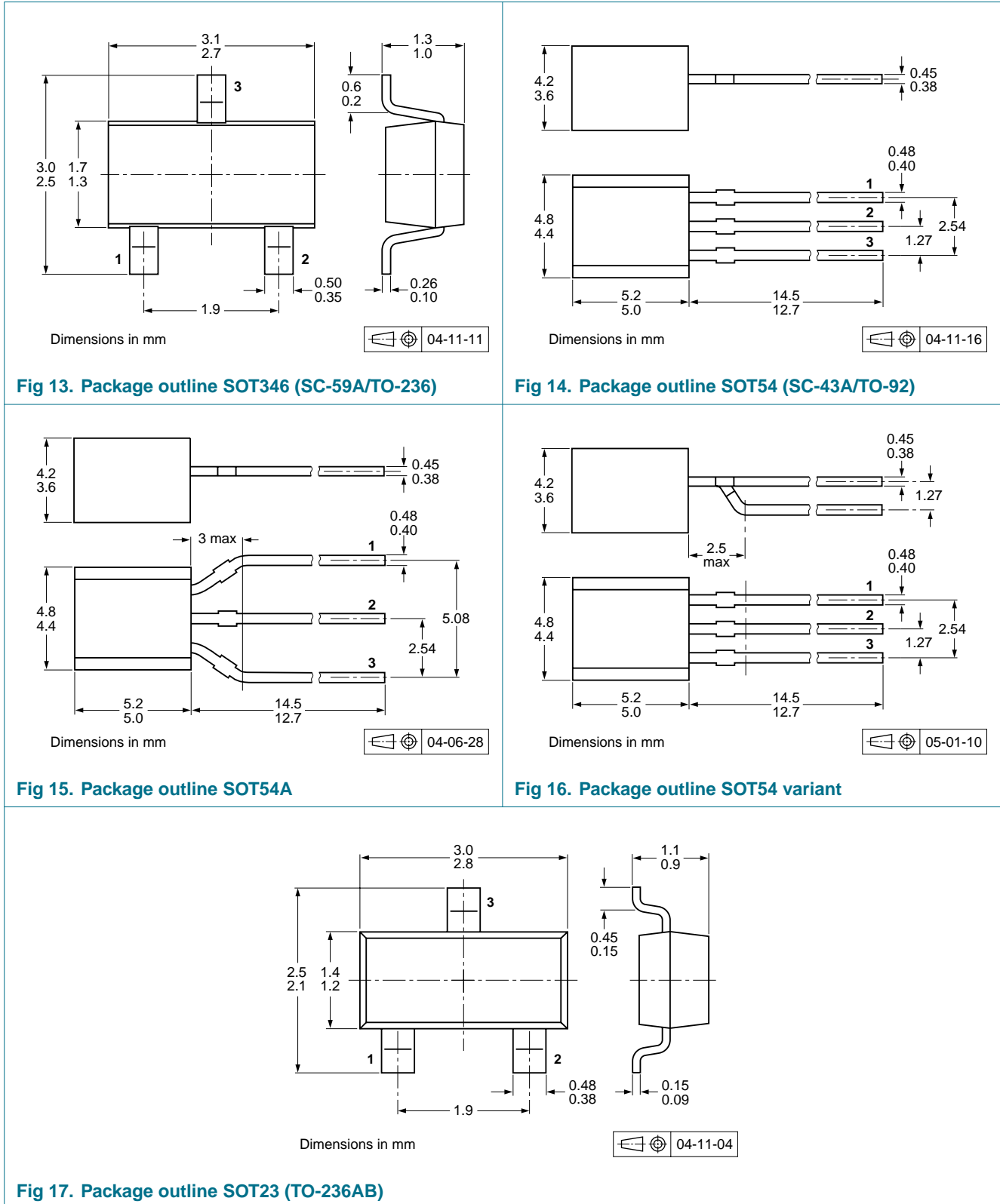
Fig 11. On-state input voltage as a function of collector current; typical values



$V_{CE} = 5 \text{ V}$
 (1) $T_{amb} = -40 \text{ }^\circ\text{C}$
 (2) $T_{amb} = 25 \text{ }^\circ\text{C}$
 (3) $T_{amb} = 100 \text{ }^\circ\text{C}$

Fig 12. Off-state input voltage as a function of collector current; typical values

8. Package outline



9. Packing information

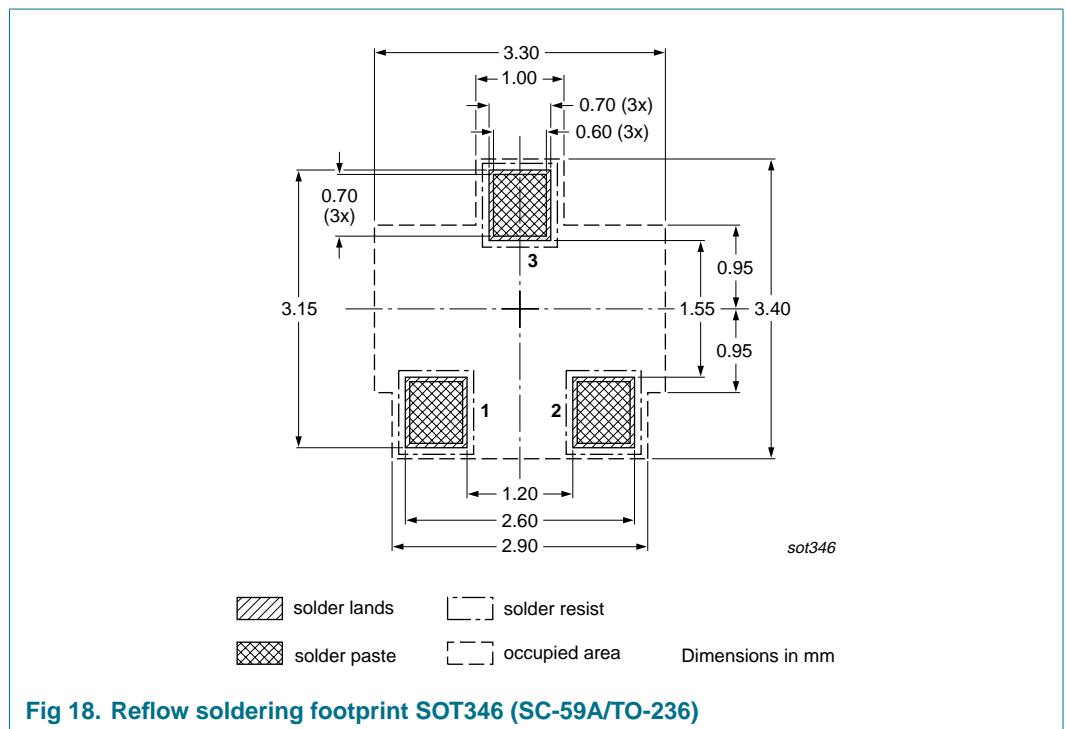
Table 9. Packing methods

The indicated -xxx are the last three digits of the 12NC ordering code.^[1]

| Type number | Package | Description | Packing quantity | | |
|-------------|---------------|--------------------------------|------------------|------|-------|
| | | | 3000 | 5000 | 10000 |
| PBRN123EK | SOT346 | 4 mm pitch, 8 mm tape and reel | -115 | - | -135 |
| PBRN123ES | SOT54 | bulk, straight leads | - | -412 | - |
| | SOT54A | tape and reel, wide pitch | - | - | -116 |
| | | tape ammpack, wide pitch | - | - | -126 |
| | SOT54 variant | bulk, delta pinning | - | -112 | - |
| PBRN123ET | SOT23 | 4 mm pitch, 8 mm tape and reel | -215 | - | -235 |

[1] For further information and the availability of packing methods, see [Section 13](#).

10. Soldering



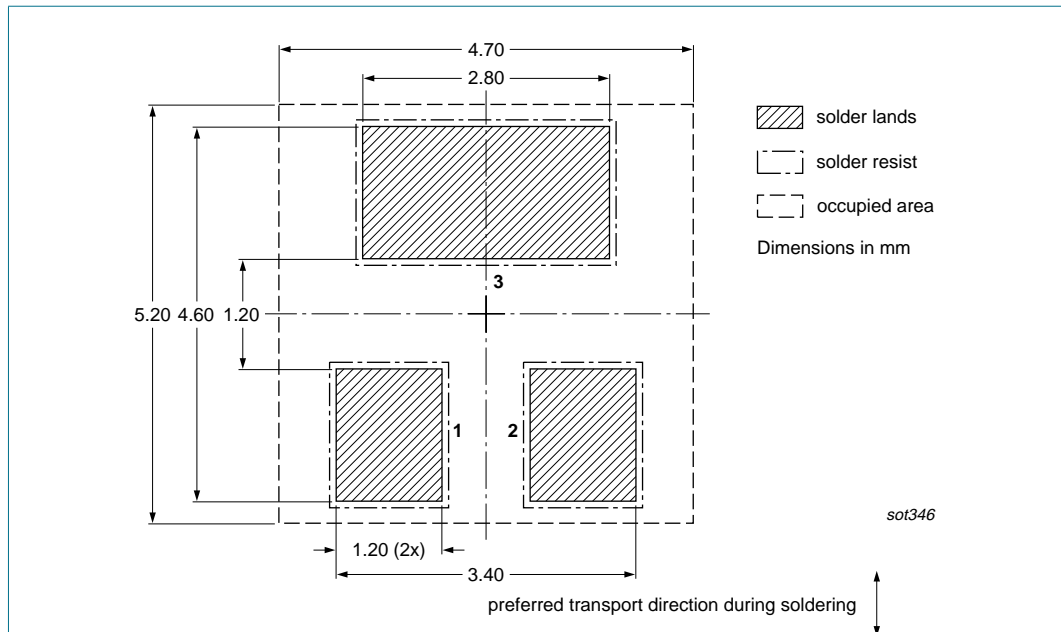


Fig 19. Wave soldering footprint SOT346 (SC-59A/TO-236)

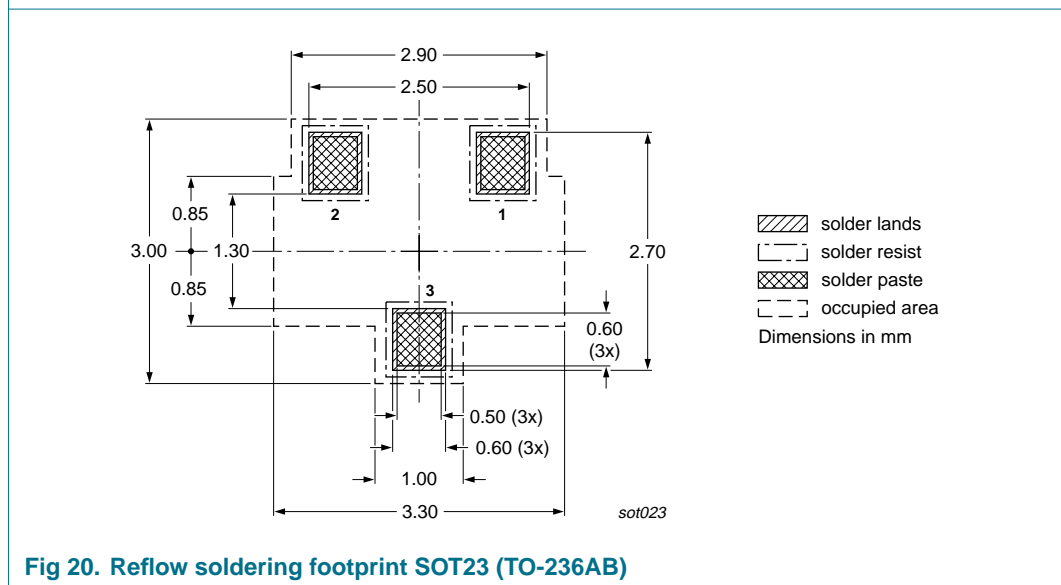
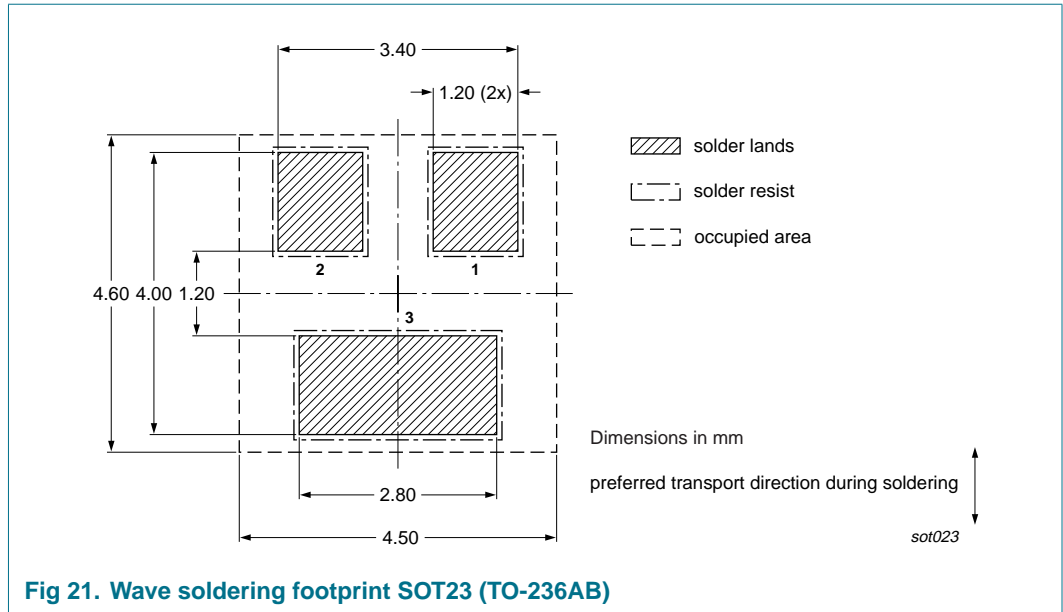


Fig 20. Reflow soldering footprint SOT23 (TO-236AB)



11. Revision history

Table 10. Revision history

| Document ID | Release date | Data sheet status | Change notice | Supersedes |
|----------------|--------------|--------------------|---------------|------------|
| PBRN123E_SER_1 | 20070227 | Product data sheet | - | - |

12. Legal information

12.1 Data sheet status

| Document status ^{[1][2]} | Product status ^[3] | Definition |
|-----------------------------------|-------------------------------|---|
| Objective [short] data sheet | Development | This document contains data from the objective specification for product development. |
| Preliminary [short] data sheet | Qualification | This document contains data from the preliminary specification. |
| Product [short] data sheet | Production | This document contains the product specification. |

[1] Please consult the most recently issued document before initiating or completing a design.

[2] The term 'short data sheet' is explained in section "Definitions".

[3] The product status of device(s) described in this document may have changed since this document was published and may differ in case of multiple devices. The latest product status information is available on the Internet at URL <http://www.nexperia.com>.

12.2 Definitions

Draft — The document is a draft version only. The content is still under internal review and subject to formal approval, which may result in modifications or additions. Nexperia does not give any representations or warranties as to the accuracy or completeness of information included herein and shall have no liability for the consequences of use of such information.

Short data sheet — A short data sheet is an extract from a full data sheet with the same product type number(s) and title. A short data sheet is intended for quick reference only and should not be relied upon to contain detailed and full information. For detailed and full information see the relevant full data sheet, which is available on request via the local Nexperia sales office. In case of any inconsistency or conflict with the short data sheet, the full data sheet shall prevail.

12.3 Disclaimers

General — Information in this document is believed to be accurate and reliable. However, Nexperia does not give any representations or warranties, expressed or implied, as to the accuracy or completeness of such information and shall have no liability for the consequences of use of such information.

Right to make changes — Nexperia reserves the right to make changes to information published in this document, including without limitation specifications and product descriptions, at any time and without notice. This document supersedes and replaces all information supplied prior to the publication hereof.

Suitability for use — Nexperia products are not designed, authorized or warranted to be suitable for use in medical, military, aircraft, space or life support equipment, nor in applications where failure or

malfunction of a Nexperia product can reasonably be expected to result in personal injury, death or severe property or environmental damage. Nexperia accepts no liability for inclusion and/or use of Nexperia products in such equipment or applications and therefore such inclusion and/or use is at the customer's own risk.

Applications — Applications that are described herein for any of these products are for illustrative purposes only. Nexperia makes no representation or warranty that such applications will be suitable for the specified use without further testing or modification.

Limiting values — Stress above one or more limiting values (as defined in the Absolute Maximum Ratings System of IEC 60134) may cause permanent damage to the device. Limiting values are stress ratings only and operation of the device at these or any other conditions above those given in the Characteristics sections of this document is not implied. Exposure to limiting values for extended periods may affect device reliability.

Terms and conditions of sale — Nexperia products are sold subject to the general terms and conditions of commercial sale, as published at <http://www.nexperia.com/profile/terms>, including those pertaining to warranty, intellectual property rights infringement and limitation of liability, unless explicitly otherwise agreed to in writing by Nexperia. In case of any inconsistency or conflict between information in this document and such terms and conditions, the latter will prevail.

No offer to sell or license — Nothing in this document may be interpreted or construed as an offer to sell products that is open for acceptance or the grant, conveyance or implication of any license under any copyrights, patents or other industrial or intellectual property rights.

12.4 Trademarks

Notice: All referenced brands, product names, service names and trademarks are the property of their respective owners.

13. Contact information

For additional information, please visit: <http://www.nexperia.com>

For sales office addresses, send an email to: salesaddresses@nexperia.com

14. Contents

| | | |
|-----------|--|-----------|
| 1 | Product profile | 1 |
| 1.1 | General description | 1 |
| 1.2 | Features | 1 |
| 1.3 | Applications | 1 |
| 1.4 | Quick reference data | 1 |
| 2 | Pinning information | 2 |
| 3 | Ordering information | 3 |
| 4 | Marking | 3 |
| 5 | Limiting values | 3 |
| 6 | Thermal characteristics | 5 |
| 7 | Characteristics | 8 |
| 8 | Package outline | 11 |
| 9 | Packing information | 12 |
| 10 | Soldering | 12 |
| 11 | Revision history | 15 |
| 12 | Legal information | 16 |
| 12.1 | Data sheet status | 16 |
| 12.2 | Definitions | 16 |
| 12.3 | Disclaimers | 16 |
| 12.4 | Trademarks | 16 |
| 13 | Contact information | 16 |
| 14 | Contents | 17 |