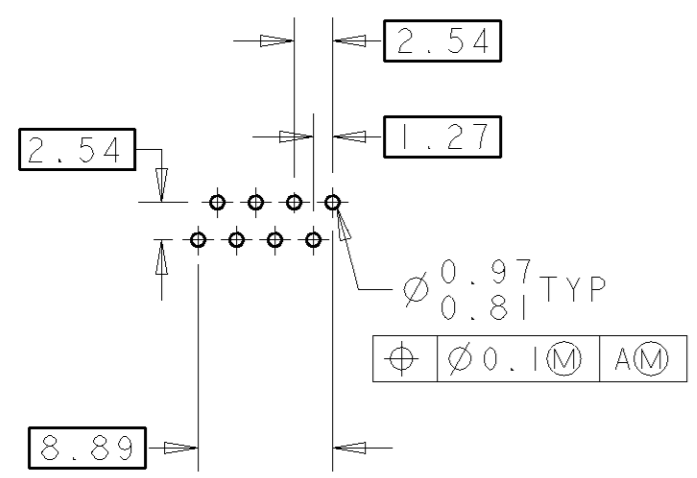
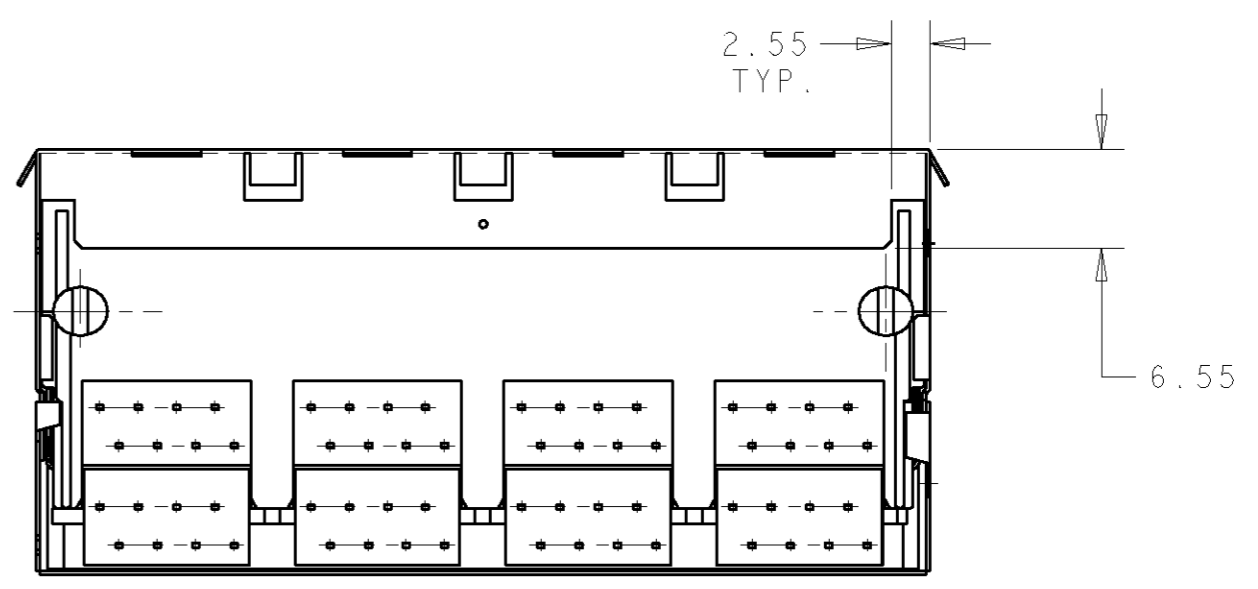
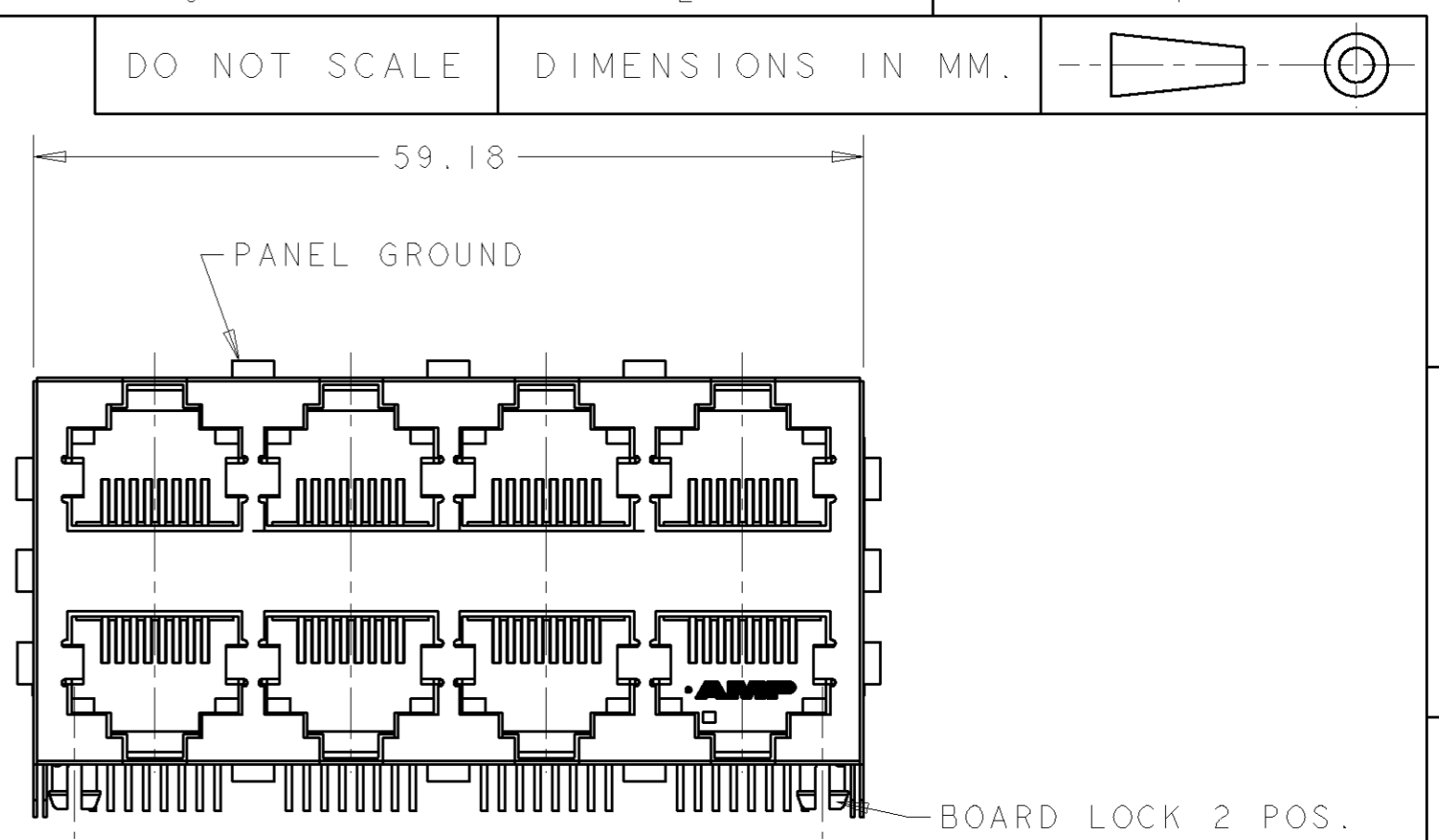
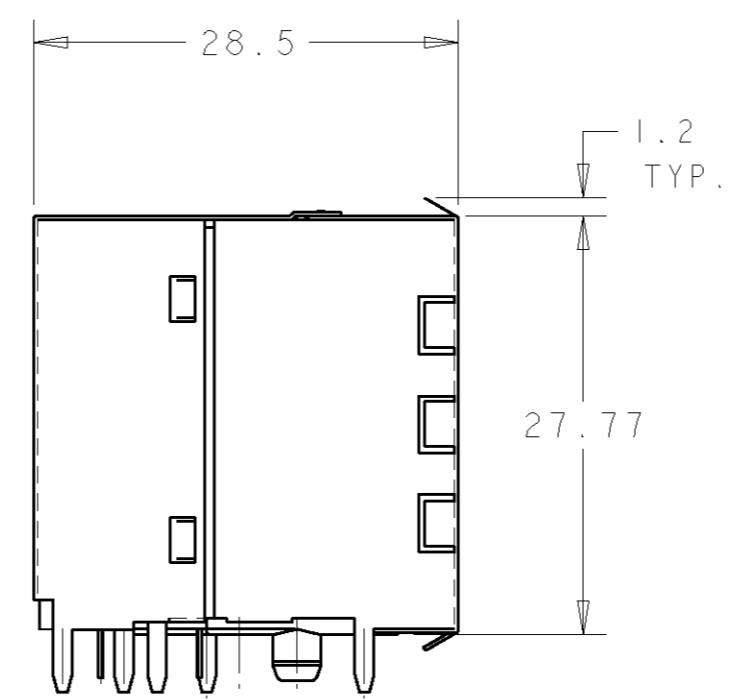
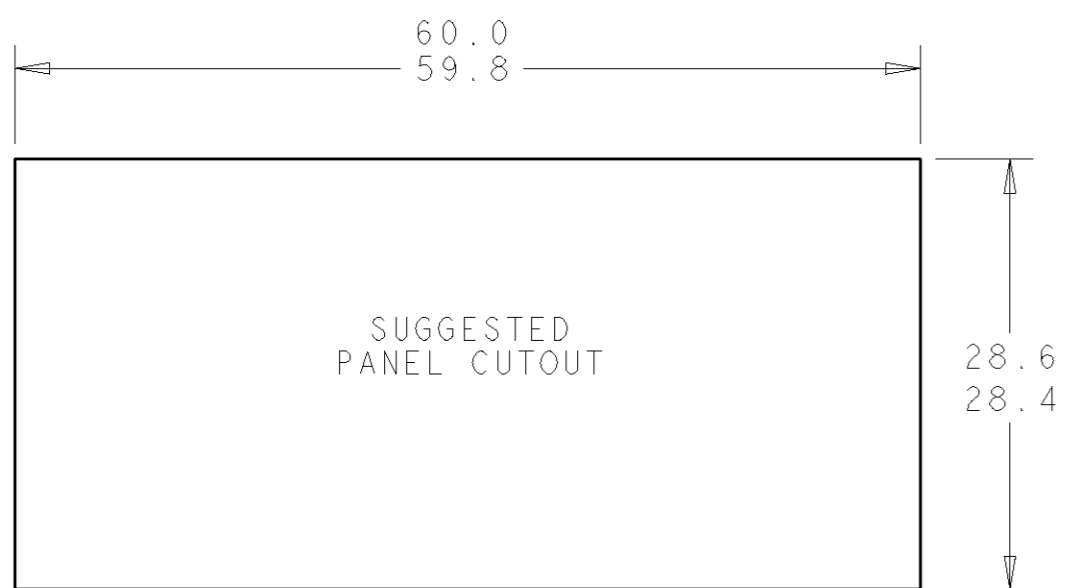
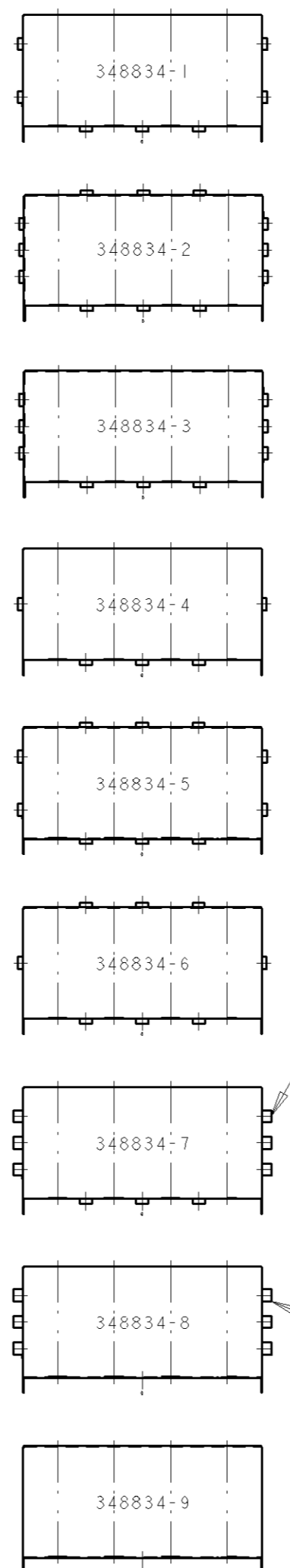


C.A.D. FILE CODE
C348834



SCRAP VIEW OF HOLE POSITIONS PER PORT

PANEL GROUND VARIANTS



SHIELDING

BRASS, TIN PLATED OVER COPPER.
HOUSING AND CONTACT INSERTS MATERIAL

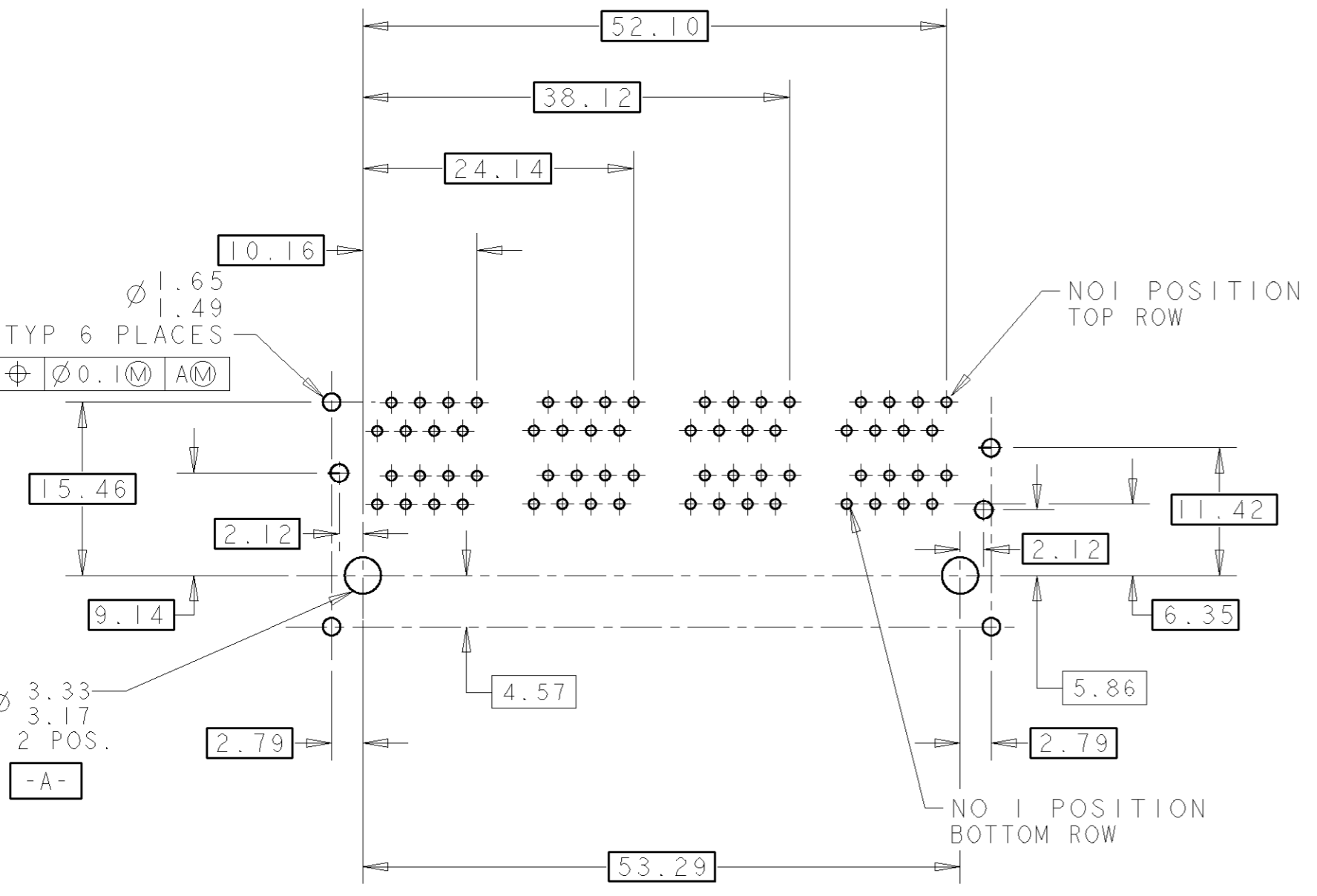
PBT, 30% G/R, UL94V-0/5V RATED, BLACK.

CONTACTS

PHOS. BRONZE, SELECTIVELY GOLD PLATED OVER NICKEL
TIN/LEAD ON SOLDER TAILS.

PACKAGING

16 CONNECTORS PER TRAY.
5 TRAYS PER CARTON.



PCB HOLE POSITIONS VIEWED FROM CONNECTOR SIDE OF BOARD

LONG PANEL GROUND TABS BOTH SIDES

AS DRAWN

LONG PANEL GROUND TABS BOTH SIDES

FINISH	MATERIAL	PART NUMBER
OBSOLETE		348834-9
SEE DRAWING	SEE DRAWING	348834-8
OBSOLETE		348834-7
OBSOLETE		348834-6
OBSOLETE		348834-5
OBSOLETE		348834-4
OBSOLETE		348834-3
OBSOLETE		348834-2
OBSOLETE		348834-1

CUSTOMER DWG FOR REFERENCE ONLY				THIS INFORMATION IS CONFIDENTIAL AND IS DISCLOSED TO YOU ON CONDITION THAT NO FURTHER DISCLOSURE IS MADE BY YOU TO OTHER THAN AMP PERSONNEL WITHOUT WRITTEN AUTHORIZATION FROM AMP OF GREAT BRITAIN LTD.	
A	J. SANDWELL	EB00-0177-02	18-06-02	TOLERANCES UNLESS OTHERWISE STATED :	DR. D.R. TERRY 10 MAR 1995
6	D.R. TERRY	EB00-0488-97	15-9-97	DEC ± 0.5	CH. R. GOODALL APP. R. GOODALL
5	D.R. TERRY	EB00-0010-96	9-1-96	ANGLES ± 1°	
4	D.R. TERRY	EB00-0462-95	8-11-95		
3	D.R. TERRY	EB00-0394-95	26-9-95		
2	D.R. TERRY	EB00-0314-95	8-8-95		
1	R. GOODALL	FIRST ISSUE	22-5-95		
REV	APPROVED	CHANGE No.	DATE	SCALE	LOC
				2/1	E
				SIZE	A2
				DWG. No.	C348834
				REV	A
				SHEET	1/1