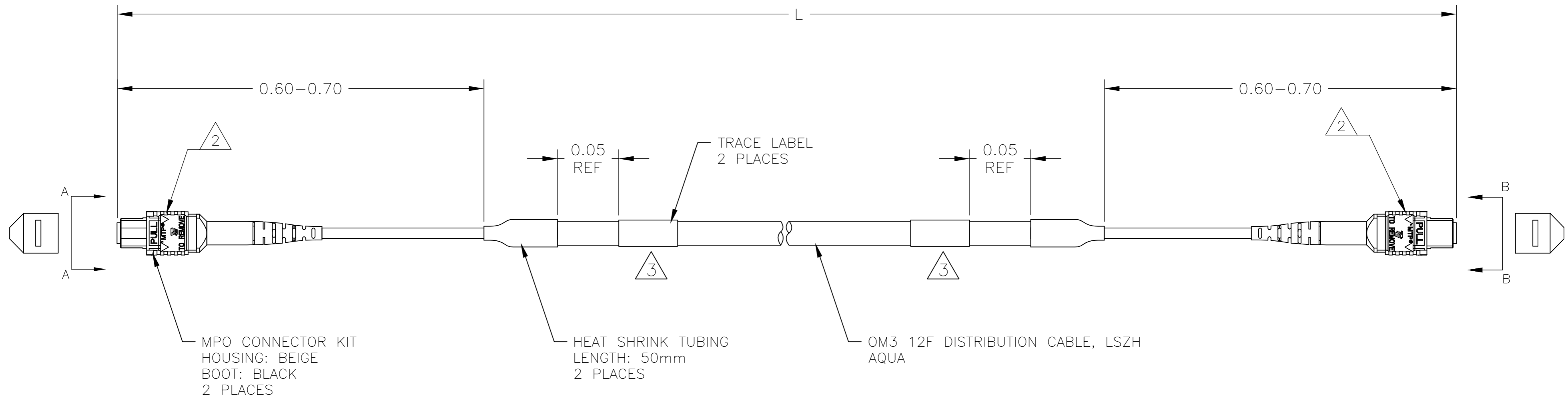


LOC	DIST	REVISIONS			
P	LTR	DESCRIPTION	DATE	DWN	APVD
HG	-				
	H4	Add new dash no. 3-1 3-2	22NOV2013	KH	JP



- LOSS OF CABLE ASSEMBLY $\leq 0.6\text{dB}$ PER IEC61300-3-4 @850nm
 CPR 20-24dB PLUS CABLE ATTENUATION 3.5dB/KM
 RETURN LOSS $\geq 20\text{dB}$ @850nm.

② WHITE MARK ON CONNECTOR BODY INDICATES FIBER 1 SIDE.

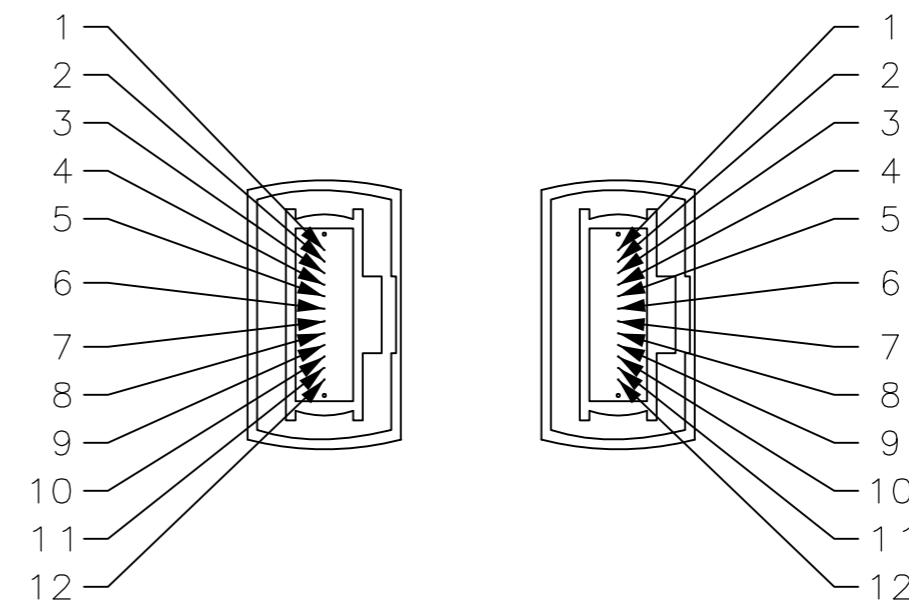
③ PRINT THE LABEL AS SHOWN:



- LSZH CABLE SHALL COMPLY WITH THE FOLLOWING REQUIREMENTS:
 - FIRE PROPAGATION: IEC 60332-2 OR -1
 - SMOKE EMISSION: IEC 601034
 - ACID GAS EMISSION: IEC 60754
 - TOXICITY: NES 713

PAIRS FLIPPED

FIBER #	COLOR
1	BLUE
2	ORANGE
3	GREEN
4	BROWN
5	SLATE
6	WHITE
7	RED
8	BLACK
9	YELLOW
10	VIOLET
11	ROSE
12	AQUA



FIBER #	COLOR
1	ORANGE
2	BLUE
3	BROWN
4	GREEN
5	WHITE
6	SLATE
7	BLACK
8	RED
9	VIOLET
10	YELLOW
11	AQUA
12	ROSE

VIEW A-A
NOT TO SCALE

VIEW B-B
NOT TO SCALE

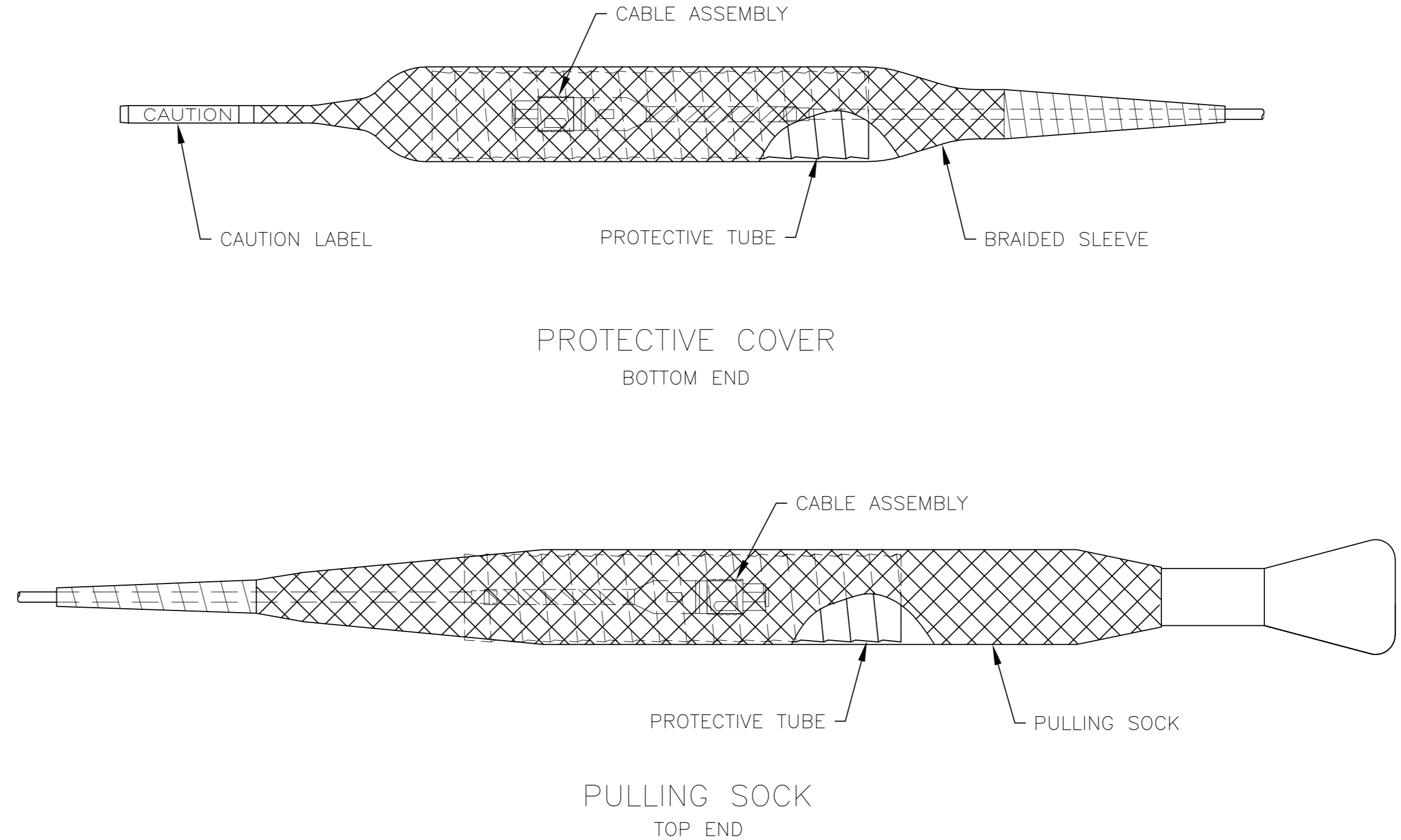
LIGHTRAY CONNECTOR FIBER PATH

THIS DRAWING IS A CONTROLLED DOCUMENT.		DWN SHI BI YUN 10NOV05		
DIMENSIONS: METER		CHK ALLEN GUMP 10NOV05		
TOLERANCES UNLESS OTHERWISE SPECIFIED:		APVD RICHARD ZHAO 10NOV05	NAME MPO TO MPO TRUNK OM3 12F LSZH P/FLIPPED	
0 PLC ± -		PRODUCT SPEC	-	
1 PLC ± -		APPLICATION SPEC	-	
2 PLC ± -		WEIGHT	-	
3 PLC ± -		SIZE A2	CAGE CODE 00779	DRAWING NO. C=1568682
4 PLC ± -		MATERIAL	RESTRICTED TO	
ANGLES ± -		FINISH	-	
CUSTOMER DRAWING		SCALE NTS	SHEET 1 OF 2	REV H4

THIS DRAWING IS UNPUBLISHED. RELEASED FOR PUBLICATION
 © COPYRIGHT - By - ALL RIGHTS RESERVED.

LOC	DIST	REVISIONS			
P	LTR	DESCRIPTION	DATE	DWN	APVD
HG	-	SEE SHEET 1	-	-	-

PART NUMBER	L (METER)	
	MIN	MAX
0-1568682-1	10.00	10.20
0-1568682-2	20.00	20.40
0-1568682-3	30.00	30.60
0-1568682-4	40.00	40.80
0-1568682-5	50.00	51.00
0-1568682-6	60.00	61.20
0-1568682-7	70.00	71.40
0-1568682-8	80.00	82.40
0-1568682-9	90.00	92.70
1-1568682-0	100.00	103.00
1-1568682-1	110.00	115.50
1-1568682-2	120.00	126.00
1-1568682-3	130.00	136.50
1-1568682-4	140.00	147.00
1-1568682-5	150.00	157.50
1-1568682-6	160.00	168.00
1-1568682-7	170.00	178.50
1-1568682-8	180.00	189.00
1-1568682-9	190.00	199.50
2-1568682-0	200.00	210.00
2-1568682-1	210.00	220.50
2-1568682-2	220.00	231.00
2-1568682-3	230.00	241.50
2-1568682-4	240.00	252.00
2-1568682-5	250.00	262.50
2-1568682-6	260.00	273.00
2-1568682-7	270.00	283.50
2-1568682-8	280.00	294.00
2-1568682-9	290.00	304.50
3-1568682-0	300.00	315.00
3-1568682-1	17.00	17.34
3-1568682-2	28.00	28.56
4-1568682-0	5.00	5.20
4-1568682-1	15.00	15.30
4-1568682-2	25.00	25.50
4-1568682-3	35.00	35.70
4-1568682-4	45.00	45.90
4-1568682-5	55.00	56.10
4-1568682-6	65.00	66.30
4-1568682-7	75.00	76.50
4-1568682-8	85.00	87.55
4-1568682-9	95.00	97.85
7-1568682-1	6.00	6.20
7-1568682-2	9.00	9.20
7-1568682-3	12.00	12.24
7-1568682-4	18.00	18.36
7-1568682-5	21.00	21.42
7-1568682-6	24.00	24.48
7-1568682-7	27.00	27.54
7-1568682-8	33.00	33.66
7-1568682-9	36.00	36.72
8-1568682-0	39.00	39.78
8-1568682-1	42.00	42.84
8-1568682-2	48.00	48.96
8-1568682-3	51.00	52.02
8-1568682-4	88.00	90.64
9-1568682-3	3.00	3.20
9-1568682-4	4.00	4.20
9-1568682-7	7.00	7.20
9-1568682-8	8.00	8.20



THIS DRAWING IS A CONTROLLED DOCUMENT.		DWN	SHI BI YUN	10NOV05	TE TE Connectivity
DIMENSIONS: METER		CHK	ALLEN GUMP	10NOV05	
TOLERANCES UNLESS OTHERWISE SPECIFIED:		APVD	RICHARD ZHAO	10NOV05	NAME
0 PLC ± -		PRODUCT SPEC		MPO TO MPO TRUNK OM3 12F LSZH P/FLIPPED	
1 PLC ± -		APPLICATION SPEC		-	
2 PLC ± -		WEIGHT		-	
3 PLC ± -		SIZE		A2	
4 PLC ± -		CAGE CODE		00779	
ANGLES ± -		DRAWING NO		C=1568682	
FINISH		RESTRICTED TO		-	
MATERIAL		SCALE		NTS	
-		SHEET		2 OF 2	
CUSTOMER DRAWING		REV		H4	