



Features

- Formerly J.W. Miller® model
- Current rating up to 6.33 A
- Inductance range: 10 μ H to 18,000 μ H
- RoHS compliant*

Applications

- DC/DC converters
- Power supplies
- Desktop notebooks
- Output chokes

6100 Series - Radial Lead RF Choke

Electrical Specifications (@ 25 °C)

Part Number	Inductance (μ H) \pm 10 % @ 100 kHz / 0.1 V	SRF (MHz) Typ.	DCR (W) Max.	Idc (A)
6100-100K-RC	10	21.0	0.020	6.33
6100-120K-RC	12	18.3	0.022	5.75
6100-150K-RC	15	15.5	0.024	5.28
6100-180K-RC	18	13.8	0.027	4.80
6100-220K-RC	22	12.0	0.039	4.52
6100-270K-RC	27	11.3	0.047	3.75
6100-330K-RC	33	10.5	0.059	3.39
6100-390K-RC	39	9.4	0.079	3.08
6100-470K-RC	47	8.3	0.084	2.79
6100-560K-RC	56	7.6	0.089	2.57
6100-680K-RC	68	6.8	0.11	2.38
6100-820K-RC	82	6.3	0.15	2.18
6100-101K-RC	100	5.8	0.16	1.98
6100-121K-RC	120	5.0	0.23	1.80
6100-151K-RC	150	4.2	0.24	1.61
6100-181K-RC	180	3.9	0.31	1.45
6100-221K-RC	220	3.5	0.35	1.32
6100-271K-RC	270	3.2	0.52	1.18
6100-331K-RC	330	2.9	0.60	1.10
6100-391K-RC	390	2.8	0.64	1.00
6100-471K-RC	470	2.6	0.77	0.90
6100-561K-RC	560	2.3	0.87	0.83
6100-681K-RC	680	2.0	1.09	0.76
6100-821K-RC	820	1.8	1.44	0.69
6100-102K-RC	1000	1.6	1.55	0.62
6100-122K-RC	1200	1.4	2.20	0.57
6100-152K-RC	1500	1.3	2.50	0.51
6100-182K-RC	1800	1.2	3.65	0.47
6100-222K-RC	2200	1.1	4.26	0.42
6100-272K-RC	2700	1.0	5.41	0.38
6100-332K-RC	3300	1.0	5.63	0.35
6100-392K-RC	3900	0.9	6.62	0.32
6100-472K-RC	4700	0.8	8.23	0.29
6100-562K-RC	5600	0.7	9.45	0.27
6100-682K-RC	6800	0.6	13.2	0.24
6100-822K-RC	8200	0.5	16.0	0.22
6100-103K-RC	10,000	0.5	19.3	0.20
6100-123K-RC	12,000	0.4	23.2	0.19
6100-153K-RC	15,000	0.3	30.4	0.17
6100-183K-RC	18,000	0.3	34.1	0.16

General Specifications

Rated Current..... Inductance drop 5 %
typical at I dc
Operating Temperature
..... -40 °C to +125 °C
Storage Temperature
..... -40 °C to +125 °C

Materials

Core Material..... Ferrite
Wire Enameled copper
Terminal Coating..... Sn

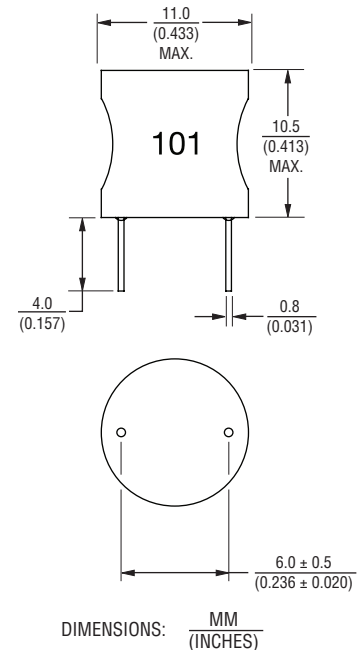
Marking

..... Value code on side of inductor

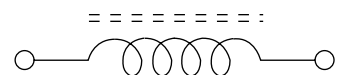
Packaging

Standard..... 160 pcs. per tray

Product Dimensions



Electrical Schematic



How To Order

6100 - 562K - RC

Model _____
Value Code (see table) _____
Compliance Code _____
RC = RoHS Compliant

Example: 6100-562K-RC = 5600 μ H, \pm 10 %



WARNING Cancer and Reproductive Harm
www.P65Warnings.ca.gov

REV. 04/20

*RoHS Directive 2015/863, Mar 31, 2015 and Annex.

Specifications are subject to change without notice.

Users should verify actual device performance in their specific applications.

The products described herein and this document are subject to specific legal disclaimers as set forth on the last page of this document, and at www.bourns.com/docs/legal/disclaimer.pdf.

