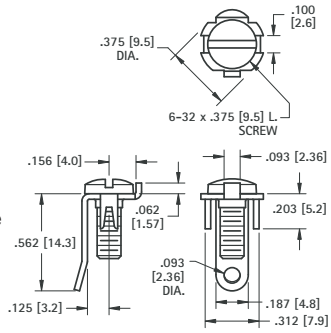


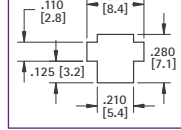
SCREW TERMINALS



OFFSET LEG



Mounting Detail

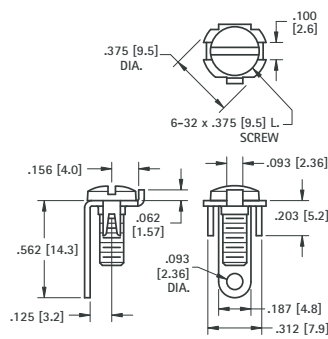


SPECIFICATIONS

Terminal: .032 (.81) Steel, Tin Plate
Screw: Steel, Nickel Plate
 (Screw Installed & Captivated)
Rated: 15 Amps

CAT. NO. 1248

STRAIGHT LEG



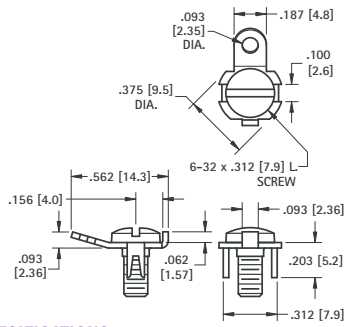
SPECIFICATIONS

Terminal: .032 (.81) Steel, Tin Plate
Screw: Steel, Nickel Plate
 (Screw Installed & Captivated)
Rated: 15 Amps

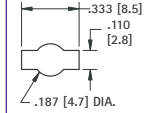
CAT. NO. 1215



SOLDER TAB



Mounting Detail

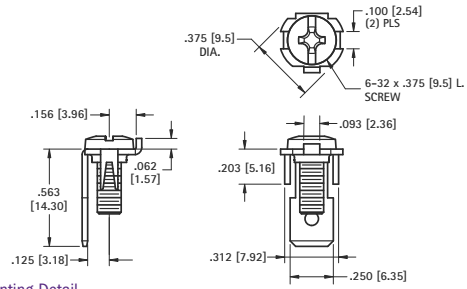


SPECIFICATIONS

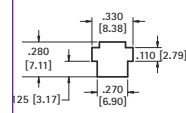
Terminal: .032 (.81) Steel, Tin Plate
Screw: Steel, Nickel Plate
 (Screw Installed & Captivated)
Rated: 15 Amps

CAT. NO. 1232

QUICK FIT



Mounting Detail



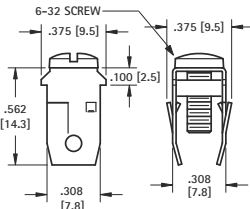
SPECIFICATIONS

Terminal: .032 (.81) Brass, Tin Plate
Screw: Steel, Nickel Plate
 (Screw Installed & Captivated)
Rated: 15 Amps

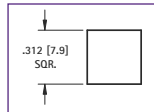


CAT. NO. 1217

SOLDER



Mounting Detail

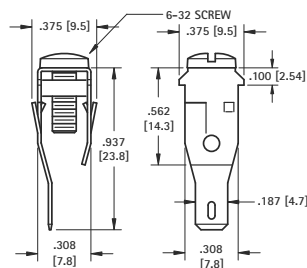


SPECIFICATIONS

Terminal: .020 (.51) Steel, Tin Plate
Screw: Steel, Zinc Plate,
 (Screw Installed & Captivated)
Rated: 15 Amps

CAT. NO. 1272

QUICK-FIT



SPECIFICATIONS

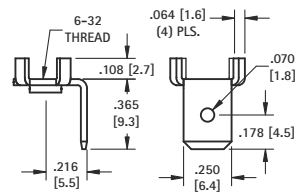
Terminal: .020 (.51) Steel, Tin Plate
Screw: Steel, Zinc Plate,
 (Screw Installed & Captivated)
Rated: 15 Amps

CAT. NO. 1273

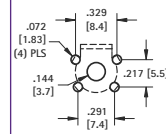
QUICK-FIT



Supplied Unassembled



Mounting Detail



SPECIFICATIONS

Material: .032 (.81) Brass, Nickel Plate
Rated: 15 Amps

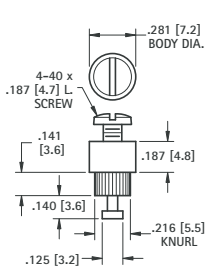
CAT. NO. 1247 (No Screw Supplied)

CAT. NO. 1251 (Screw Installed)

BINDING POST TERMINALS (RIVET TYPE)

SPECIFICATIONS Terminal: Brass, Tin Plate **Screw:** Steel, Zinc Plate (Screw Supplied Unassembled)

4-40

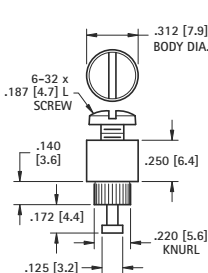


Mounting Hole: .220 (5.6)

CAT. NO. 1537

FOR .093 (2.38) BOARD

6-32

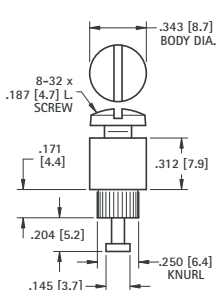


Mounting Hole: .225 (5.7)

CAT. NO. 1535

FOR .093 (2.38) BOARD

8-32



Mounting Hole: .255 (6.5)

CAT. NO. 1536

FOR .125 (3.2) BOARD