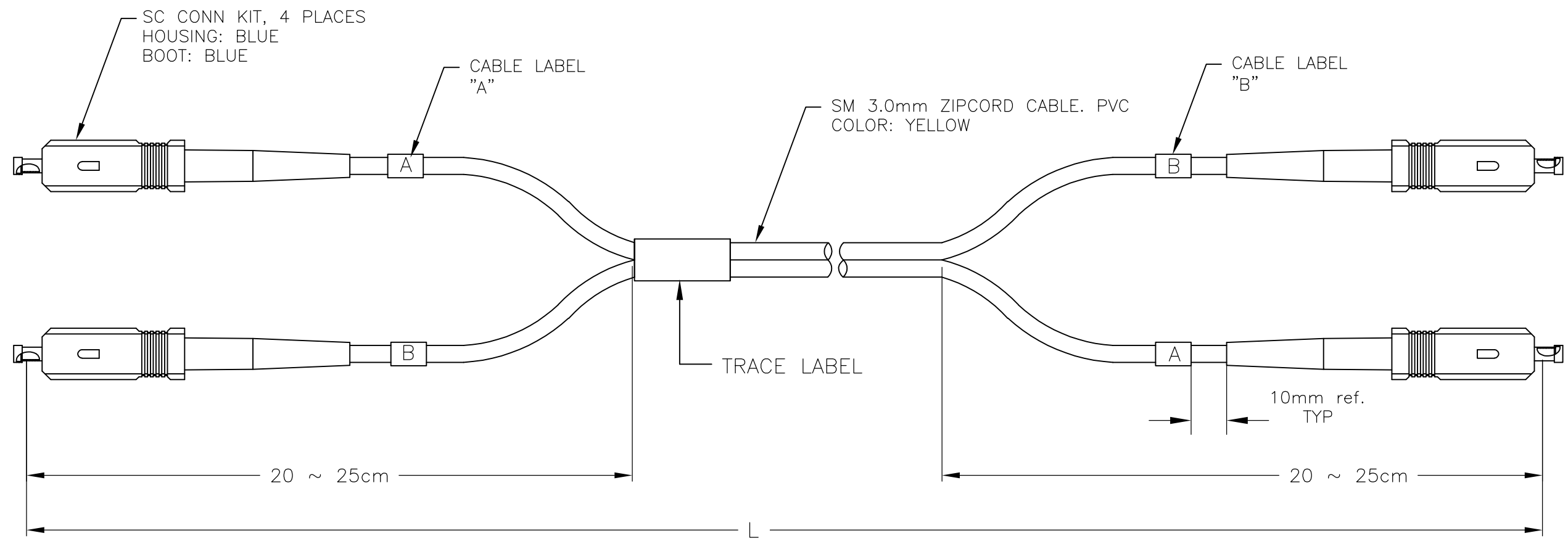
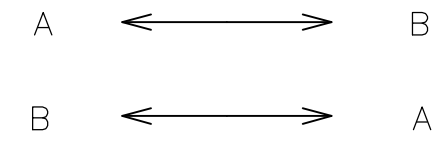


THIS DRAWING IS UNPUBLISHED. RELEASED FOR PUBLICATION
 © COPYRIGHT - By - ALL RIGHTS RESERVED.

LOC	DIST	REVISIONS					
HG	-	P	LTR	DESCRIPTION	DATE	DWN	APVD
			B1	ADD 9-9	18SEP2013	HZ	RZ



- 0.5 dB MAX INSERTION LOSS
- 55 dB MIN RETURN LOSS
- SUPPLY FILLED OUT TEST RESULT SHEET WITH EACH INDIVIDUALLY PACKED ASSEMBLY.



STANDARD LENGTHS (XY) ACC. TO CUSTOMER DRAWING 1206850	
PART NUMBER	"L" (meter)
X-5288214-Y	XY.0
8-5288214-1	100
9-5288214-7	7.5
9-5288214-9	1000

THIS DRAWING IS A CONTROLLED DOCUMENT.		DWN	KATHY HE	23JUN06	 TE Connectivity					
DIMENSIONS: METER		CHK	ALLEN GUMP	23JUN06						
TOLERANCES UNLESS OTHERWISE SPECIFIED:		APVD	RICHARD ZHAO	23JUN06						
 0 PLC ± - 1 PLC ± - 2 PLC ± - 3 PLC ± - 4 PLC ± - ANGLES ± -		NAME		FOSM LEAD 3.0TZ SC TO SC						
MATERIAL		PRODUCT SPEC		APPLICATION SPEC	SIZE	CAGE CODE	DRAWING NO	RESTRICTED TO		
-		-		WEIGHT	A3	00779	C-5288214	-		
CUSTOMER DRAWING					SCALE	NTS	SHEET	1 OF 1	REV	B1