

# TERMS & CONDITIONS

## MINIMUM ORDER

\$5,000.00

## PAYMENT TERMS

Net 30 days from date of invoice.

## F.O.B. POINT

Thomas & Betts Corporation

## LIMITED WARRANTY

Seller's liability under this warranty is limited to the repair or replacement of any unit which proves, in the reasonable opinion of Thomas & Betts, to be defective in material or workmanship under normal use and service, provided the unit is returned, transportation charges prepaid, to the Thomas & Betts Corporation shipping point within 90 days from date of shipment. Seller will in no case be responsible for special, incidental or consequential damages of any type or kind including, but not by way of limitation, cost of removal of units or reinstallation and loss of revenue. Thomas & Betts Corporation makes no warranty of merchantability or suitability for a particular purpose. This warranty is in lieu of all other warranties expressed or implied. Product mis-installation, abuse or mis-use will void this limited warranty.

## RETURN OF GOODS

Merchandise returns must have a written advance return authorization number from Thomas & Betts. Return merchandise will be subject to a restocking charge plus transportation cost.

## PRICES & TERMS SUBJECT TO CHANGE WITHOUT NOTICE

Thomas & Betts has made every effort to verify the accuracy of all information contained in this catalog prior to publication. However, due to the extent of the technical data contained herein, we cannot and do not guarantee the complete absence of errors and omissions, hence, no responsibility for same can be, nor is, assumed. Further, Thomas & Betts reserves the right to change specifications, without prior notice, on any parts illustrated in this catalog.

## Table of Contents

### **DROP CONNECTORS & ACCESSORIES .....Page 3-40**

<b>Snap-N-Seal®</b> .....	<b>5</b>
Connectors .....	6-15
Accessories & Security Shields .....	16
<b>Multi-Fit™ Connectors</b> .....	<b>17-20</b>
<b>Hex Crimp</b> .....	<b>21-23</b>
<b>Miscellaneous</b> .....	<b>24-40</b>
Female Splice Connectors "F" Series .....	24
"F" Series Hardware .....	25
Adaptors "F" Series .....	26-30
Terminators & Security Shields "F" Series .....	31-32
Ground Blocks "F" Series .....	33-34
Attenuator Pads "F" Series .....	35
EDC (IEC) Series Connectors .....	36
Self Terminating Connectors .....	37
Adaptors & Crimp On Connectors "N" Series .....	38-39
Easy Access Wall Plate .....	40

### **TRUNK & DISTRIBUTION CONNECTORS.....Page 41-62**

<b>LRC 2-Piece "K" Series</b> .....	<b>44-49</b>
Pin Connectors .....	44
Splices.....	45
Pin Type Extension Connectors .....	46
Hardline to "F" Female Bulkhead Adaptors .....	47
Hardline to "F" Male Adaptors .....	48
Cable Terminators .....	49
<b>LRC 3-Piece "G" Series</b> .....	<b>50</b>
<b>LRC 3-Piece "W" Series</b> .....	<b>51-58</b>
Pin Connectors .....	51
Splices .....	52
Pin Type Extension Connectors .....	53
Hardline to "F" Female Bulkhead Adaptors .....	54
Hardline to "F" Male Adaptors .....	55
Cable Terminators .....	56
20 Ohm Power Connector & Splice .....	57-58
<b>Miscellaneous</b> .....	<b>59-61</b>
SNS320QR Connector .....	59
Feed Thru Entry Connectors .....	60
Fiber Entry Connectors.....	61

### **TRUNK & DISTRIBUTION ADAPTORS.....Page 63-81**

Entry to Entry Adaptors .....	65
Entry Adaptors .....	66
Right Angle Adaptors .....	67-68
180° Adaptors .....	69-70

*continued on next page*

# TRUNK & DISTRIBUTION

# CONNECTORS

## Table of Contents

<b>Trunk &amp; Distribution Connectors</b> .....	<b>Page 41-62</b>
<b>LRC 2-Piece "K" Series</b> .....	<b>44-49</b>
Pin Connectors.....	44
Splices .....	45
Pin Type Extension Connectors .....	46
Hardline to "F" Female Bulkhead Adaptors .....	47
Hardline to "F" Male Adaptors.....	48
Cable Terminators.....	49
<b>LRC 3-Piece "G" Series</b> .....	<b>50</b>
<b>LRC 3-Piece "W" Series</b> .....	<b>51-58</b>
Pin Connectors.....	51
Splices .....	52
Pin Type Extension Connectors .....	53
Hardline to "F" Female Bulkhead Adaptors .....	54
Hardline to "F" Male Adaptors .....	55
Cable Terminators.....	56
<b>Miscellaneous</b> .....	<b>59-61</b>
SNS320QR Connector .....	59
Feed Thru Entry Connectors.....	60
Fiber Entry Connectors.....	61

# LRC® CONNECTORS FEATURES AND BENEFITS



## Features

- 2-pc and 3-pc versions manufactured

---

- Robust 4-finger terminal center conductor seizing mechanism

---

- Polyethylene O-ring seal between insulator and connector body plus 3-barb sealing detail between terminal and insulator

---

- High quality Ultem and Delrin insulators

---

- Back-nut O-ring seal mechanically supported by mandrel

---

- Fixed mandrel design

---

- Thick-walled aluminum connector bodies

---

- Silver plated brass terminal - standard 2" length

---

- Center conductor cutting guide

---

- Stamped part number

---

- Positive stop

## Benefits

- Option for the user to choose preferred product (e.g. blind entry, pull-back, speed of installation, cost)

---

- Higher strength for seizing center conductor

---

- Not prone to breakage or distortion

---

- Superior internal sealing integrity over wide temperature range

---

- Prevents moisture from migrating internally between cable and equipment

---

- Superior dielectric properties provide optimum impedance match

---

- Mechanical strength and stability over wide temperature range

---

- Minimizes stress on aluminum cable sheath

---

- Prevents deformation that can lead to cable fractures, impedance mismatches or degradation of moisture seal

---

- Predictable ground contact path.

---

- Optimum, controlled RF shielding over wide temperature range

---

- Higher strength

---

- More robust

---

- Hard, robust material...extremely important within the connector at the center-conductor seizing point

---

- Silver best conductor

---

- Speeds installation

---

- Prevents the damage of internal electronic components

---

- Takes the guess work out of the length of the pin

---

- Permanent identification of connector

---

- Prevents cable damage from over-tightening during installation

# LRC® TRUNK & DISTRIBUTION CONNECTORS

Thomas & Betts LRC® trunk and distribution connectors are manufactured to the highest quality standards for today's CATV systems. The complete line of 75 ohm connectors has expanded performance to 1 GHz to meet the technological demands for higher picture quality and expanded channel capacity.

## **"K" Series - 2 Piece Connectors**

This two piece design features a one step process to seize both the center conductor and aluminum sheath of the cable. This design requires less time to install than a 3 piece connector making installation a faster and easier process.

## **"G" Series - Gold Standard 3 Piece Connectors**

Thomas & Betts "G" Series 3 Piece connectors feature a non-metallic radiation sleeve, which reduces craft sensitivity of cable to connector interface. This feature also reduces RF electrical ground path keeping the RF signals in phase and provides improved electrical characteristics. The "G" Series connectors are friendly for installing on powered-up cables and offer consistent reliable installation every time.

## **"W" Series - 3 Piece Connectors**

Thomas & Betts original LRC 3 piece connector design has been manufactured for over 25 years. The design is continually adapted and improved to meet and exceed today's cable system requirements. Today's 3 piece connector design seizes the center conductor and aluminum sheath of the cable through 2 step process. This design provides minimal cable pull back with full view of center conductor entrance into the seizing mechanism.

## **FACTS**

- Manufactured from 6262 aluminum alloy and iridite coated for superior corrosion resistance.
- Threads are lubricated to prevent galling during installation.
- Terminals made from brass are silver plated for excellent RF conductivity.
- Two inch pin length is standard to accommodate installation requirements.

## **ADVANTAGES**

- No-twist center conductor seizing mechanism eliminates radial stress.
- Positive stop feature eliminates guess-work and assures proper tightening of the connector to cable interface. No torque wrenches or special tools required.

- High quality Ultem and Delrin insulators.
- Polyethylene O-ring sealed for maximum environmental protection.
- Center conductor cutting guide assures accurate cable center conductor length.
- One wrench size required for each connector.
- Product number is permanently stamped on connector for easy identification.

## **PERFORMANCE**

- Radiation sleeves provide excellent RF integrity and shield effectiveness.
- Structural return loss meets or exceeds 30 dB up to 1 GHz on entry and splice connectors.
- Connector pull force meets or exceeds yield strength of the cable. (Meets SCTE Standards)
- Selected thermoelectric plastic materials are used to provide dependable electrical and mechanical integrity at temperatures from -40°F (-40°C) to 170°F (77°C).

## **MISCELLANEOUS TRUNK & DISTRIBUTION CONNECTORS**

Thomas & Betts offers a broad range of trunk and distribution connectors not specifically listed in this catalog. For more information on any of Thomas & Betts LRC® connectors including the following items, please contact our customer service team at 1-800-920-0328.

- CableFlex connectors
- Coppergard® connectors
- Fused Disc® connectors
- Fused Disc Metric III® connectors
- Half-inch 50 Ohm connectors for cable by Cablewave & Times Fiber Communications, Inc.
- Northern Electric connectors
- Phelps Dodge connectors
- Sealmetic® connectors
- Western Electric 3155 connectors
- 530 Spirafil connectors

COPPERGARD® IS A TRADEMARK OF COMMScope COMPANY

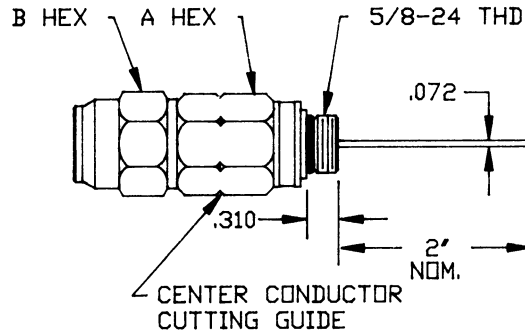
FUSED DISC® AND FUSED DISC METRIC III® ARE TRADEMARKS OF GENERAL CABLE COMPANY

SEALMETIC® IS TRADEMARK OF SYSTEMS WIRE & CABLE, INC.

**“K” Series  
Two Piece Pin Type**



5/8"- 24 2 piece pin type entry connector with auto seize technology for enhanced cable seizure. 2" pin and center conductor cutting guide are standard. Common hex size per connector with tapered back nut for consistent heat shrink application. Re-enterable and reusable.

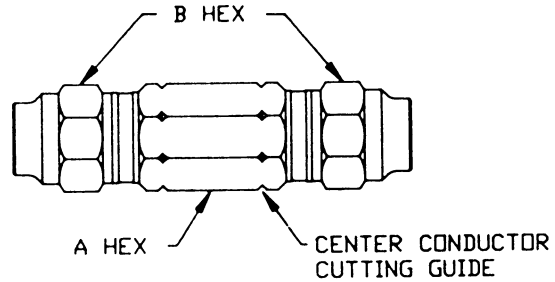


**Ordering Information**

CABLE TYPE	CATALOG NUMBER	CENTER COND	CABLE OD	DIM A	DIM B	INNER PACK	OUTER PACK
<b>P3 &amp; T10</b>	EI412K3	.092	.412	13/16	7/8	25	200
	EI500K3	.109	.500	1	1	20	160
	EI625K3	.137	.625	1	1	20	160
	EI750K3	.167	.750	1-1/8	1-1/8	16	128
	EI875K3	.194	.875	1-3/8	1-3/8	9	72
	EI1000K3	.220	1.000	1-1/2	1-1/2	9	36
<b>QR</b>	EI500QR	.117	.580	1	1	20	160
	EI540QR	.124	.610	1	1	20	160
	EI715QR	.166	.785	1-3/16	1-3/16	14	112
	EI860QR	.203	.960	1-1/2	1-1/2	9	72
	EI1125QR	.263	1.225	1-3/4	1-3/4	6	24
<b>TX</b>	EI565TX	.129	.565	1		120	160
	EI700TX	.163	.703	1-1/8	1-1/8	12	96
	EI840TX	.194	.840	1-3/8	1-3/8	9	72
	EI1160TX	.269	1.160	1-3/4	1-3/4	6	24
<b>MC<sup>2</sup></b>	EI440MC2	.105	.450	1	1	20	160
	EI500MC2	.123	.510	1	1	20	160
	EI650MC2	.156	.640	1-1/8	1-1/8	16	128
	EI750MC2	.185	.760	1-1/8	1-1/8	16	128
	EI1000MC2	.248	1.015	1-1/2	1-1/2	9	36
<b>P1</b>	EI412K	.080	.412	13/16	7/8	25	200
	EI500K	.100	.500	1	1	20	160
	EI750K	.148	.750	1-1/8	1-1/8	16	128

**“K” Series  
Two Piece Splices**

Connectors to join two identical cables together. Auto seize technology incorporated in both connector ends assures best possible connection. Splice connectors are re-enterable and reusable with integrated center conductor cutting guide. Common hex size per connector with tapered back nut for consistent heat shrink application.



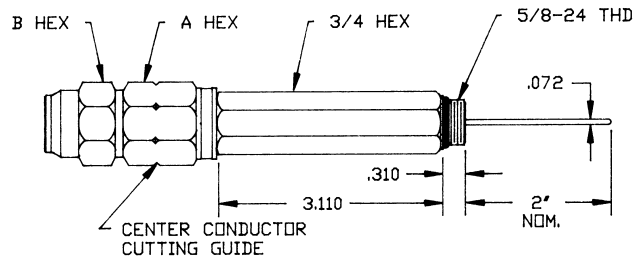
**Ordering Information**

CABLE TYPE	CATALOG NUMBER	CENTER COND	CABLE OD	DIM A	DIM B	INNER PACK	OUTER PACK
<b>P3 &amp; T10</b>	SI412K3	.092	.412	13/16	7/8	25	100
	SI500K3	.109	.500	1	1	20	80
	SI625K3	.137	.625	1	1	20	80
	SI750K3	.167	.750	1-1/8	1-1/8	16	64
	SI875K3	.194	.875	1-3/8	1-3/8	9	36
	SI1000K3	.220	1.000	1-1/2	1-1/2	9	36
<b>QR</b>	SI500QR	.117	.580	1	1	20	80
	SI540QR	.124	.610	1	1	20	80
	SI715QR	.166	.785	1-3/16	1-3/16	14	56
	SI860QR	.203	.960	1-1/2	1-1/2	9	36
	SI1125QR	.263	1.225	1-3/4	1-3/4	6	24
<b>TX</b>	SI565TX	.129	.565	1	1	20	80
	SI700TX	.163	.703	1-1/8	1-1/8	12	48
	SI840TX	.194	.840	1-3/8	1-3/8	9	36
	SI1160TX	.269	1.160	1-3/4	1-3/4	6	24
<b>MC<sup>2</sup></b>	SI440MC2	.105	.450	7/8	7/8	25	100
	SI500MC2	.123	.510	1	1	20	80
	SI650MC2	.156	.640	1-1/8	1-1/8	16	64
	SI750MC2	.185	.760	1-1/8	1-1/8	16	64
	SI1000MC2	.248	1.015	1-1/2	1-1/2	9	36
<b>P1</b>	SI412K	.080	.412	13/16	7/8	25	100
	SI500K	.100	.500	1	1	20	80
	SI750K	.148	.750	1-1/8	1-1/8	16	64

2-Piece Pin Type Extension

**“K” Series  
Two Piece  
Pin Type Extensions**

5/8" – 24 2 piece extended entry connectors with auto seize technology for enhanced cable seizure. 2" pin and center conductor cutting guide are standard. Common hex size per connector with tapered back nut for consistent heat shrink application. Re-enterable and reusable. Available in 3", 6" and 9" lengths.



**Ordering Information**

CABLE TYPE	CATALOG NUMBER	CENTER COND	CABLE OD	DIM A	DIM B	INNER PACK	OUTER PACK
<b>P3 &amp; T10</b>	EI412K3LB	.092	.412	13/16	7/8	25	100
	EI500K3LB	.109	.500	1	1	20	80
	EI625K3LB	.137	.625	1	1	20	80
	EI750K3LB	.167	.750	1-1/8	1-1/8	16	64
	EI875K3LB	.194	.875	1-3/8	1-3/8	9	36
	EI1000K3LB	.220	1.000	1-1/2	1-1/2	9	36
<b>QR</b>	EI500QRLB	.117	.580	1	1	20	80
	EI540QRLB	.124	.610	1	1	20	80
	EI715QRLB	.166	.785	1-3/16	1-3/16	14	56
	EI860QRLB	.203	.960	1-1/2	1-1/2	9	36
	EI1125QRLB	.263	1.225	1-3/4	1-3/4	6	24
<b>TX</b>	EI565TXLB	.129	.565	1	1	20	80
	EI700TXLB	.163	.703	1-1/8	1-1/8	14	56
	EI840TXLB	.194	.840	1-3/8	1-3/8	9	36
	EI1160TXLB	.269	1.160	1-3/4	1-3/4	6	24
<b>MC<sup>2</sup></b>	EI440MC2LB	.105	.450	1	1	20	80
	EI500MC2LB	.123	.510	1	1	20	80
	EI650MC2LB	.156	.640	1-1/8	1-1/8	16	64
	EI750MC2LB	.185	.760	1-1/8	1-1/8	16	64
	EI1000MC2LB	.248	1.015	1-1/2	1-1/2	9	36
<b>P1</b>	EI412KLB	.080	.412	13/16	7/8	25	100
	EI500KLB	.100	.500	1	1	20	80
	EI750KLB	.148	.750	1-1/8	1-1/8	16	64

NOTE: FOR 3" EXTENSION, PART NUMBER ENDS IN LB AS SHOWN IN ABOVE TABLE

FOR 6" EXTENSION, ADD 6 TO END OF PART NUMBER. FOR EXAMPLE, EI500QRLB6.

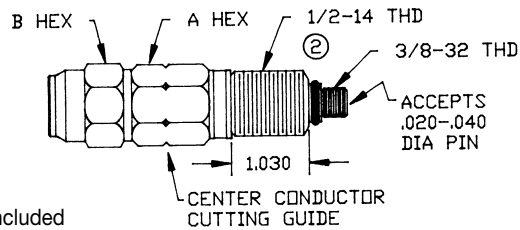
FOR 9" EXTENSION, ADD 9 TO END OF PART NUMBER: FOR EXAMPLE, EI500QRLB9



**“K” Series**  
**Two Piece Cable to Female**  
**Bulkhead Adaptors**



2 piece cable to "F" female adaptor capable of being secured in place for permanent mounting. Auto seize technology for enhanced cable seizure. Center conductor cutting guide is standard. Common hex size per connector with tapered back nut for consistent heat shrink application. Re-enterable and reusable.



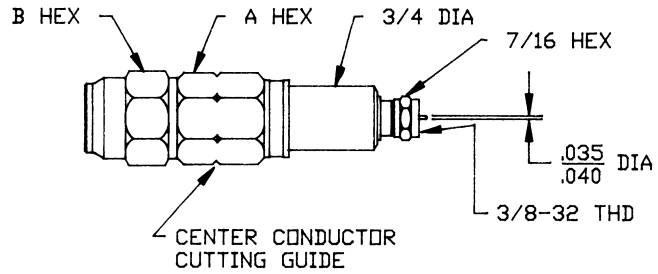
© Conduit Nuts Included

**Ordering Information**

CABLE TYPE	CATALOG NUMBER	CENTER COND	CABLE OD	DIM A	DIM B	INNER PACK	OUTER PACK
<b>P3 &amp; T10</b>	BI412FFK3	.092	.412	13/16	7/8	20	160
	BI500FFK3	.109	.500	1	1	20	160
	BI625FFK3	.137	.625	1	1	20	160
	BI750FFK3	.167	.750	1-1/8	1-1/8	16	128
	BI875FFK3	.194	.875	1-3/8	1-3/8	9	72
	BI1000FFK3	.220	1.000	1-1/2	1-1/2	9	72
<b>QR</b>	BI500FFQR	.117	.580	1	1	20	160
	BI540FFQR	.124	.610	1	1	20	80
	BI715FFQR	.166	.785	1-3/16	1-3/16	14	56
	BI860FFQR	.203	.960	1-1/2	1-1/2	9	72
	BI1125FFQR	.263	1.225	1-3/4	1-3/4	6	48
<b>TX</b>	BI565FFTX	.129	.565	1	1	20	160
	BI700FFTX	.163	.703	1-1/8	1-1/8	12	48
	BI840FFTX	.194	.840	1-3/8	1-3/8	9	36
	BI1160FFTX	.269	1.160	1-3/4	1-3/4	6	24
<b>MC<sup>2</sup></b>	BI440FFMC2	.105	.450	1	1	20	160
	BI500FFMC2	.123	.510	1	1	20	160
	BI650FFMC2	.156	.640	1-1/8	1-1/8	16	128
	BI750FFMC2	.185	.760	1-1/8	1-1/8	16	128
	BI1000FFMC2	.248	1.015	1-1/2	1-1/2	9	72
<b>P1</b>	BI412FFK	.080	.412	13/16	7/8	20	160
	BI500FFK	.100	.500	1	1	20	160
	BI750FFK	.148	.750	1-1/8	1-1/8	16	128

**"K" Series**  
**Two Piece**  
**Cable to "F" Male Adaptors**

2 piece cable to "F" male adaptor. Auto seize technology for enhanced cable seizure. Center conductor cutting guide is standard. Common hex size per connector with tapered back nut for consistent heat shrink application. Re-entrantable and reusable.

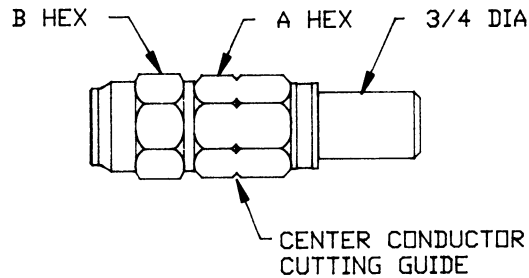


**Ordering Information**

CABLE TYPE	CATALOG NUMBER	CENTER COND	CABLE OD	DIM A	DIM B	INNER PACK	OUTER PACK
<b>P3 &amp; T10</b>	AI412FMK3	.092	.412	13/16	7/8	20	160
	AI500FMK3	.109	.500	1	1	20	160
	AI625FMK3	.137	.625	1	1	20	160
	AI750FMK3	.167	.750	1-1/8	1-1/8	16	128
	AI875FMK3	.194	.875	1-3/8	1-3/8	9	36
	AI1000FMK3	.220	1.000	1-1/2	1-1/2	9	36
<b>QR</b>	AI500FMQR	.117	.580	1	1	8	20
	AI540FMQR	.124	.610	1	1	20	160
	AI715FMQR	.166	.785	1-3/16	1-3/16	14	56
	AI860FMQR	.203	.960	1-1/2	1-1/2	9	36
	AI1125FMQR	.263	1.225	1-3/4	1-3/4	6	48
<b>TX</b>	AI565FMTX	.129	.565	1	1	20	160
	AI700FMTX	.163	.703	1-1/8	1-1/8	14	112
	AI840FMTX	.194	.840	1-3/8	1-3/8	9	72
	AI1160FMTX	.269	1.160	1-3/4	1-3/4	-	1
<b>MC<sup>2</sup></b>	AI440FMMC2	.105	.450	1	1	20	160
	AI500FMMC2	.123	.510	1	1	20	160
	AI650FMMC2	.156	.640	1-1/8	1-1/8	16	128
	AI750FMMC2	.185	.760	1-1/8	1-1/8	16	128
<b>P1</b>	AI412FMK	.080	.412	13/16	7/8	20	160
	AI500FMK	.100	.500	1	1	-	1
	AI750FMK	.148	.750	1-1/8	1-1/8	-	1

**“K” Series  
Two Piece  
Cable Terminators**

2 piece cable terminator. Blocks 60 Hz AC power and terminates RF signal. Auto seize technology for enhanced cable seizure. Center conductor cutting guide is standard. Common hex size per connector with tapered back nut for consistent heat shrink application. Re-enterable and reusable.



**Ordering Information**

CABLE TYPE	CATALOG NUMBER	CENTER COND	CABLE OD	DIM A	DIM B	INNER PACK	OUTER PACK
<b>P3 &amp; T10</b>	AI412TRBK3	.092	.412	13/16	7/8	20	160
	AI500TRBK3	.109	.500	1	1	20	160
	AI625TRBK3	.137	.625	1	1	20	160
	AI750TRBK3	.167	.750	1-1/8	1-1/8	16	128
	AI875TRBK3	.194	.875	1-3/8	1-3/8	9	72
	AI1000TRBK3	.220	1.000	1-1/2	1-1/2	9	72
<b>QR</b>	AI500TRBQR	.117	.580	1	1	20	80
	AI540TRBQR	.124	.610	1	1	20	80
	AI715TRBQR	.166	.785	1-3/16	1-3/16	14	56
	AI860TRBQR	.203	.960	1-1/2	1-1/2	9	36
<b>TX</b>	AI565TRBTX	.129	.565	1	1	9	36
	AI700TRBTX	.163	.703	1-1/8	1-1/8	9	36
	AI840TRBTX	.194	.840	1-3/8	1-3/8	9	36
	AI1160TRBTX	.269	1.160	1-3/4	1-3/4	6	24
<b>MC<sup>2</sup></b>	AI440TRBMC2	.105	.450	1	1	20	160
	AI500TRBMC2	.123	.510	1	1	20	160
	AI650TRBMC2	.156	.640	1-1/8	1-1/8	16	128
	AI750TRBMC2	.185	.760	1-1/8	1-1/8	16	128
	AI1000TRBMC2	.248	1.015	1-1/2	1-1/2	9	36
<b>P1</b>	AI412TRBK	.080	.412	13/16	7/8	25	100
	AI500TRBK	.100	.500	1	1	20	160
	AI750TRBK	.148	.750	1-1/8	1-1/8	16	128

**"G" Series - Gold Standard 3 Piece Connectors**

Thomas & Betts "G" Series 3 Piece connectors feature a non-metallic radiation sleeve, which reduces craft sensitivity of cable to connector interface. This feature also reduces RF electrical ground path keeping the RF signals in phase and provides improved electrical characteristics. The "G" Series connectors are friendly for installing on powered-up cables and offer consistent reliable installation every time.



The "G" Series connectors feature a non-metallic radiation sleeve which:

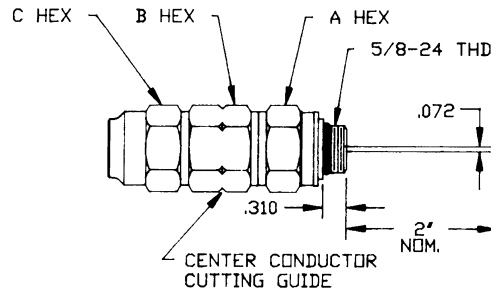
- Reduces craft sensitivity of cable to connector interface
- Reduces RF electrical ground path keeping the RF signals in phase
- Provides improved electrical characteristics
- Is friendly for installing on powered-up cables

Consistent reliable installations - every time

**“W” Series**  
**Three Piece Pin Type**



5/8"- 24 3 piece pin type entry connector with auto seize technology for enhanced cable seizure. 2" pin and center conductor cutting guide are standard. Common hex size per connector with tapered back nut for consistent heat shrink application. Re-enterable and reusable; three piece design allows visual inspection of connector and cable during attachment.



**Ordering Information**

CABLE TYPE	CATALOG NUMBER	CENTER COND	CABLE OD	DIMENSIONS			INNER PACK	OUTER PACK
				A	B	C		
<b>P3 &amp; T10</b>	EFI412W3	.092	.412	15/16	15/16	15/16	25	200
	EFI500W3	.109	.500	1	1	1	20	160
	EFI625W3	.137	.625	1-1/8	1-1/8	1-1/8	16	128
	EFI750W3	.167	.750	1-3/16	1-3/16	1-3/16	14	112
	EFI875W3	.194	.875	1-1/2	1-1/2	1-1/2	9	36
	EFI1000W3	.220	1.000	1-3/4	1-3/4	1-3/4	6	24
<b>QR</b>	EFI540QRG	.124	.610	1-1/8	1-1/8	1-1/8	16	64
	EFI715QRG	.166	.785	1-3/16	1-3/16	1-3/16	9	36
	EFI860QRG	.203	.960	1-1/2	1-1/2	1-1/2	9	36
	EFI1125QRG	.263	1.225	1-3/4	1-3/4	1-3/4	6	24
<b>TX</b>	EFI565TX	.129	.565	1-1/8	1-1/8	1-1/8	16	128
	EFI700TX	.163	.703	1-3/16	1-3/16	1-3/16	14	112
	EFI840TX	.194	.840	1-1/2	1-1/2	1-1/2	9	72
<b>MC<sup>2</sup></b>	EFI440MC2	.105	.450	15/16	15/16	15/16	25	200
	EFI500MC2	.123	.510	1	1	1	20	160
	EFI650MC2	.156	.640	1-1/8	1-1/8	1-1/8	16	128
	EFI750MC2	.185	.760	1-3/16	1-3/16	1-3/16	9	36
	EFI1000MC2	.248	1.015	1-3/4	1-3/4	1-3/4	6	24
<b>P1</b>	EFI412W	.080	.412	15/16	15/16	15/16	25	200
	EFI500W	.100	.500	1	1	1	20	160
	EFI750W	.148	.750	1-3/16	1-3/16	1-3/16	14	112
	EFI1000W	.193	1.000	1-3/4	1-3/4	1-3/4	6	24
<b>P2</b>	EFI412W2	.092	.412	15/16	15/16	15/16	25	200
	EFI500W2	.111	.500	1	1	1	20	160
	EFI750W2	.169	.750	1-3/16	1-3/16	1-3/16	14	112
	EFI1000W2	.225	1.000	1-3/4	1-3/4	1-3/4	6	24

QR IS A TRADEMARK OF COMMScope, INC.

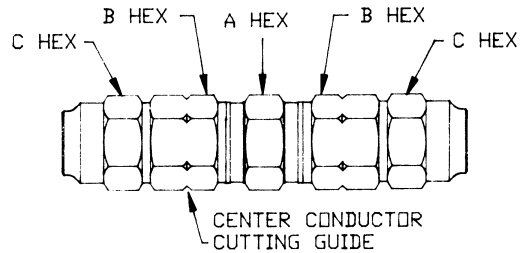
TX & T10 ARE TRADEMARKS OF TIMES FIBER COMMUNICATIONS

MC<sup>2</sup> IS A TRADEMARK OF TRILOGY

“W” Series  
Three Piece Splices



Connectors to join two identical cables together. Auto seize technology incorporated in both connector ends assures best possible connection. Three piece design allows visual inspection of connector and cable during installation. Common hex size per connector with tapered back nut for consistent heat shrink application. Connectors are re-enterable and reusable with integrated center conductor cutting guide.



Ordering Information

CABLE TYPE	CATALOG NUMBER	CENTER COND	CABLE OD	DIMENSIONS			INNER PACK	OUTER PACK
				A	B	C		
<b>P3 &amp; T10</b>	SFI412W3	.092	.412	15/16	15/16	15/16	25	100
	SFI500W3	.109	.500	1	1	1	20	80
	SFI625W3	.137	.625	1-1/8	1-1/8	1-1/8	16	64
	SFI750W3	.167	.750	1-3/16	1-3/16	1-3/16	14	56
	SFI875W3	.194	.875	1-1/2	1-1/2	1-1/2	9	36
	SFI1000W3	.220	1.000	1-3/4	1-3/4	1-3/4	6	24
<b>QR</b>	SFI540QRG	.124	.610	1-1/8	1-1/8	1-1/8	16	64
	SFI715QRG	.166	.785	1-3/16	1-3/16	1-3/16	9	36
	SFI860QRG	.203	.960	1-1/2	1-1/2	1-1/2	9	36
	SFI1125QRG	.263	1.225	1-3/4	1-3/4	1-3/4	6	24
<b>TX</b>	SFI565TX	.129	.565	1-1/8	1-1/8	1-1/8	16	64
	SFI700TX	.163	.703	1-3/16	1-3/16	1-3/16	14	56
	SFI840TX	.194	.840	1-1/2	1-1/2	1-1/2	9	36
<b>MC<sup>2</sup></b>	SFI440MC2	.105	.450	15/16	15/16	15/16	25	100
	SFI500MC2	.123	.510	1	1	1	20	80
	SFI650MC2	.156	.640	1-1/8	1-1/8	1-1/8	16	64
	SFI750MC2	.185	.760	1-3/16	1-3/16	1-3/16	9	36
	SFI1000MC2	.248	1.015	1-3/4	1-3/4	1-3/4	6	24
<b>P1</b>	SFI412W	.080	.412	15/16	15/16	15/16	25	100
	SFI500W	.100	.500	1	1	1	20	80
	SFI750W	.148	.750	1-3/16	1-3/16	1-3/16	14	56
	SFI1000W	.193	1.000	1-3/4	1-3/4	1-3/4	6	24
<b>P2</b>	SFI412W2	.092	.412	15/16	15/16	15/16	25	100
	SFI500W2	.111	.500	1	1	1	20	80
	SFI750W2	.169	.750	1-3/16	1-3/16	1-3/16	14	56

QR IS A TRADEMARK OF COMMScope, INC.

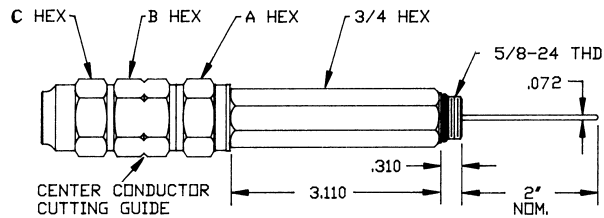
TX & T10 ARE TRADEMARKS OF TIMES FIBER COMMUNICATIONS

MC<sup>2</sup> IS A TRADEMARK OF TRILOGY

**“W” Series  
Three Piece  
Pin Type Extensions**



5/8" – 24 3 piece extended entry connectors with auto seize technology for enhanced cable seizure. 2" pin and center conductor cutting guide are standard. Common hex size per connector with tapered back nut for consistent heat shrink application. Re-enterable and reusable. Three piece design allows visual inspection of connector and cable during installation. Available in 3", 6" and 9" lengths.



**Ordering Information**

CABLE TYPE	CATALOG NUMBER	CENTER COND	CABLE OD	DIMENSIONS			INNER PACK	OUTER PACK
				A	B	C		
<b>P3 &amp; T10</b>	EFI412W3LB	.092	.412	15/16	15/16	15/16	25	100
	EFI500W3LB	.109	.500	1	1	1	20	80
	EFI625W3LB	.137	.625	1-1/8	1-1/8	1-1/8	16	64
	EFI750W3LB	.167	.750	1-3/16	1-3/16	1-3/16	14	56
	EFI875W3LB	.194	.875	1-1/2	1-1/2	1-1/2	9	36
	EFI1000W3LB	.220	1.000	1-3/4	1-3/4	1-3/4	6	24
<b>QR</b>	EFI540QRGLB	.124	.610	1-1/8	1-1/8	1-1/8	16	64
	EFI715QRGLB	.166	.785	1-1/2	1-1/2	1-1/2	9	36
	EFI860QRGLB	.203	.960	1-1/2	1-1/2	1-1/2	9	36
	EFI1125QRGLB	.263	1.225	1-3/4	1-3/4	1-3/4	6	24
<b>TX</b>	EFI565TXLB	.129	.565	1-1/8	1-1/8	1-1/8	14	256
	EFI700TXLB	.163	.703	1-3/16	1-3/16	1-3/16	14	56
	EFI840TXLB	.194	.840	1-1/2	1-1/2	1-1/2	9	36
<b>MC<sup>2</sup></b>	EFI440MC2LB	.105	.450	15/16	15/16	15/16	25	100
	EFI500MC2LB	.123	.510	1	1	1	20	80
	EFI650MC2LB	.156	.640	1-1/8	1-1/8	1-1/8	16	64
	EFI750MC2LB	.185	.760	1-3/16	1-3/16	1-3/16	9	36
	EFI1000MC2LB	.248	1.015	1-3/4	1-3/4	1-3/4	6	24
<b>P1</b>	EFI412W2LB	.092	.412	15/16	15/16	15/16	25	100
	EFI500W2LB	.111	.500	1	1	1	20	80
	EFI750W2LB	.169	.750	1-3/16	1-3/16	1-3/16	14	56
<b>P2</b>	EFI412WLB	.080	.412	15/16	15/16	15/16	25	100
	EFI500WLB	.100	.500	1	1	1	20	80
	EFI750WLB	.148	.750	1-3/16	1-3/16	1-3/16	14	56

NOTE: FOR 3" EXTENSION, PART NUMBER ENDS IN LB AS SHOWN IN ABOVE TABLE.

FOR 6" EXTENSION, ADD 6 TO END OF PART NUMBER. (EFI412W3LB6)

FOR 9" EXTENSION, ADD 9 TO END OF PART NUMBER. (EFI412W3LB9)

QR IS A TRADEMARK OF COMMScope, INC.

TX & T10 ARE TRADEMARKS OF TIMES FIBER COMMUNICATIONS

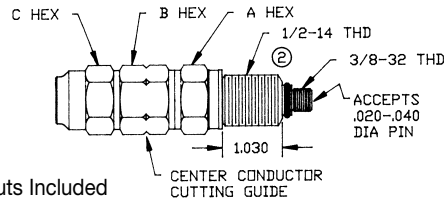
MC<sup>2</sup> IS A TRADEMARK OF TRILOGY

3-Piece Cable to "F" Female Bulkhead Adaptors

**"W" Series  
Three Piece Cable to "F"  
Female Bulkhead Adaptors**



3 piece cable to "F" female adaptor capable of being secured in place for permanent mounting. Auto seize technology for enhanced cable seizure. Center conductor cutting guide is standard. Common hex size per connector with tapered back nut for consistent heat shrink application. Three piece design allows visual inspection of connector and cable during installation. Re-enterable and reusable.



e Conduit Nuts Included

**Ordering Information**

CABLE TYPE	CATALOG NUMBER	CENTER COND	CABLE OD	DIMENSIONS			INNER PACK	OUTER PACK
				A	B	C		
<b>P3 &amp; T10</b>	BAI412FFW3	.092	.412	15/16	15/16	15/16	25	200
	BAI500FFW3	.109	.500	1	1	1	20	160
	BAI625FFW3	.137	.625	1-1/8	1-1/8	1-1/8	16	128
	BAI750FFW3	.167	.750	1-3/16	1-3/16	1-3/16	14	112
	BAI875FFW3	.194	.875	1-1/2	1-1/2	1-1/2	9	36
	BAI1000FFW3	.220	1.000	1-3/4	1-3/4	1-3/4	6	48
<b>QR</b>	BAI540FFQRG	.124	.610	1-1/8	1-1/8	1-1/8	16	64
	BAI715FFQRG	.166	.785	1-1/2	1-1/2	1-1/2	9	36
	BAI860FFQRG	.203	.960	1-1/2	1-1/2	1-1/2	9	36
	BAI1125FFQRG	.263	1.225	1-3/4	1-3/4	1-3/4	6	24
<b>TX</b>	BAI565FFTX	.129	.565	1-1/8	1-1/8	1-1/8	16	128
	BAI700FFTX	.163	.703	1-3/16	1-3/16	1-3/16	14	56
	BAI840FFTX	.194	.840	1-1/2	1-1/2	1-1/2	9	36
<b>MC<sup>2</sup></b>	BAI440FFMC2	.105	.450	15/16	15/16	15/16	25	100
	BAI500FFMC2	.123	.510	1	1	1	20	80
	BAI650FFMC2	.156	.640	1-1/8	1-1/8	1-1/8	16	64
	BAI750FFMC2	.185	.760	1-3/16	1-3/16	1-3/16	9	36
	BAI1000FFMC2	.248	1.015	1-3/4	1-3/4	1-3/4	6	24
<b>P1</b>	BAI412FFW	.080	.412	15/16	15/16	15/16	25	200
	BAI500FFW	.100	.500	1	1	1	20	160
	BAI750FFW	.148	.750	1-3/16	1-3/16	1-3/16	14	112
<b>P2</b>	BAI412FFW2	.092	.412	15/16	15/16	15/16	25	200
	BAI500FFW2	.111	.500	1	1	1	20	160
	BAI750FFW2	.169	.750	1-3/16	1-3/16	1-3/16	14	112

QR IS A TRADEMARK OF COMMSCOPE, INC.

TX & T10 ARE TRADEMARKS OF TIMES FIBER COMMUNICATIONS

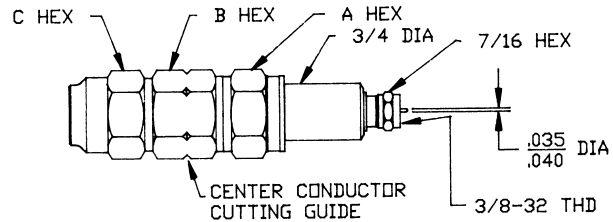
MC<sup>2</sup> IS A TRADEMARK OF TRILOGY



**"W" Series**  
**Three Piece Hardline to**  
**"F" Male Adaptors**



3 piece cable to "F" male adaptor. Auto seize technology for enhanced cable seizure. Center conductor cutting guide is standard. Common hex size per connector with tapered back nut for consistent heat shrink application. Three piece design allows visual inspection of connector and cable during installation. Re-enterable and reusable.



**Ordering Information**

CABLE TYPE	CATALOG NUMBER	CENTER COND	CABLE OD	DIMENSIONS			INNER PACK	OUTER PACK
				A	B	C		
<b>P3 &amp; T10</b>	AI412FMW3	.092	.412	15/16	15/16	15/16	25	160
	AI500FMW3	.109	.500	1	1	1	20	160
	AI625FMW3	.137	.625	1-1/8	1-1/8	1-1/8	16	128
	AI750FMW3	.167	.750	1-3/16	1-3/16	1-3/16	-	14
	AI875FMW3	.194	.875	1-1/2	1-1/2	1-1/2	-	1
	AI1000FMW3	.220	1.000	1-3/4	1-3/4	1-3/4	-	1
<b>QR</b>	AI540FMWQRG	.124	.610	1-1/8	1-1/8	1-1/8	16	64
	AI715FMWQRG	.166	.785	1-1/2	1-1/2	1-1/2	9	36
	AI860FMWQRG	.203	.960	1-1/2	1-1/2	1-1/2	9	36
	AI1125FMWQRG	.263	1.225	1-3/4	1-3/4	1-3/4	6	24
<b>TX</b>	AI565FMWTX	.129	.565	1-1/8	1-1/8	1-1/8	16	128
	AI700FMWTX	.163	.703	1-3/16	1-3/16	1-3/16	14	112
	AI840FMWTX	.194	.840	1-1/2	1-1/2	1-1/2	9	72
	AI1160FMWTX	.220	1.000	1-3/4	1-3/4	1-3/4	6	24
<b>MC<sup>2</sup></b>	AI440FMWMC2	.105	.450	15/16	15/16	15/16	25	1000
	AI500FMWMC2	.123	.510	1	1	1	20	80
	AI650FMWMC2	.156	.640	1-1/8	1-1/8	1-1/8	16	64
	AI750FMWMC2	.185	.760	1-3/16	1-3/16	1-3/16	9	36
	AI1000FMWMC2	.248	1.015	1-3/4	1-3/4	1-3/4	6	24

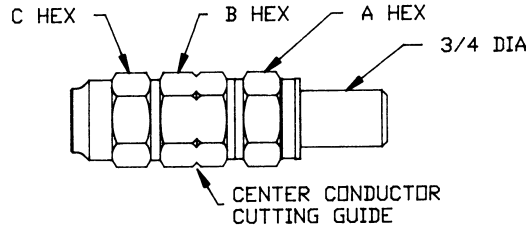
QR IS A TRADEMARK OF COMMScope, INC.

TX & T10 ARE TRADEMARKS OF TIMES FIBER COMMUNICATIONS

MC<sup>2</sup> IS A TRADEMARK OF TRILOGY

**“W” Series  
Three Piece Cable  
Terminators**

3 piece cable terminator. Blocks 60 Hz AC power and terminates RF signal. Auto seize technology for enhanced cable seizure. Center conductor cutting guide is standard. Common hex size per connector with tapered back nut for consistent heat shrink application. Three piece design allows visual inspection of connector and cable during installation. Re-enterable and reusable.



**Ordering Information**

CABLE TYPE	CATALOG NUMBER	CENTER COND	CABLE OD	DIMENSIONS			INNER PACK	OUTER PACK
				A	B	C		
<b>P3 &amp; T10</b>	AI500TRBW3	.109	.500	1	1	1	20	160
	AI625TRBW3	.137	.625	1-1/8	1-1/8	1-1/8	16	128
	AI750TRBW3	.167	.750	1-3/16	1-3/16	1-3/16	14	112
	AI875TRBW3	.194	.875	1-1/2	1-1/2	1-1/2	9	36
<b>QR</b>	AI540TRBWQRG	.124	.610	1-1/8	1-1/8	1-1/8	16	64
	AI715TRBWQRG	.166	.784	1-1/2	1-1/2	1-1/2	9	36
	AI860TRBWQRG	.203	.960	1-1/2	1-1/2	1-1/2	9	36
	AI1125TRBWQRG	.263	1.225	1-3/4	1-3/4	1-3/4	6	24
<b>TX</b>	AI565TRBWTX	.129	.565	1-1/8	1-1/8	1-1/8	16	128
	AI700TRBWTX	.163	.703	1-3/16	1-3/16	1-3/16	14	112
	AI840TRBWTX	.194	.840	1-1/2	1-1/2	1-1/2	9	72
	AI1160TRBWTX	.220	1.000	1-3/4	1-3/4	1-3/4	6	24
<b>MC<sup>2</sup></b>	AI440TRBWMC2	.105	.450	15/16	15/16	15/16	25	100
	AI500TRBWMC2	.123	.510	1	1	1	20	160
	AI650TRBWMC2	.156	.640	1-1/8	1-1/8	1-1/8	16	64
	AI750TRBWMC2	.185	.760	1-3/16	1-3/16	1-3/16	9	36
<b>P1</b>	AI1000TRBWMC2	.248	1.015	1-3/4	1-3/4	1-3/4	6	24
	AI412TRBW	.080	.412	15/16	15/16	15/16	20	160
	AI750TRBW	.148	.750	1-3/16	1-3/16	1-3/16	14	112

QR IS A TRADEMARK OF COMMScope, INC.

TX & T10 ARE TRADEMARKS OF TIMES FIBER COMMUNICATIONS

MC<sup>2</sup> IS A TRADEMARK OF TRILOGY

**20 OHM  
 Power Connector  
 Three Piece**



**PROPERTIES**

**PHYSICAL**

BODY COMPONENTS: ALUMINUM 6262-T6511  
 BODY FINISH: CHROMATE CONVERSION COATING WITH DRY THIN FILM LUBRICANT  
 TERMINAL: BRASS CDA360 FH, SILVER PLATED  
 O-RING CARRIER: BRASS CDA360 HH  
 MANDREL: DELRIN 507  
 FERRULE: ALUMINUM 6262-T6511  
 ENTRY SUPPORT: ULTEM 1000  
 O-RINGS: ETHYLENE PROPYLENE

**ELECTRICAL**

CURRENT RATING: 30A AT 90 VOLTS AC AT 122° F (50° C)  
 INSULATION RESISTANCE: 5,000 MEGOHMS  
 DIELECTRIC STRENGTH: 1,000 VOLTS AC RMS

**MECHANICAL**

CABLE RETENTION (SHEATH AND CENTER CONDUCTOR): >600 LB.

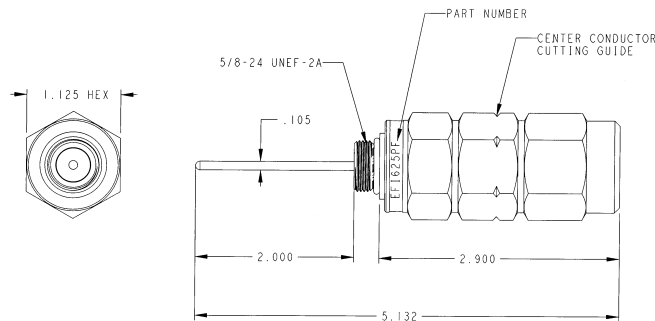
**ENVIRONMENTAL**

TEMPERATURE RATING: -40° F (-40° C) TO 140° F (60° C)  
 SALT SPRAY (FOG) EXPOSURE: COMPLIES TO BELLCORE, GR-2846-CORE, GENERIC REQUIREMENTS FOR COAXIAL DISTRIBUTION CONNECTORS  
 INTERFACE MOISTURE MIGRATION: COMPLIES TO SCTE STANDARD IPS-TP-013  
 VIBRATION: COMPLIES TO BELLCORE, GR-2846-CORE, GENERIC REQUIREMENTS FOR COAXIAL DISTRIBUTION CONNECTORS

This connector is designed to be used with CommScope Power Feeder™ PF 625 JCA and Times Fiber T10™ Power 20 coaxial cables in applications where high current performance is required. Provides a reliable connection to power supplies and power inserters for minimal power loss in today's powering architectures.

**DESIGN ADVANTAGES**

- Larger pin diameter (.105") ensures higher current performance to maintain minimal loop resistance.
- Pin size selected for maximum flexibility for most equipment seizing mechanisms.
- Utilizes standard 5/8-24" entry port threads.
- Pin terminal is made of high-quality silver plated brass for superior electrical conductivity and maximum center conductor retention. Standard 2" pin length.
- The design provides electrical isolation between the cable center conductor and the connector exterior using non-conductive internal components.
- Center conductor cutting guide is built into the connector for reliable and repeatable installations.
- The connector is environmentally sealed utilizing UV/Ozone Resistant Ethylene Propylene O-rings.
- Body components are manufactured from 6262 aluminum alloy then chromate conversion coated for superior corrosion resistance and lubricated to provide easy, non-galling installation.
- Incorporates the "no-twist" feature to prevent twisting of the cable during installation.
- "Positive Stop" eliminates guess-work and assures proper tightening of the connector to cable interface. No torque wrenches or specific tools required.
- Minimal pull back is required for installation which is beneficial in limited access applications.
- Part number stamped on connector for easy identification.

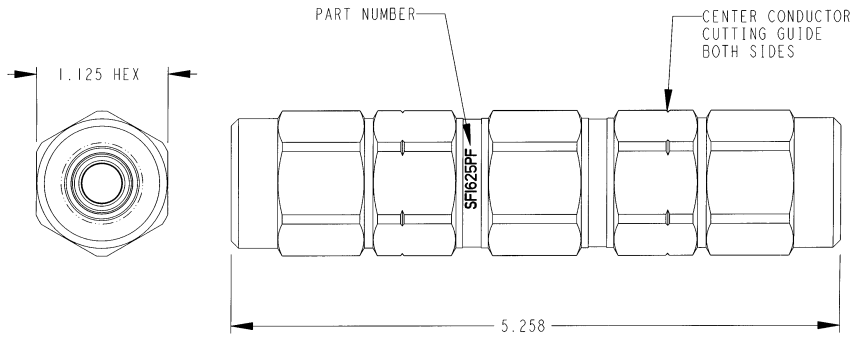


**Ordering Information**

CATALOG NUMBER	DESCRIPTION	INNER PACK	OUTER PACK
EFI625PF	Entry, 3 Piece, Power Connector	16	128

**20 OHM**  
**Power Splice Connector**  
**Three Piece**

Used to join two ends of the same type of cable together. Center conductor seizing and gripping of aluminum sheath are activated independently of each other.



**Ordering Information**

CATALOG NUMBER	DESCRIPTION	INNER PACK	OUTER PACK
SF1625PF	Splice, 3 Piece, Power Connector	16	124

**Snap-N-Seal® “F” Connector for CommScope QR® 320**



**DESIGN ADVANTAGES**

- Designed for use with CommScope QR® 320 cable.
- Uses includes SDU, MDU and long cable run applications.
- Features Snap-N-Seal® technology with precision auto seize center contact and robust integral ferrule.
- Compression sleeve incorporates a compression ring to provide environmental seal to cable jacket.
- Installation requires the use of standard industry cable preparation tools (7/16” center conductor exposure, 3/8” aluminum sheath exposure, 9/16” core) and standard Snap-N-Seal® installation tool L3011B, saving installation time.
- Environmental applications require use of Thread Protectors TP450 or TP275.

**PROPERTIES**

**ELECTRICAL**

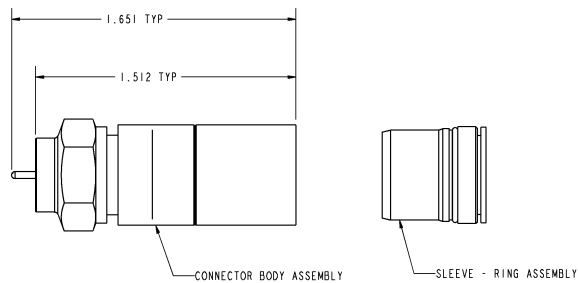
INSULATION RESISTANCE: >5000 MEGAOHMS @ 100 VDC  
 DIELECTRIC STRENGTH: COMPLIES TO BELLCORE GR-2846-CORE, GENERIC REQUIREMENTS FOR COAXIAL DISTRIBUTION CONNECTORS (1KV RMS FOR 1 MINUTE)  
 RETURN LOSS: -30dB TYPICAL  
 INSERTION LOSS: -.3dB TYPICAL  
 RFI SHIELDING: -92 dB TYPICAL

**MECHANICAL**

CABLE RETENTION: > 100 LBS.

**ENVIRONMENTAL**

TEMPERATURE RATING: -40°F (-40°C) TO 140°F (60°C)  
 SALT SPRAY (FOG) EXPOSURE: COMPLIES TO SCTE STANDARD IPS-TP-406  
 INTERFACE MOISTURE MIGRATION: COMPLIES TO SCTE STANDARDS IPS-TP-013

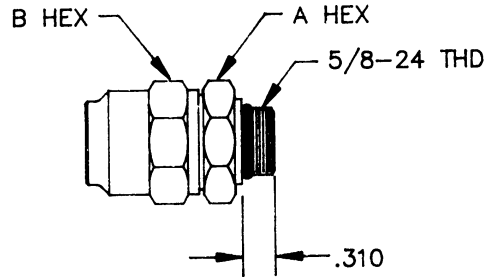


**Ordering Information**

CATALOG NUMBER	DESCRIPTION	INNER PACK	OUTER PACK
SNS320QR	Snap-N-Seal® for CommScope QR®320 Cable	36	288

**Entry Connectors Feed Thru**

Used for connecting cable to equipment. Center conductor of cable is seized inside equipment. Integral mandrel for excellent RF shielding.



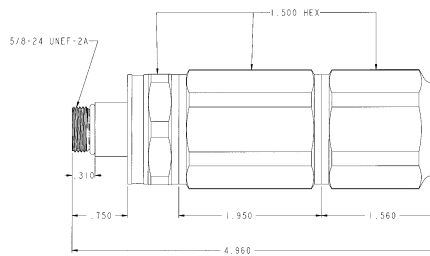
**Ordering Information**

CABLE TYPE	CATALOG NUMBER	CENTER COND	CABLE OD	DIMENSIONS		INNER PACK	OUTER PACK
				A	B		
<b>P3 &amp; T10</b>	EMI412P3	.092	.412	15/16	15/16	25	400
	EMI500P3	.109	.500	1	1	20	320
	EMI625K3	.137	.625	1-1/8	1-1/8	20	240
<b>QR</b>	EMI500QR	.117	.580	1	1	20	240
	EMI540QR	.124	.610	1	1	20	240
<b>MC2</b>	EMI440MC2	.105	.450	13/16	7/8	25	300
	EMI500MC2	.123	.510	1	1	20	240
	EMI650MC2	.156	.640	1-1/8	1-1/8	16	192
<b>P1</b>	EMI412P1	.080	.412	15/16	15/16	25	400
	EMI500P1	.100	.500	1	1	20	320

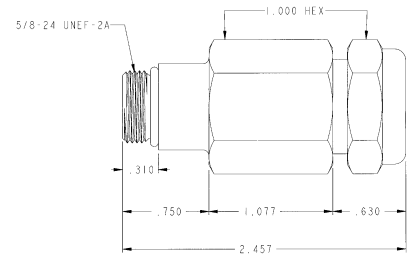
**Fiber Entry Connectors**

Fiber Entry Connectors accommodate fiber optic trunk and distribution cable in diameters from .300 to .600.

Both feed thru and strength member tie-off clamp models available.



**FIG. A**



**FIG. B**

**Ordering Information**

CATALOG NUMBER	FIG.	ACCEPTS CABLE DIA		STRENGTH MEMBER CLAMP	JACKET GRIPPED BY COLLET	5/8"-24 FEED THRU ID	INNER PACK	OUTER PACK
		MIN	MAX					
51A011	A	.300	.400	Y	Y	.400	8	32
51A006	B	.300	.400	N	N	.300	8	32
51A014	B	.300	.400	N	N	.400	16	128
51A002	A	.400	.500	Y	Y	.400	8	32
51A012	A	.400	.500	N	Y	.400	8	32
51A013	A	.500	.600	Y	Y	.400	8	32

# NOTES





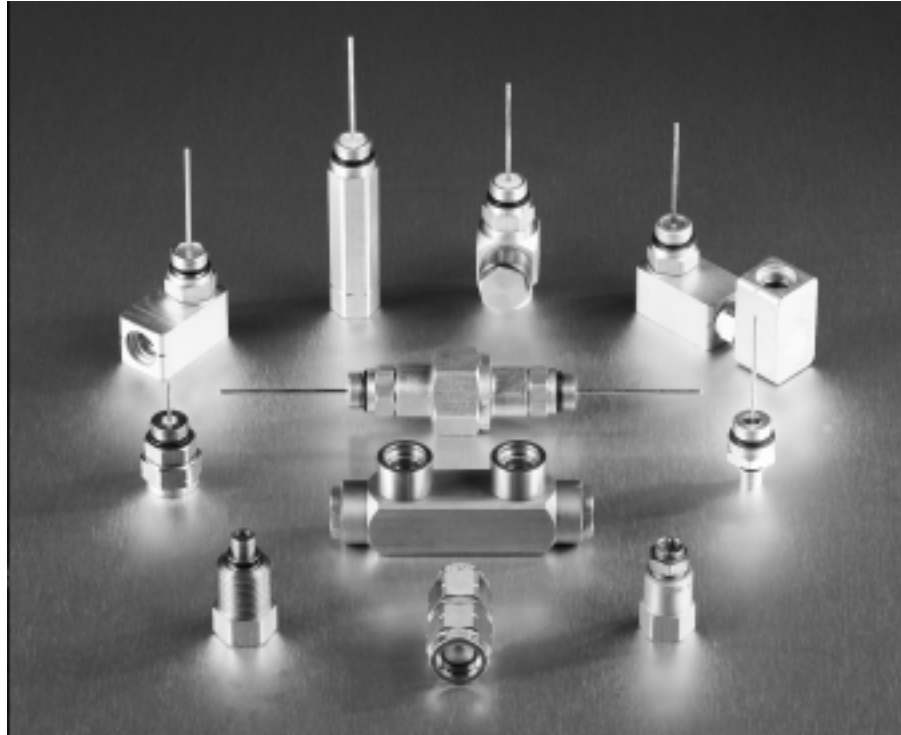
# TRUNK & DISTRIBUTION

# ADAPTOR

## Table of Contents

<b>Trunk &amp; Distribution Adaptors .....</b>	<b>Page 63-81</b>
Housing to Housing Adaptors .....	65
Entry Adaptors .....	66
Right Angle Adaptors.....	67-68
180° Adaptors .....	69-70
Splice Block .....	71
Extensions .....	72
Terminators .....	73-74
Female to Female .....	75-76
Male to Female – Rotational .....	77
Universal F Male to Hardline .....	78
Plugs & Adaptors .....	79
By-Pass Port Adaptor .....	80
Flexible Cable Adaptors .....	81

# LRC® TRUNK & DISTRIBUTION ADAPTORS



Thomas & Betts LRC® trunk & distribution adaptors are manufactured to the highest quality standards for today's CATV systems. The complete line has expanded performance to 1 GHz to meet the technological demands for higher picture quality and expanded channel capacity.

### **Auto Seize Feature**

Thomas & Betts offers a broad range of auto seize adaptors featuring a mechanism which automatically grips the center pins upon connector installation. This design provides constant positive pressure to the pins of entry connectors and results in a superior connection and ease of installation, saving time in the field.

### **FACTS**

- Manufactured from 6262 aluminum alloy and iridite coated for superior corrosion resistance.
- Terminals made from brass are silver plated for excellent RF conductivity.

### **ADVANTAGES**

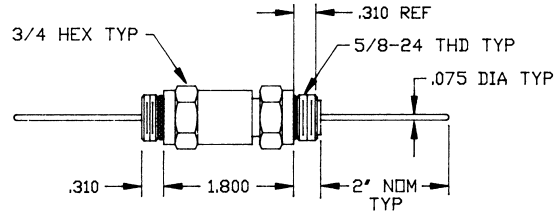
- Polyethylene O-ring sealed for maximum environmental protection.
- Center conductor cutting guide assures accurate cable center conductor length.
- Product number is permanently stamped on connector for easy identification.

### **PERFORMANCE**

- Excellent RF integrity and shield effectiveness.
- Structural return loss meets or exceeds 30 dB up to 1 GHz on most adaptors.
- Selected thermoelectric plastic materials are used to provide dependable electrical and mechanical integrity at temperatures from -40°F (-40°C) to 170°F (77°C).

**Entry To Entry**

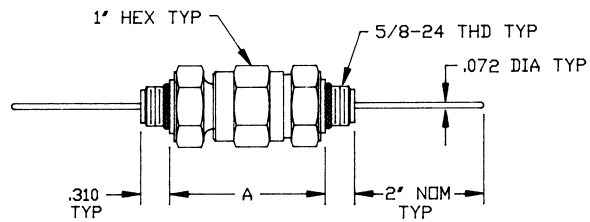
Housing to housing adaptors eliminate the need for jumpers and allow cascading of equipment.



**Ordering Information**

CATALOG NUMBER	INNER PACK	OUTER PACK
ETE625	18	72

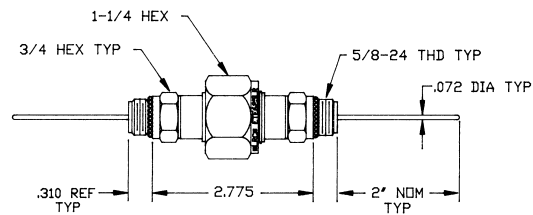
**Entry To Entry - Rotational**



**Ordering Information**

CATALOG NUMBER	DIM A	INNER PACK	OUTER PACK
ETE625R	2.055	20	80
ETE625R3	5.171	20	80

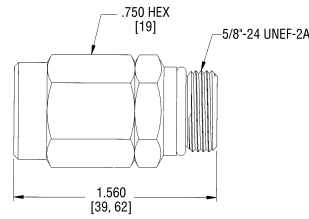
**Entry To Entry Locking Rotational**



**Ordering Information**

CATALOG NUMBER	INNER PACK	OUTER PACK
ETE625LR	14	56

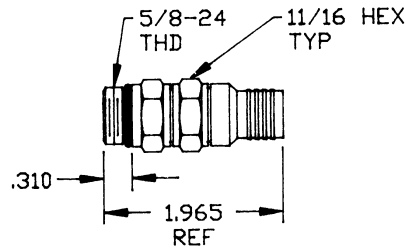
**5/8" - 24 Entry to  
11 Series**



**Ordering Information**

CATALOG NUMBER	DESCRIPTION	INNER PACK	OUTER PACK
EMI11	Entry, Feed Thru Connector, 11 Series	39	624

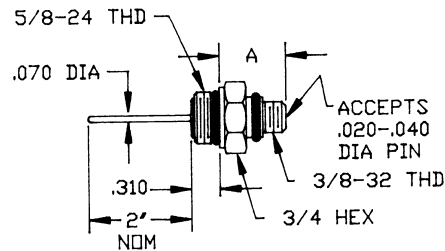
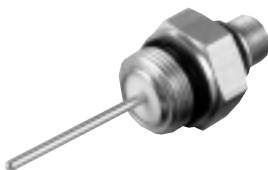
**5/8" - 24 Entry to  
11 Series Crimp On**



**Ordering Information**

CATALOG NUMBER	POST I.D.	COLLAR I.D.	CRIMP SIZE	TOOL†	INNER PACK	OUTER PACK
ECR11	.295	.477	.470	1,2	40	480

**5/8" - 24 Entry to  
"F" Female**



**Ordering Information**

CATALOG NUMBER	DESCRIPTION	DIM A	INNER PACK	OUTER PACK
F625E	"F" Female	.806	40	480
F625BE	"F" Female (AC Block)	.951	40	480
KF625E*	"F" Female, 1 GHz	.941	40	480

†TOOL: 1 = CT611QS, 2 = CT214

\*ACCEPTS .032-.040 DIA. PIN

**Precision, Auto Seize, 90° Adaptor**



The adaptor is designed to provide a superior connection and is the easiest to install, saving time in the field. The adaptor's design allows for a high seizure force with pin connectors resulting in a more robust mechanical and electrical connection. It provides one GigaHertz performance and power passing reliability for future cable plant designs.

**DESIGN ADVANTAGES**

- The auto seize feature requires less installation time thus eliminates craft sensitivity issues.
- One step installation for entry connectors ensures a solid mechanical and electrical contact. The center conductor seizure screw connection is no longer required.
- Superior power capability up to 15 Amps.
- The adaptor is environmentally sealed utilizing UV Ozone Resistant Ethylene Propylene O-rings.
- 5/8"-24 male/female interface complies with SCTE IPS-SP-500 and IPS-SP-501.

**PROPERTIES**

**PHYSICAL**

BODY COMPONENTS: ALUMINUM 6262 ALLOY  
 BODY FINISH: CHROMATE CONVERSION COATING WITH DRY THIN FILM LUBRICANT  
 TERMINAL: BRASS CDA360, SILVER PLATED  
 ENTRY SUPPORT: ULTEM 1000, TPX  
 O-RINGS: ETHYLENE PROPYLENE

**ELECTRICAL**

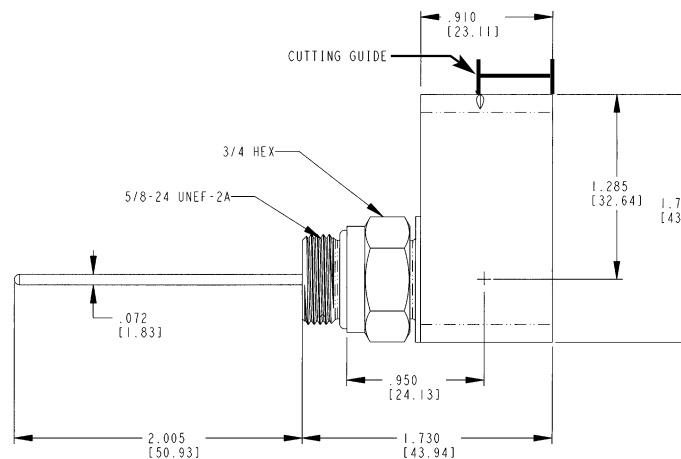
CURRENT RATING: 15 AMPS AT 90 VOLTS AC AT 122° F (50° C)  
 INSULATION RESISTANCE: >20 GIGAOHMS @ 1,000 VOLTS  
 BREAKDOWN VOLTAGE: 2.4 Kv  
 DIELECTRIC STRENGTH: COMPLIES TO BELLCORE GR-2846-CORE, GENERIC REQUIREMENTS FOR COAXIAL DISTRIBUTION CONNECTORS  
 RETURN LOSS: -31 dB TYPICAL  
 INSERTION LOSS: -.1 dB TYPICAL  
 RFI SHIELDING: -105 dB TYPICAL

**MECHANICAL**

ENTRY PIN INSERTION FORCE: 0  
 ENTRY PIN RETENTION FORCE: 50 LBS. TYPICAL

**ENVIRONMENTAL**

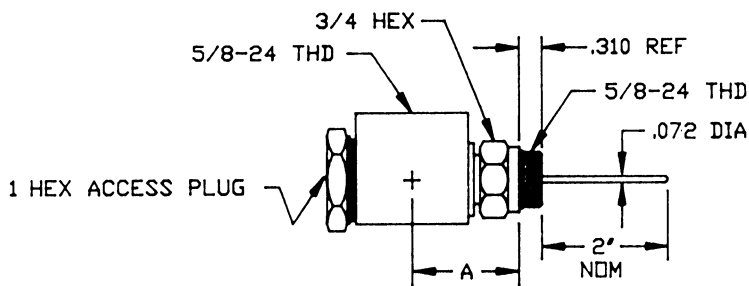
TEMPERATURE RATING: -40° F (-40° C) TO 140° F (60° F)  
 SALT SPRAY (FOG) EXPOSURE: COMPLIES TO BELLCORE GR-2846-CORE, GENERIC REQUIREMENTS FOR COAXIAL DISTRIBUTION CONNECTORS  
 INTERFACE MOISTURE MIGRATION: COMPLIES TO SCTE STANDARD IPS-TP-013



**Ordering Information**

CATALOG NUMBER	DESCRIPTION	INNER PACK	OUTER PACK
EU90AS	Precision, Auto Seize, 90° Adaptor	24	192

**90° or Right Angle Adaptor**

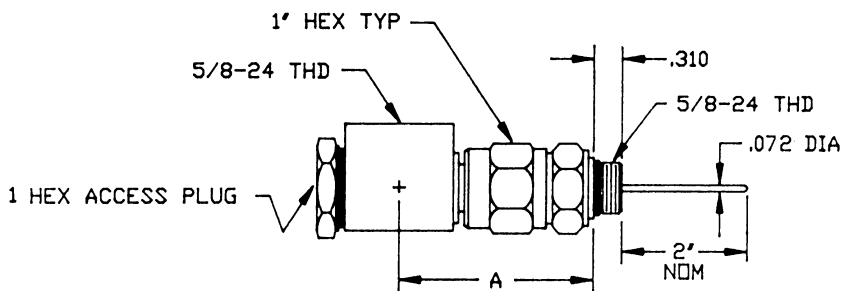


**Ordering Information**

CATALOG NUMBER	DIM A	INNER PACK	OUTER PACK
EU90	1.185	16	128
EU903	2.435	16	128
EU9045	3.435	16	64
EU906	5.685	16	64

ACCEPTS CENTER CONDUCTOR SIZE UP TO .185

**Rotational Right Angle Adaptor**

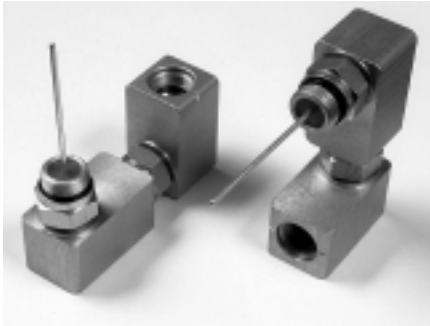


**Ordering Information**

CATALOG NUMBER	DIM A	INNER PACK	OUTER PACK
EU90R	2.305	16	128
EU90R3	5.420	16	128

ACCEPTS CENTER CONDUCTOR SIZE UP TO .185

**Precision, Auto Seize 180° Adaptor**



Thomas & Betts' 180 degree adaptor is designed to provide a superior connection and is the easiest to install, saving time in the field. The adaptor's design allows for a high seizure force with pin connectors resulting in a more robust mechanical and electrical connection. It provides one GigaHertz performance and power passing reliability for future cable plant designs.

**DESIGN ADVANTAGES**

- The auto seize feature requires less installation time thus eliminates craft sensitivity issues.
- One step installation for entry connectors ensures a solid mechanical and electrical contact. The center conductor seizure screw connection is no longer required.
- Superior power capability up to 15 Amps.
- The adaptor is environmentally sealed utilizing UV Ozone Resistant Ethylene Propylene O-rings.
- 5/8"-24 male/female interface complies with SCTE IPS-SP-500 and IPS-SP-501.

**PROPERTIES**

**PHYSICAL**

BODY COMPONENTS: ALUMINUM 6262 ALLOY  
 BODY FINISH: CHROMATE CONVERSION COATING WITH DRY THIN FILM LUBRICANT  
 TERMINAL: BRASS CDA360, SILVER PLATED  
 ENTRY SUPPORT: ULTEM 1000, TPX  
 O-RINGS: ETHYLENE PROPYLENE

**ELECTRICAL**

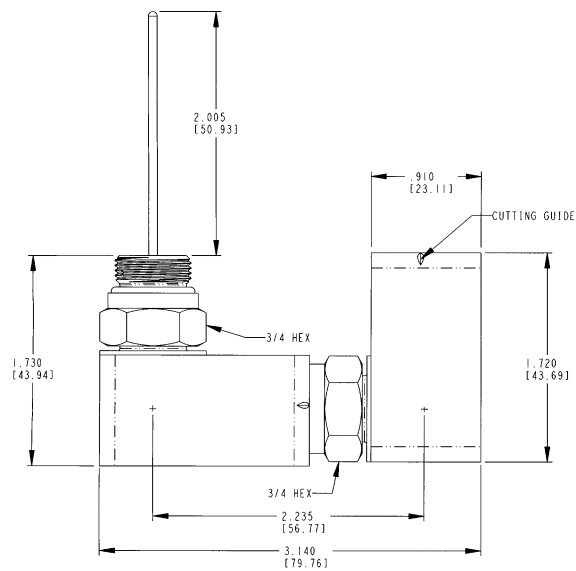
CURRENT RATING: 15 AMPS AT 90 VOLTS AC AT 122° F (50° C)  
 INSULATION RESISTANCE: >20 GIGAOHMS @ 1,000 VOLTS  
 BREAKDOWN VOLTAGE: 2.4 KV  
 DIELECTRIC STRENGTH: COMPLIES TO BELLCORE GR-2846-CORE, GENERIC REQUIREMENTS FOR COAXIAL DISTRIBUTION CONNECTORS  
 RETURN LOSS: -31 dB TYPICAL  
 INSERTION LOSS: -.15 dB TYPICAL  
 RFI SHIELDING: -105 dB TYPICAL

**MECHANICAL**

ENTRY PIN INSERTION FORCE: 0  
 ENTRY PIN RETENTION FORCE: 50 LBS. TYPICAL

**ENVIRONMENTAL**

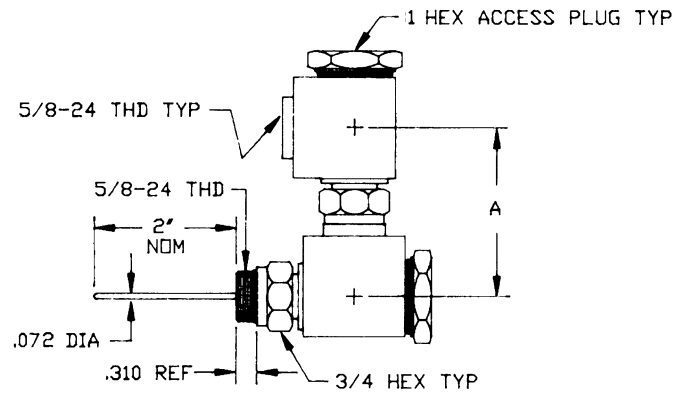
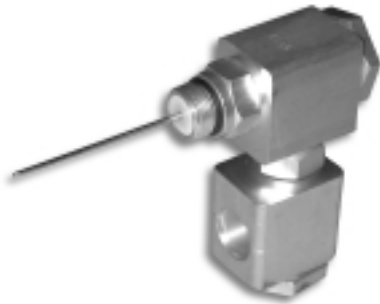
TEMPERATURE RATING: -40° F (-40° C) TO 140° F (60° F)  
 SALT SPRAY (FOG) EXPOSURE: COMPLIES TO BELLCORE GR-2846-CORE, GENERIC REQUIREMENTS FOR COAXIAL DISTRIBUTION CONNECTORS  
 INTERFACE MOISTURE MIGRATION: COMPLIES TO SCTE STANDARD IPS-TP-013



**Ordering Information**

CATALOG NUMBER	DIM A	INNER PACK	OUTER PACK
EU180AS	2.235	8	64
EU180AS3	3.270	8	64

180° Adaptor



**Ordering Information**

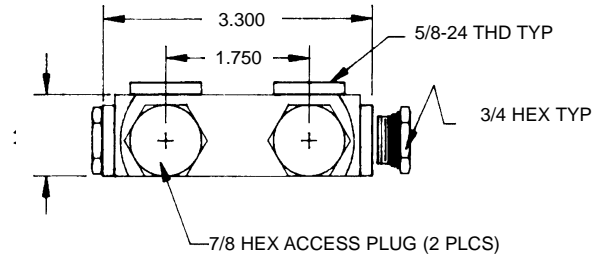
CATALOG NUMBER	DIM A	INNER PACK	OUTER PACK
EU180	1.990	8	64
EU1803	3.270	8	64
EU18045	4.265	8	32

ACCEPTS CENTER CONDUCTOR SIZE UP TO .185



**Housing Splice Block**

Housing splice blocks allow through splicing, right angle turns and in-line pedestal turns of two connectors. Interior contact design allows for high power passing capability and excellent return loss characteristics up to 1 GHz.



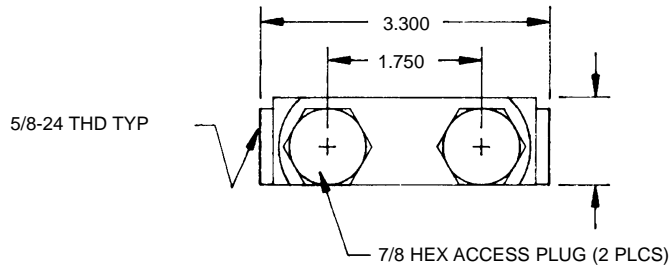
**Ordering Information**

CATALOG NUMBER	DESCRIPTION	INNER PACK	OUTER PACK
HSB	—	15	120
HSBGD	Grounding Lug Feature	12	96

ACCEPTS CENTER CONDUCTOR SIZE UP TO .185

**Through Splice Block**

Through splice blocks allow for through splicing of two connectors only. Both can be used for splicing like or different size cable. Interior contact design allows for high power passing capability and excellent return loss characteristics up to 1 GHz.

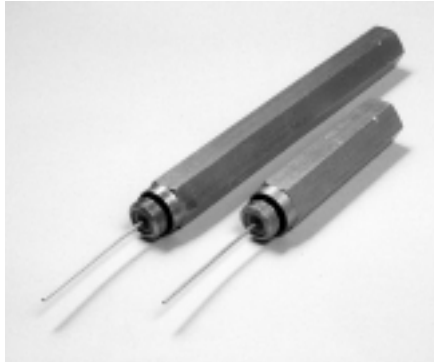


**Ordering Information**

CATALOG NUMBER	DESCRIPTION	INNER PACK	OUTER PACK
TSB		19	125

ACCEPTS CENTER CONDUCTOR SIZE UP TO .185

**Precision, Auto Seize Extension Adaptors**



These adaptors provide a means to extend any pin connector 3" or 6" where additional length is required. The adaptors' design provides a high seizure force to pin connectors for a robust mechanical and electrical connection. The adaptors are the easiest to install, saving time, while providing one GigaHertz performance and power passing reliability for future cable plant designs. The auto seize feature requires less installation time thus eliminates craft sensitivity issues.

**DESIGN ADVANTAGES**

- One step installation for entry connectors ensures a solid mechanical and electrical contact.
- High frequency performance with return loss rating of -31 dB minimum up to 1 GHz.
- Adaptors are environmentally sealed utilizing UV Ozone Resistant Ethylene Propylene O-rings.
- 5/8"-24 male/female interface complies with SCTE IPS-SP-500 and IPS-SP-501.

**PROPERTIES**

**PHYSICAL**

BODY COMPONENTS: ALUMINUM 6262 ALLOY  
 BODY FINISH: CHROMATE CONVERSION COATING WITH DRY THIN FILM LUBRICANT  
 TERMINAL: BRASS CDA360, SILVER PLATED  
 ENTRY SUPPORT: ULTEM 1000, DELRIN, TPX  
 O-RINGS: ETHYLENE PROPYLENE

**ELECTRICAL**

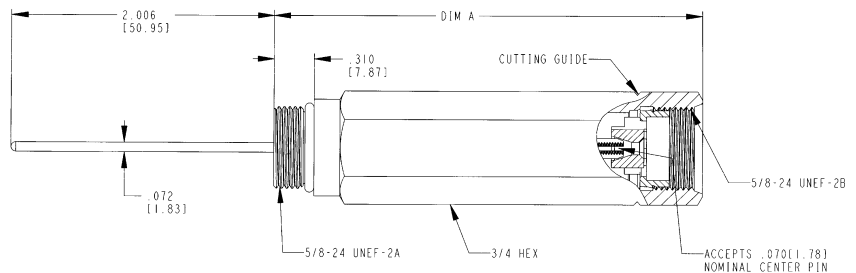
CURRENT RATING: 15 AMPS AT 90 VOLTS AC AT 122° F (50° C)  
 INSULATION RESISTANCE: >20 GIGAOHMS @ 1,000 VOLTS  
 BREAKDOWN VOLTAGE: >2.4 Kv  
 DIELECTRIC STRENGTH: COMPLIES TO BELLCORE GR-2846-CORE, GENERIC REQUIREMENTS FOR COAXIAL DISTRIBUTION CONNECTORS  
 RETURN LOSS: -33 dB TYPICAL  
 INSERTION LOSS: -.1 dB TYPICAL  
 RFI SHIELDING: -105 dB TYPICAL

**MECHANICAL**

ENTRY PIN INSERTION FORCE: 0  
 ENTRY PIN RETENTION FORCE: 50 LBS. TYPICAL

**ENVIRONMENTAL**

TEMPERATURE RATING: -40° F (-40° C) TO 140° F (60° F)  
 SALT SPRAY (FOG) EXPOSURE: COMPLIES TO BELLCORE GR-2846-CORE, GENERIC REQUIREMENTS FOR COAXIAL DISTRIBUTION CONNECTORS  
 INTERFACE MOISTURE MIGRATION: COMPLIES TO SCTE STANDARD IPS-TP-013



**Ordering Information**

CATALOG NUMBER	DESCRIPTION	INNER PACK	OUTER PACK
EXTAS3	Precision, Auto Seize Extension, 3"	20	160
EXTAS6	Precision, Auto Seize Extension, 6"	20	80

High Voltage Terminator



Designed for current and future two-way broadband RF networks using 60 volt, 90 volt, or greater power supplies.

DESIGN ADVANTAGES

- Exceptional return loss performance throughout the RF spectrum from 5 MHz to 1 GHz.
- Corrosion resistant tin-plated brass body construction.
- Reliable soldered connections for the prevention of intermodulation conditions.

PROPERTIES

PHYSICAL PROPERTIES

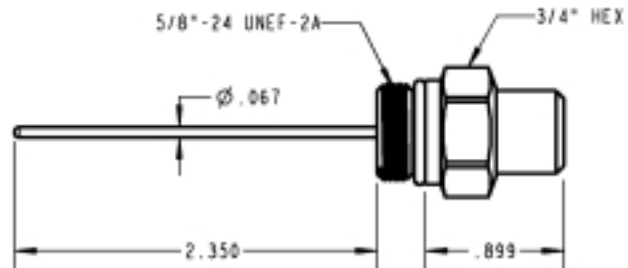
BODY COMPONENTS: BRASS  
 BODY FINISH: BRIGHT TIN PLATE  
 TERMINAL/CONTACT: BRASS CDA 360 WITH SILVER/COPPER PLATE  
 INSULATORS: ULTEM

ELECTRICAL PROPERTIES

VOLTAGE SPIKE: EXCEEDS REQUIREMENTS FOR IEEE C62-41 6KV PULSE TEST.  
 RETURN LOSS: -31 dB BETWEEN 5 - 1000 MHz  
 RFI SHIELDING: 108 dB BETWEEN 5 - 1000 MHz

ENVIRONMENTAL PROPERTIES

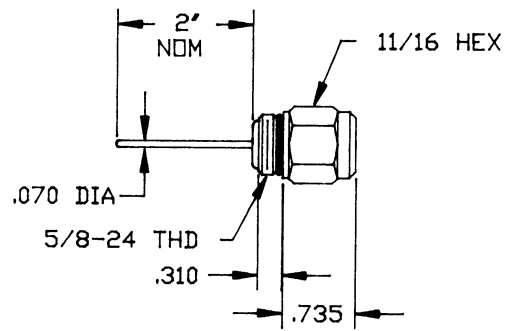
TEMPERATURE RATING: -20°F (-28°C) TO 140°F (60°C)  
 SALT SPRAY EXPOSURE: EXCEEDS REQUIREMENTS OF BELLCORE GR-2846-CORE  
 MOISTURE MIGRATION: EXCEEDS REQUIREMENTS OF SCTE IPS-TP-013



Ordering Information

CATALOG NUMBER	TERMINATION	DESCRIPTION	INNER PACK	OUTER PACK
625TRBHV	75 Ohm	AC Blocking Feature, High Voltage	20	240

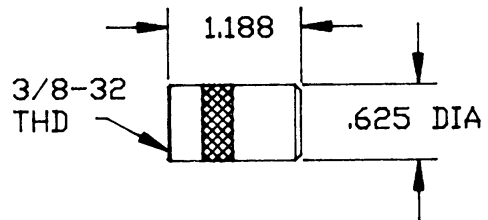
Housing Terminator



Ordering Information

CATALOG NUMBER	TERMINATION	DESCRIPTION	INNER PACK	OUTER PACK
625TRB	75 Ohm	AC Blocking Feature	50	600

Terminator



Ordering Information

CATALOG NUMBER	TERMINATION	DESCRIPTION	INNER PACK	OUTER PACK
TRFS	75 Ohm	-	40	320
TRBF	75 Ohm	AC Blocking Feature	40	320

USED WITH CABLE TO "F" FEMALE ADAPTORS

**5/8"-24 Female to Female  
Adaptor, Auto Seize**



“KSFAS” is a Universal Female Adaptor that simplifies cable splicing by using readily available entry connectors. The KSFAS joins any two 5/8"-24 male entry connectors using an auto seize feature which automatically grips the center pins upon connector installation.

**DESIGN ADVANTAGES**

- The auto seize feature requires less installation time thus eliminates craft sensitivity issues.
- One step installation for entry connectors ensures a solid mechanical and electrical contact.
- The adaptor is environmentally sealed utilizing UV Ozone Resistant Ethylene Propylene O-rings.
- 5/8"-24 female interface complies with SCTE IPS-SP-500.
- Reduces inventory. One size fits all 5/8"-24 thread

**PROPERTIES**

**PHYSICAL**

BODY, NUT AND TERMINAL COMPONENTS: BRASS  
CDA360 HH  
BODY AND NUT FINISH: ELECTROLESS NICKEL OVER COPPER  
TERMINAL FINISH: SILVER OVER COPPER  
COLLAR: DELRIN  
SNAP RING: PHOSPHOR BRONZE  
O-RINGS: ETHYLENE PROPYLENE

**ELECTRICAL**

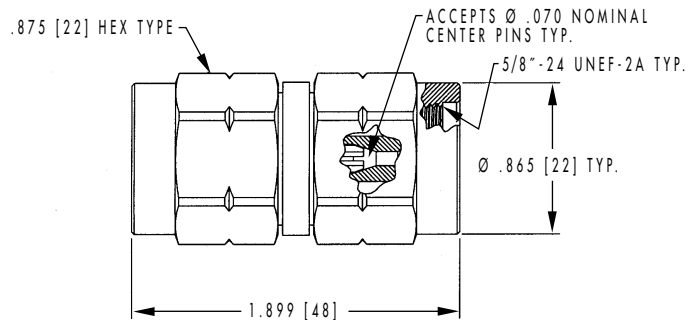
CURRENT RATING: 25 AMPS AT 90 VOLTS AC AT 122° F (50° C)  
INSULATION RESISTANCE: >20 GIGAOHMS @ 1,000 VOLTS  
BREAKDOWN VOLTAGE: >2.4 Kv  
DIELECTRIC STRENGTH: COMPLIES TO BELLCORE, GR-2846-CORE, GENERIC REQUIREMENTS FOR COAXIAL DISTRIBUTION CONNECTORS  
RETURN LOSS: -31 dB TYPICAL  
INSERTION LOSS: -.1 dB TYPICAL  
RFI SHIELDING: -105 dB TYPICAL

**MECHANICAL**

ENTRY PIN INSERTION FORCE: 0 LBS.  
ENTRY PIN RETENTION FORCE: 50 LBS. TYPICAL

**ENVIRONMENTAL**

TEMPERATURE RATING: -40° F (-40° C) TO 140° F (60° C)  
SALT SPRAY (FOG) EXPOSURE: COMPLIES TO BELLCORE, GR-2846-CORE, GENERIC REQUIREMENTS FOR COAXIAL DISTRIBUTION CONNECTORS  
INTERFACE MOISTURE MIGRATION: COMPLIES TO SCTE STANDARD IPS-TP-013

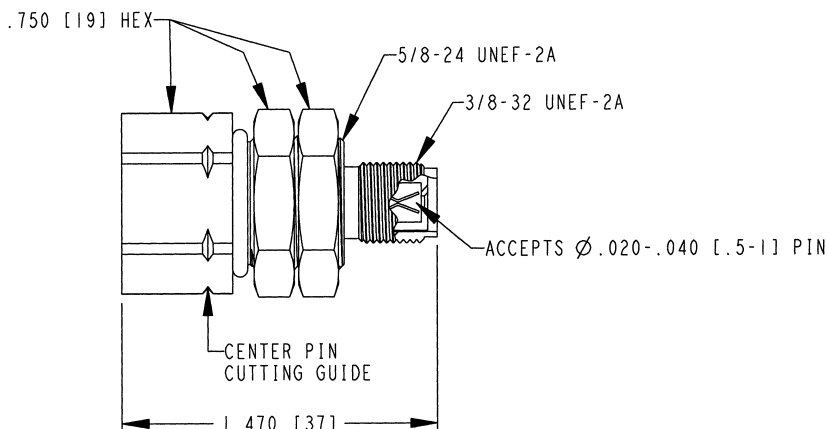


**Ordering Information**

CATALOG NUMBER	DESCRIPTION	INNER PACK	OUTER PACK
KSFAS	5/8"-24 Female to Female Adaptor, Auto Seize	25	100

5/8"-24 Female to "F" Female Adaptors

5/8"-24 Female to "F" Female Adaptor



Ordering Information

CATALOG NUMBER	DESCRIPTION	INNER PACK	OUTER PACK
BAFF	5/8"-24 Female to "F" Female Adaptor	39	468

**5/8"-24 Male to Female  
Adaptor, Rotational**



The 5/8"-24 Male to Female Rotational Adaptors have been designed to interface between equipment housings and pin type connectors. The design allows for easy "cable to equipment" disconnect without having to remove the pin connector from the cable. The adaptors are also ideal for use with connectors installed on flooded compound cables as with QUANTUM REACH® cable thus eliminating the potential for jacket material shrink-back.

**DESIGN ADVANTAGES**

- Pin size selected for maximum flexibility for most equipment seizing mechanisms.
- Pin terminal is made of high-quality silver plated brass for superior electrical conductivity and maximum center conductor retention.
- Entry pin connector cutting guide is built into the adaptors for reliable and repeatable installations.
- Utilizes standard 5/8"-24 entry port threads.
- The adaptors are environmentally sealed utilizing UV/Ozone Resistant Ethylene Propylene O-rings.
- Part number stamped on adaptors for easy identification.

**PROPERTIES**

**PHYSICAL**

BODY, NUT AND TERMINAL COMPONENTS: BRASS  
CDA360 HH  
BODY AND NUT FINISH: ELECTROLESS NICKEL OVER COPPER  
TERMINAL FINISH: SILVER OVER COPPER FLASHING  
LOCKING RING: PHOSPHOR BRONZE  
INSULATOR: TEFLON  
O-RINGS: ETHYLENE PROPYLENE

**ELECTRICAL**

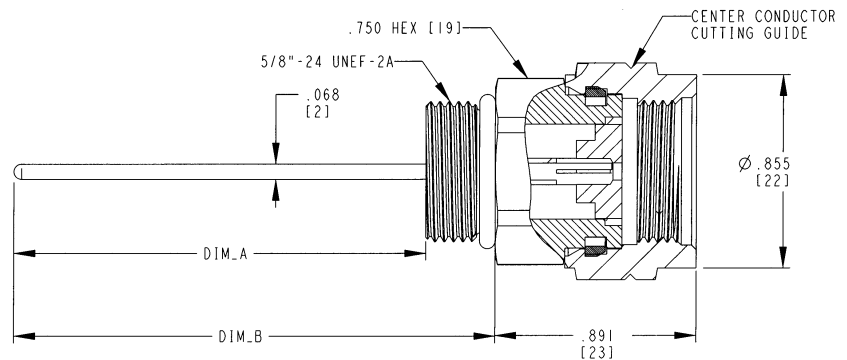
RETURN LOSS: -38 dB TYPICAL  
INSERTION LOSS: -.13 dB TYPICAL  
RFI SHIELDING: -.105 dB TYPICAL  
BREAKDOWN VOLTAGE: 30 Kv  
DIELECTRIC STRENGTH: COMPLIES TO BELLCORE, GR-2846-CORE, GENERIC REQUIREMENTS FOR COAXIAL DISTRIBUTION CONNECTORS  
CURRENT RATING: 15 AMP  
INSULATION RESISTANCE: 200 GIGAOHMS @ 1,000 VOLTS

**MECHANICAL**

ENTRY PIN CONNECTOR INSERTION FORCE: 6.5LBS. TYPICAL WITH .068 PIN  
ENTRY PIN CONNECTOR RESISTANCE FORCE: 5LBS. TYPICAL WITH .068 PIN  
ENTRY PIN CONNECTOR RETENTION FORCE: 125LBS. TYPICAL

**ENVIRONMENTAL**

TEMPERATURE RATING: -40° F (-40° C) TO 140° F (60° C)  
SALT SPRAY (FOG) EXPOSURE: COMPLIES TO BELLCORE, GR-2846-CORE, GENERIC REQUIREMENTS FOR COAXIAL DISTRIBUTION CONNECTORS



**Ordering Information**

CATALOG NUMBER	DIM A	DIM B	INNER PACK	OUTER PACK
KSMASR	1.822 [46]	2.132 [54]	20	160
KSMASRC	.740 [19]	1.051 [27]	20	160

**Precision Auto-Seize Universal "F" Male to Hardline Adaptor**



This adaptor is designed to be used with any entry pin trunk and distribution hardline connector. The AFMAS connector's auto-seize design provides a superior connection and ease of installation, saving time in the field. The connector design also allows for a high seizure interface force resulting in a robust electrical connection. The AFMAS provides One GigaHertz performance with maximum power passing reliability. The connector is an "F" Male to 5/8-24 female adaptor.

**PROPERTIES**

**PHYSICAL**

BODY COMPONENTS: ALUMINUM 6262 ALLOY  
 BODY FINISH: CHROMATE CONVERSION COATING WITH DRY THIN FILM LUBRICANT  
 TERMINAL: BRASS CDA360 FH, SILVER PLATED  
 ENTRY SUPPORT: ULTEM 1000, TPX  
 O-RINGS: ETHYLENE PROPYLENE

**ELECTRICAL**

CURRENT RATING: 15 AMPS AT 90 VOLTS AC AT 122° F (50° C)  
 INSULATION RESISTANCE: >20 GIGAOHMS @ 1,000 VOLTS  
 BREAKDOWN VOLTAGE: >2.4 KV  
 DIELECTRIC STRENGTH: COMPLIES TO BELLCORE GR-2846-CORE, GENERIC REQUIREMENTS FOR COAXIAL DISTRIBUTION CONNECTORS  
 RETURN LOSS: -30 dB TYPICAL  
 INSERTION LOSS: -.3 dB TYPICAL  
 RFI SHIELDING: -100 dB TYPICAL

**MECHANICAL**

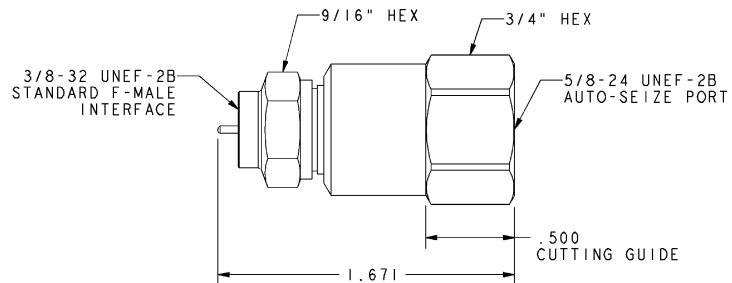
ENTRY PIN INSERTION FORCE: 0  
 ENTRY PIN RETENTION FORCE: 50 LBS. TYPICAL

**ENVIRONMENTAL**

TEMPERATURE RATING: -40° F (-40° C) TO 140° F (60° C)  
 SALT SPRAY (FOG) EXPOSURE: COMPLIES TO BELLCORE GR-2846-CORE, GENERIC REQUIREMENTS FOR COAXIAL DISTRIBUTION CONNECTORS  
 INTERFACE MOISTURE MIGRATION: COMPLIES TO SCTE STANDARD IPS-TP-013

**DESIGN ADVANTAGES**

- Adapts 5/8"-24 entry pin connectors to standard "F" female 3/8"-32 interface.
- Utilizes auto-seize mechanism on 5/8"-24 female port.
- Body components are manufactured from 6262 aluminum alloy, then chromate conversion coated for corrosion resistance and lubricated to provide easy, non-galling installation.
- Auto seize terminal is made of high-quality, silver-plated brass for superior RF electrical conductivity and maximum center conductor retention.
- Center conductor cutting guide is built into the connector for reliable and repeatable installations.
- "Positive Stop" eliminates guesswork and assures proper tightening of the connector to adaptor interface.
- Part number stamped on adaptor for ease of identification.



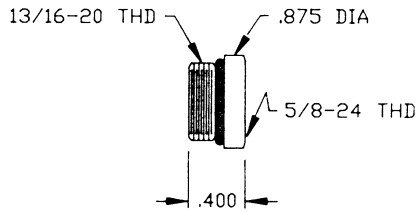
**Ordering Information**

CATALOG NUMBER	DESCRIPTION	INNER PACK	OUTER PACK
AFMAS	Universal "F" Male to Hardline Adaptor	25	100



**5/8"-24 Adaptor**

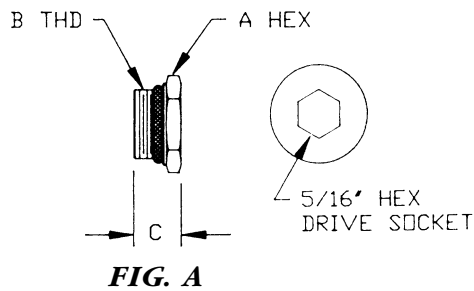
A variety of replacement plugs and caps for equipment and connector adaptors are available.



**Ordering Information**

CATALOG NUMBER	DESCRIPTION	INNER PACK	OUTER PACK
KS625	Adaptor, 13/16-20 to 5/8-24	50	1200

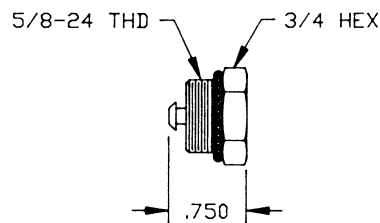
**Plug with "O" Ring**



**Ordering Information**

CATALOG NUMBER	FIG.	DESCRIPTION	DIMENSION			INNER PACK	OUTER PACK
			A	B	C		
625P	A	Plug With "O" Ring	3/4	5/8-24	.400	100	1500
625HP	B	Plug With "O" Ring	3/4	5/8-24	.360	1	1
750P	A	Plug, Hex With "O" Ring	7/8	3/4-24	.345	100	1200

**Distribution Amplifier Plug**



**Ordering Information**

CATALOG NUMBER	DESCRIPTION	INNER PACK	OUTER PACK
115642	Distribution Amplifier Plug	1	1000

**By-Pass Port Adaptor**



Thomas & Betts LRC® Bypass Port Adaptor provides a method of directing signals and power around CATV active and passive equipment. The adaptor is installed on select equipment to allow the signal and power to be bypassed without interruption of service. Functioning with flexible “male to male”, pogo pin style cable adaptors, the adaptor provides a simple, fast, and cost-effective method to bypass equipment so that routine maintenance or upgrades can be performed without interrupting service to subscribers. When connected between the equipment and 5/8” (1.587 cm) -24 pin type entry connectors, the adaptor’s auto seize mechanism provides a robust mechanical and electrical connection providing one GHz performance and power passing reliability.

**PROPERTIES**

**PHYSICAL**

BODY COMPONENTS: ALUMINUM 6262 ALLOY  
 BODY FINISH: CHROMATE CONVERSION COATING  
 TERMINAL: BRASS CDA360, SILVER PLATED  
 ENTRY SUPPORT: ULTEM 1000, TPX  
 O-RINGS: ETHYLENE PROPYLENE

**ELECTRICAL**

CURRENT RATING: 15 AMPS AT 90 VOLTS AC AT 122° F (50° C)  
 INSULATION RESISTANCE: >20 GIGAOHMS @ 1,000 VOLTS  
 DIELECTRIC STRENGTH: COMPLIES TO BELLCORE GR-2846-CORE, GENERIC REQUIREMENTS FOR COAXIAL DISTRIBUTION CONNECTORS (1 Kv RMS FOR 1 MINUTE)  
 RETURN LOSS: -31 dB TYPICAL  
 INSERTION LOSS: -.1 dB TYPICAL  
 RFI SHIELDING: -105 dB TYPICAL

**MECHANICAL**

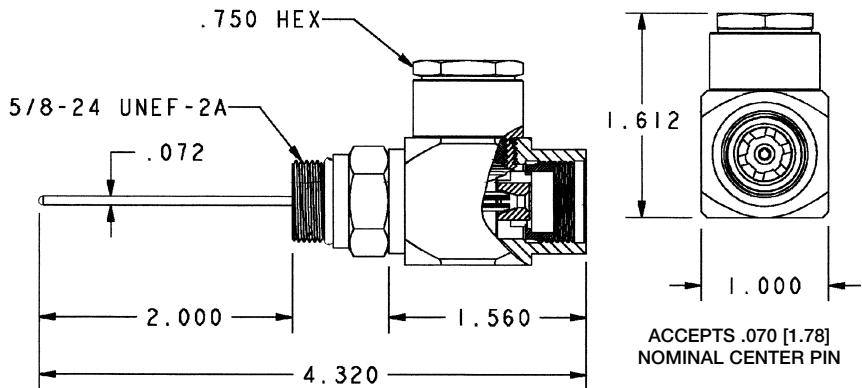
ENTRY PIN INSERTION FORCE: 0 LBS. (0 KG.)  
 ENTRY PIN RETENTION FORCE: 50 LBS. (22.7 KG) TYPICAL

**ENVIRONMENTAL**

TEMPERATURE RATING: -40° F (-40° C) TO 140° F (60° C)  
 SALT SPRAY (FOG) EXPOSURE: COMPLIES TO BELLCORE GR-2846-CORE, GENERIC REQUIREMENTS FOR COAXIAL DISTRIBUTION CONNECTORS  
 INTERFACE MOISTURE MIGRATION: COMPLIES TO SCTE STANDARD IPS-TP-013

**DESIGN ADVANTAGES**

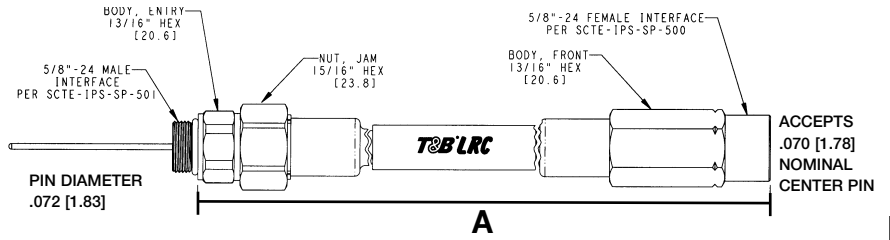
- Permanently installed on equipment to provide quick and easy access.
- Cost effective method to maintain service integrity to the end user.
- Utilizes patented auto seize design which provides constant positive pressure to pins of entry connectors.
- High frequency performance with return loss rating of -31 dB minimum up to 1 GHz.
- Superior power capability up to 15 Amps minimum.
- Environmentally sealed utilizing UV Ozone Resistant Ethylene Propylene O-rings.
- 5/8” (1.587 cm) -24 female bypass port.



**Ordering Information**

CATALOG NUMBER	DESCRIPTION	INNER PACK	OUTER PACK
EXTAS2BP	By-Pass Port Adaptor	12	12

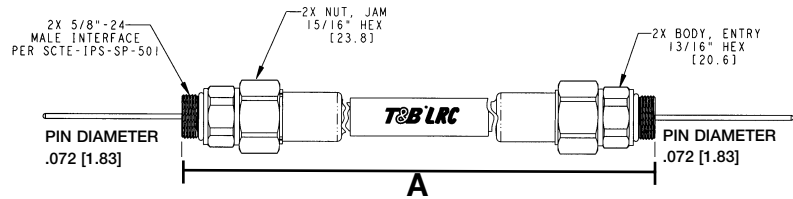
Male to Female  
Flexible Cable Adaptors



Ordering Information

CATALOG NUMBER	INCH	DIM A [CM]	INNER PACK	OUTER PACK
J11KSMF15	16.95	[43.00]	1	75
J11KSMF25	26.60	[67.60]	1	50
J11KSMF30	31.45	[79.90]	-	1
J11KSMF40	38.70	[98.30]	1	50
J11KSMF50	50.80	[129.00]	30	30
J11KSMF65	62.90	[159.75]	1	25
J11KSMF75	75.00	[190.50]	-	1
J11KSMF85	87.10	[221.20]	-	1
J11KSMF100	99.20	[251.95]	-	4
J11KSMF140	147.55	[374.80]	-	1
J11KSMF160	166.90	[424.00]	-	1
J11KSMF220	224.95	[571.40]	-	1
J11KSMF360	360.45	[915.55]	-	1
J11KSMF1800	1802.15	[4577.50]	-	1

Male to Male  
Flexible Cable Adaptors



Ordering Information

CATALOG NUMBER	INCH	DIM A [CM]	INNER PACK	OUTER PACK
J11KSMM15	13.80	[35.00]	1	75
J11KSMM25	26.00	[66.00]	1	50
J11KSMM30	30.75	[78.10]	1	30
J11KSMM40	38.00	[96.50]	1	30
J11KSMM50	50.10	[127.25]	-	50
J11KSMM65	62.20	[158.00]	-	1
J11KSMM75	74.30	[188.70]	-	1
J11KSMM85	86.40	[219.50]	1	30
J11KSMM100	96.00	[243.80]	1	8
J11KSMM140	146.90	[373.00]	-	1
J11KSMM160	166.20	[422.20]	-	1
J11KSMM220	224.30	[569.70]	-	1
J11KSMM360	359.70	[913.55]	-	1
J11KSMM1800	1801.50	[4575.70]	-	1

# CROSS REFERENCE

## CABLE TYPE - COMMSCOPE P3/TIMES FIBER T10

CONNECTOR TYPE	2 PIECE "K" SERIES	PAGE #	3 PIECE "W" SERIES	PAGE #
<b>Pin Connectors</b>				
	EI412K3	.44	EFI412W3	.51
	EI500K3	.44	EFI500W3	.51
	EI625K3	.44	EFI625W3	.51
	EI750K3	.44	EFI750W3	.51
	EI875K3	.44	EFI875W3	.51
	EI1000K3	.44	EFI1000W3	.51
<b>Splice Connectors</b>				
	SI412K3	.45	SFI412W3	.52
	SI500K3	.45	SFI500W3	.52
	SI625K3	.45	SFI625W3	.52
	SI750K3	.45	SFI750W3	.52
	SI875K3	.45	SFI875W3	.52
	SI1000K3	.45	SFI1000W3	.52
<b>Pin Type Extensions 3", 6" or 9"</b>				
	EI412K3LB	.46	EFI412W3LB	.53
	EI500K3LB	.46	EFI500W3LB	.53
	EI625K3LB	.46	EFI625W3LB	.53
	EI750K3LB	.46	EFI750W3LB	.53
	EI875K3LB	.46	EFI875W3LB	.53
	EI1000K3LB	.46	EFI1000W3LB	.53
<b>Cable to Female Bulkhead Adaptors</b>				
	BI412FFK3	.47	BAI412FFW3	.54
	BI500FFK3	.47	BAI500FFW3	.54
	BI625FFK3	.47	BAI625FFW3	.54
	BI750FFK3	.47	BAI750FFW3	.54
	BI875FFK3	.47	BAI875FFW3	.54
	BI1000FFK3	.47	BAI1000FFW3	.54
<b>Cable to "F" Male Adaptors</b>				
	AI412FMK3	.48	AI412FMW3	.55
	AI500FMK3	.48	AI500FMW3	.55
	AI625FMK3	.48	AI625FMW3	.55
	AI750FMK3	.48	AI750FMW3	.55
	AI875FMK3	.48	AI875FMW3	.55
	AI1000FMK3	.48	AI1000FMW3	.55
<b>Cable Terminators</b>				
	AI412TRBK3	.49	AI500TRBW3	.56
	AI500TRBK3	.49	AI625TRBW3	.56
	AI625TRBK3	.49	AI750TRBW3	.56
	AI750TRBK3	.49	AI875TRBW3	.56
	AI875TRBK3	.49		
	AI1000TRBK3	.49		
<b>Feed Thru Entry Connectors</b>				
	EMI412P3	.60		
	EMI500P3	.60		
	EMI625K3	.60		

# CROSS REFERENCE

## CABLE TYPE - COMMSCOPE QR

CONNECTOR TYPE	2 PIECE "K" SERIES	PAGE #	3 PIECE "G" SERIES	PAGE #
<b>Pin Connectors</b>				
	EI500QR . . . . .	.44	EFI540QRG . . . . .	.51
	EI540QR . . . . .	.44	EFI715QRG . . . . .	.51
	EI715QR . . . . .	.44	EFI860QRG . . . . .	.51
	EI860QR . . . . .	.44	EFI1125QRG . . . . .	.51
	EI1125QR . . . . .	.44		
<b>Splice Connectors</b>				
	SI500QR . . . . .	.45	SFI540QRG . . . . .	.52
	SI540QR . . . . .	.45	SFI715QRG . . . . .	.52
	SI715QR . . . . .	.45	SFI860QRG . . . . .	.52
	SI860QR . . . . .	.45	SFI1125QRG . . . . .	.52
	SI1125QR . . . . .	.45		
<b>Pin Type Extensions 3", 6" or 9"</b>				
	EI500QRLB . . . . .	.46	EFI540QRGLB . . . . .	.53
	EI540QRLB . . . . .	.46	EFI715QRGLB . . . . .	.53
	EI715QRLB . . . . .	.46	EFI860QRGLB . . . . .	.53
	EI860QRLB . . . . .	.46	EFI1125QRGLB . . . . .	.53
	EI1125QRLB . . . . .	.46		
<b>Cable to Female Bulkhead Adaptors</b>				
	BI500FFQR . . . . .	.47	BAI540FFQRG . . . . .	.54
	BI540FFQR . . . . .	.47	BAI715FFQRG . . . . .	.54
	BI715FFQR . . . . .	.47	BAI860FFQRG . . . . .	.54
	BI860FFQR . . . . .	.47	BAI1125FFQRG . . . . .	.54
	BI1125FFQR . . . . .	.47		
<b>Cable to "F" Male Adaptors</b>				
	AI500FMQR . . . . .	.48	AI540FMWQRG . . . . .	.55
	AI540FMQR . . . . .	.48	AI715FMWQRG . . . . .	.55
	AI715FMQR . . . . .	.48	AI860FMWQRG . . . . .	.55
	AI860FMQR . . . . .	.48	AI1125FMWQRG . . . . .	.55
	AI1125FMQR . . . . .	.48		
<b>Cable Terminators</b>				
	AI500TRBQR . . . . .	.49	AI540TRBWQRG . . . . .	.56
	AI540TRBQR . . . . .	.49	AI715TRBWQRG . . . . .	.56
	AI715TRBQR . . . . .	.49	AI860TRBWQRG . . . . .	.56
	AI860TRBQR . . . . .	.49	AI1125TRBWQRG . . . . .	.56
<b>Feed Thru Entry Connectors</b>				
	EMI500QR . . . . .	.60		
	EMI540QR . . . . .	.60		

# CROSS REFERENCE

## CABLE TYPE - TIMES FIBER TX10

CONNECTOR TYPE	2 PIECE "K" SERIES	PAGE #	3 PIECE "W" SERIES	PAGE #
<b>Pin Connectors</b>				
	EI565TX .....	.44	EFI565TX .....	.51
	EI700TX .....	.44	EFI700TX .....	.51
	EI840TX .....	.44	EFI840TX .....	.51
	EI1160TX .....	.44		
<b>Splice Connectors</b>				
	SI565TX .....	.45	SFI565TX .....	.52
	SI700TX .....	.45	SFI700TX .....	.52
	SI840TX .....	.45	SFI840TX .....	.52
	SI1160TX .....	.45		
<b>Pin Type Extensions 3", 6" or 9"</b>				
	EI565TXLB .....	.46	EFI565TXLB .....	.53
	EI700TXLB .....	.46	EFI700TXLB .....	.53
	EI840TXLB .....	.46	EFI840TXLB .....	.53
	EI1160TXLB .....	.46		
<b>Cable to Female Bulkhead Adaptors</b>				
	BI565FFTX .....	.47	BAI565FFTX .....	.54
	BI700FFTX .....	.47	BAI700FFTX .....	.54
	BI840FFTX .....	.47	BAI840FFTX .....	.54
	BI1160FFTX .....	.47		
<b>Cable to "F" Male Adaptors</b>				
	AI565FMTX .....	.48	AI565FMWTX .....	.55
	AI700FMTX .....	.48	AI700FMWTX .....	.55
	AI840FMTX .....	.48	AI840FMWTX .....	.55
	AI1160FMTX .....	.48	AI1160FMWTX .....	.55
<b>Cable Terminators</b>				
	AI565TRBTX .....	.49	AI565TRBWTX .....	.56
	AI700TRBTX .....	.49	AI700TRBWTX .....	.56
	AI840TRBTX .....	.49	AI840TRBWTX .....	.56
	AI1160TRBTX .....	.49	AI1160TRBWTX .....	.56

# CROSS REFERENCE

## CABLE TYPE - TRILOGY MC<sup>2</sup>

CONNECTOR TYPE	2 PIECE "K" SERIES	PAGE #	3 PIECE "W" SERIES	PAGE #
<b>Pin Connectors</b>				
	EI440MC2 . . . . .	.44	EFI440MC2 . . . . .	.51
	EI500MC2 . . . . .	.44	EFI500MC2 . . . . .	.51
	EI650MC2 . . . . .	.44	EFI650MC2 . . . . .	.51
	EI750MC2 . . . . .	.44	EFI750MC2 . . . . .	.51
	EI1000MC2 . . . . .	.44	EFI1000MC2 . . . . .	.51
<b>Splice Connectors</b>				
	SI440MC2 . . . . .	.45	SFI440MC2 . . . . .	.52
	SI500MC2 . . . . .	.45	SFI500MC2 . . . . .	.52
	SI650MC2 . . . . .	.45	SFI650MC2 . . . . .	.52
	SI750MC2 . . . . .	.45	SFI750MC2 . . . . .	.52
	SI1000MC2 . . . . .	.45	SFI1000MC2 . . . . .	.52
<b>Pin Type Extensions 3", 6" or 9"</b>				
	EI440MC2LB . . . . .	.46	EFI440MC2LB . . . . .	.53
	EI500MC2LB . . . . .	.46	EFI500MC2LB . . . . .	.53
	EI650MC2LB . . . . .	.46	EFI650MC2LB . . . . .	.53
	EI750MC2LB . . . . .	.46	EFI750MC2LB . . . . .	.53
	EI1000MC2LB . . . . .	.46	EFI1000MC2LB . . . . .	.53
<b>Cable to Female Bulkhead Adaptors</b>				
	BI440FFMC2 . . . . .	.47	BAI440FFMC2 . . . . .	.54
	BI500FFMC2 . . . . .	.47	BAI500FFMC2 . . . . .	.54
	BI650FFMC2 . . . . .	.47	BAI650FFMC2 . . . . .	.54
	BI750FFMC2 . . . . .	.47	BAI750FFMC2 . . . . .	.54
	BI1000FFMC2 . . . . .	.47	BAI1000FFMC2 . . . . .	.54
<b>Cable to "F" Male Adaptors</b>				
	AI440FMMC2 . . . . .	.48	AI440FMWMC2 . . . . .	.55
	AI500FMMC2 . . . . .	.48	AI500FMWMC2 . . . . .	.55
	AI650FMMC2 . . . . .	.48	AI650FMWMC2 . . . . .	.55
	AI750FMMC2 . . . . .	.48	AI750FMWMC2 . . . . .	.55
	AI1000FMWMC2 . . . . .	.55		
<b>Cable Terminators</b>				
	AI440TRBMC2 . . . . .	.49	AI440TRBWMC2 . . . . .	.56
	AI500TRBMC2 . . . . .	.49	AI500TRBWMC2 . . . . .	.56
	AI650TRBMC2 . . . . .	.49	AI650TRBWMC2 . . . . .	.56
	AI750TRBMC2 . . . . .	.49	AI750TRBWMC2 . . . . .	.56
	AI1000TRBMC2 . . . . .	.49	AI1000TRBWMC2 . . . . .	.56
<b>Feed Thru Entry Connectors</b>				
	EMI440MC2 . . . . .	.60		
	EMI500MC2 . . . . .	.60		
	EMI650MC2 . . . . .	.60		

## INDEX

PART NUMBER	DESCRIPTION	PAGE
6150	Nut	25
6155	Washer	25
115642	Distribution Amplifier Plug	79
11QSNM	.N Series Male Crimp On Connector	38
11QSTNM	.N Series Male Crimp On Connector	38
51A002	Fiber Entry Connector	61
51A006	Fiber Entry Connector	61
51A011	Fiber Entry Connector	61
51A012	Fiber Entry Connector	61
51A013	Fiber Entry Connector	61
51A014	Fiber Entry Connector	61
56CDNM	.N Series Male Crimp On Connector	38
56CHNM	.N Series Male Crimp On Connector	38
56QSNM	.N Series Male Crimp On Connector	38
59CHNM	.N Series Male Crimp On Connector	38
59QSNM	.N Series Male Crimp On Connector	38
6155LW	Lock Washer	25
6155SL	Solder Lug	25
625HP	Plug with "O" Ring	79
625P	Plug with "O" Ring	79
625TRB	Housing Terminator	74
625TRBHV	High Voltage Terminator	73
750P	Plug, Hex with "O" Ring	79
81AMF59	Multi-Fit Splice Connector	19
81AMF59S	Multi-Fit Splice Connector - Weather Resistant	19
81AMF6	Multi-Fit Splice Connector	19
81AMF6S	Multi-Fit Splice Connector - Weather Resistant	19
81SNS59	Snap-N-Seal Two Piece Splice	12
81SNS5959QS	Snap-N-Seal Two Piece Splice - Delta	12
81SNS5959QS	Snap-N-Seal Two Piece Splice - Delta	12
81SNS596QS	Snap-N-Seal Two Piece Splice - Delta	12
81SNS596QS	Snap-N-Seal Two Piece Splice - Delta	12
81SNS59K	Snap-N-Seal Two Piece Splice - Precision	11
81SNS59QS	Snap-N-Seal Two Piece Splice	12
81SNS59QSK	Snap-N-Seal Two Piece Splice - Precision	11
81SNS6	Snap-N-Seal Two Piece Splice	12
81SNS659	Snap-N-Seal Two Piece Splice - Delta	12
81SNS659	Snap-N-Seal Two Piece Splice - Delta	12
81SNS659QS	Snap-N-Seal Two Piece Splice - Delta	12
81SNS659QS	Snap-N-Seal Two Piece Splice - Delta	12
81SNS66	Snap-N-Seal Two Piece Splice - Delta	12
81SNS6K	Snap-N-Seal Two Piece Splice - Precision	11
81SNS6QS	Snap-N-Seal Two Piece Splice	12
81SNS6QSK	Snap-N-Seal Two Piece Splice - Precision	11
AFMAS	Precision Auto Seize Universal "F" Male to Hardline Adaptor	78
AI1000FMK3	.2 Piece Cable to "F" Male Adaptor - "K" Series	48
AI1000FMK3	.2 Piece Cable to "F" Male Adaptor - "K" Series	48
AI1000FMW3	.3 Piece Hardline to "F" Male Adaptor - "W" Series	55
AI1000FMW3	.3 Piece Hardline to "F" Male Adaptor - "W" Series	55
AI1000FMWMC2	.3 Piece Hardline to "F" Male Adaptor - "W" Series	55
AI1000TRBK3	.2 Piece Cable Terminator - "K" Series	49
AI1000TRBK3	.2 Piece Cable Terminator - "K" Series	49
AI1000TRBMC2	.2 Piece Cable Terminator - "K" Series	49
AI1000TRBMC2	.3 Piece Cable Terminator - "W" Series	56
AI1125FMQR	.2 Piece Cable to "F" Male Adaptor - "K" Series	48
AI1125FMWQRG	.3 Piece Hardline to "F" Male Adaptor - "W" Series	55
AI1125TRBWQRG	3 Piece Cable Terminator - "W" Series	56
AI1160FMTX	.2 Piece Cable to "F" Male Adaptor - "K" Series	48
AI1160FMWTX	.3 Piece Hardline to "F" Male Adaptor - "W" Series	55
AI1160TRBTX	.2 Piece Cable Terminator - "K" Series	49

PART NUMBER	DESCRIPTION	PAGE
AI1160TRBWTX	.3 Piece Cable Terminator - "W" Series	56
AI412FMK	.2 Piece Cable to "F" Male Adaptor - "K" Series	48
AI412FMK3	.2 Piece Cable to "F" Male Adaptor - "K" Series	48
AI412FMK3	.2 Piece Cable to "F" Male Adaptor - "K" Series	48
AI412FMW3	.3 Piece Hardline to "F" Male Adaptor - "W" Series	55
AI412FMW3	.3 Piece Hardline to "F" Male Adaptor - "W" Series	55
AI412TRBK	.2 Piece Cable Terminator - "K" Series	49
AI412TRBK3	.2 Piece Cable Terminator - "K" Series	49
AI412TRBK3	.2 Piece Cable Terminator - "K" Series	49
AI412TRBW	.3 Piece Cable Terminator - "W" Series	56
AI440FMWC2	.2 Piece Cable to "F" Male Adaptor - "K" Series	48
AI440FMWMC2	.3 Piece Hardline to "F" Male Adaptor - "W" Series	55
AI440TRBMC2	.2 Piece Cable Terminator - "K" Series	49
AI440TRBWMWC2	.3 Piece Cable Terminator - "W" Series	56
AI500FMK	.2 Piece Cable to "F" Male Adaptor - "K" Series	48
AI500FMK3	.2 Piece Cable to "F" Male Adaptor - "K" Series	48
AI500FMK3	.2 Piece Cable to "F" Male Adaptor - "K" Series	48
AI500FMWC2	.2 Piece Cable to "F" Male Adaptor - "K" Series	48
AI500FMQR	.2 Piece Cable to "F" Male Adaptor - "K" Series	48
AI500FMW3	.3 Piece Hardline to "F" Male Adaptor - "W" Series	55
AI500FMW3	.3 Piece Hardline to "F" Male Adaptor - "W" Series	55
AI500FMWMC2	.3 Piece Hardline to "F" Male Adaptor - "W" Series	55
AI500TRBK	.2 Piece Cable Terminator - "K" Series	49
AI500TRBK3	.2 Piece Cable Terminator - "K" Series	49
AI500TRBK3	.2 Piece Cable Terminator - "K" Series	49
AI500TRBMC2	.2 Piece Cable Terminator - "K" Series	49
AI500TRBQR	.2 Piece Cable Terminator - "K" Series	49
AI500TRBW3	.3 Piece Cable Terminator - "W" Series	56
AI500TRBW3	.3 Piece Cable Terminator - "W" Series	56
AI500TRBWMWC2	.3 Piece Cable Terminator - "W" Series	56
AI540FMQR	.2 Piece Cable to "F" Male Adaptor - "K" Series	48
AI540FMWQRG	.3 Piece Hardline to "F" Male Adaptor - "W" Series	55
AI540TRBQR	.2 Piece Cable Terminator - "K" Series	49
AI540TRBWQRG	.3 Piece Cable Terminator - "W" Series	56
AI565FMTX	.2 Piece Cable to "F" Male Adaptor - "K" Series	48
AI565FMWTX	.3 Piece Hardline to "F" Male Adaptor - "W" Series	55
AI565TRBTX	.2 Piece Cable Terminator - "K" Series	49
AI565TRBWTX	.3 Piece Cable Terminator - "W" Series	56
AI625FMK3	.2 Piece Cable to "F" Male Adaptor - "K" Series	48
AI625FMK3	.2 Piece Cable to "F" Male Adaptor - "K" Series	48
AI625FMW3	.3 Piece Hardline to "F" Male Adaptor - "W" Series	55
AI625FMW3	.3 Piece Hardline to "F" Male Adaptor - "W" Series	55
AI625TRBK3	.2 Piece Cable Terminator - "K" Series	49
AI625TRBK3	.2 Piece Cable Terminator - "K" Series	49
AI625TRBW3	.3 Piece Cable Terminator - "W" Series	56
AI625TRBW3	.3 Piece Cable Terminator - "W" Series	56
AI650FMWC2	.2 Piece Cable to "F" Male Adaptor - "K" Series	48
AI650FMWMC2	.3 Piece Hardline to "F" Male Adaptor - "W" Series	55
AI650TRBMC2	.2 Piece Cable Terminator - "K" Series	49
AI650TRBWMWC2	.3 Piece Cable Terminator - "W" Series	56
AI700FMTX	.2 Piece Cable to "F" Male Adaptor - "K" Series	48
AI700FMWTX	.3 Piece Hardline to "F" Male Adaptor - "W" Series	55
AI700TRBTX	.2 Piece Cable Terminator - "K" Series	49
AI700TRBWTX	.3 Piece Cable Terminator - "W" Series	56
AI715FMQR	.2 Piece Cable to "F" Male Adaptor - "K" Series	48
AI715FMWQRG	.3 Piece Hardline to "F" Male Adaptor - "W" Series	55
AI715TRBQR	.2 Piece Cable Terminator - "K" Series	49
AI715TRBWQRG	.3 Piece Cable Terminator - "W" Series	56
AI750FMK	.2 Piece Cable to "F" Male Adaptor - "K" Series	48
AI750FMK3	.2 Piece Cable to "F" Male Adaptor - "K" Series	48



PART NUMBER	DESCRIPTION	PAGE	PART NUMBER	DESCRIPTION	PAGE
AI750FMK3	. . . . .2 Piece Cable to "F" Male Adaptor - "K" Series	48	BAI412FFW3	. . . . .3 Piece Cable to "F" Female Bulkhead Adaptor - "W" Series	54
AI750FMWC2	. . . . .2 Piece Cable to "F" Male Adaptor - "K" Series	48	BAI440FFMC2	. . . . .3 Piece Cable to "F" Female Bulkhead Adaptor - "W" Series	54
AI750FMW3	. . . . .3 Piece Hardline to "F" Male Adaptor - "W" Series	55	BAI500FFMC2	. . . . .3 Piece Cable to "F" Female Bulkhead Adaptor - "W" Series	54
AI750FMW3	. . . . .3 Piece Hardline to "F" Male Adaptor - "W" Series	55	BAI500FFW	. . . . .3 Piece Cable to "F" Female Bulkhead Adaptor - "W" Series	54
AI750FMWMC2	. . . . .3 Piece Hardline to "F" Male Adaptor - "W" Series	55	BAI500FFW2	. . . . .3 Piece Cable to "F" Female Bulkhead Adaptor - "W" Series	54
AI750TRBK	. . . . .2 Piece Cable Terminator - "K" Series	49	BAI500FFW3	. . . . .3 Piece Cable to "F" Female Bulkhead Adaptor - "W" Series	54
AI750TRBK3	. . . . .2 Piece Cable Terminator - "K" Series	49	BAI500FFW3	. . . . .3 Piece Cable to "F" Female Bulkhead Adaptor - "W" Series	54
AI750TRBK3	. . . . .2 Piece Cable Terminator - "K" Series	49	BAI540FFQRG	. . . . .3 Piece Cable to "F" Female Bulkhead Adaptor - "W" Series	54
AI750TRBMC2	. . . . .2 Piece Cable Terminator - "K" Series	49	BAI565FFTX	. . . . .3 Piece Cable to "F" Female Bulkhead Adaptor - "W" Series	54
AI750TRBW	. . . . .3 Piece Cable Terminator - "W" Series	56	BAI625FFW3	. . . . .3 Piece Cable to "F" Female Bulkhead Adaptor - "W" Series	54
AI750TRBW3	. . . . .3 Piece Cable Terminator - "W" Series	56	BAI625FFW3	. . . . .3 Piece Cable to "F" Female Bulkhead Adaptor - "W" Series	54
AI750TRBW3	. . . . .3 Piece Cable Terminator - "W" Series	56	BAI650FFMC2	. . . . .3 Piece Cable to "F" Female Bulkhead Adaptor - "W" Series	54
AI750TRBWMC2	. . . . .3 Piece Cable Terminator - "W" Series	56	BAI700FFTX	. . . . .3 Piece Cable to "F" Female Bulkhead Adaptor - "W" Series	54
AI840FMTX	. . . . .2 Piece Cable to "F" Male Adaptor - "K" Series	48	BAI715FFQRG	. . . . .3 Piece Cable to "F" Female Bulkhead Adaptor - "W" Series	54
AI840FMWTX	. . . . .3 Piece Hardline to "F" Male Adaptor - "W" Series	55	BAI750FFMC2	. . . . .3 Piece Cable to "F" Female Bulkhead Adaptor - "W" Series	54
AI840TRBTX	. . . . .2 Piece Cable Terminator - "K" Series	49	BAI750FFW	. . . . .3 Piece Cable to "F" Female Bulkhead Adaptor - "W" Series	54
AI840TRBWTX	. . . . .3 Piece Cable Terminator - "W" Series	56	BAI750FFW2	. . . . .3 Piece Cable to "F" Female Bulkhead Adaptor - "W" Series	54
AI860FMQR	. . . . .2 Piece Cable to "F" Male Adaptor - "K" Series	48	BAI750FFW3	. . . . .3 Piece Cable to "F" Female Bulkhead Adaptor - "W" Series	54
AI860FMWQRG	. . . . .3 Piece Hardline to "F" Male Adaptor - "W" Series	55	BAI750FFW3	. . . . .3 Piece Cable to "F" Female Bulkhead Adaptor - "W" Series	54
AI860TRBQR	. . . . .2 Piece Cable Terminator - "K" Series	49	BAI840FFTX	. . . . .3 Piece Cable to "F" Female Bulkhead Adaptor - "W" Series	54
AI860TRBWMC2	. . . . .3 Piece Cable Terminator - "W" Series	56	BAI860FFQRG	. . . . .3 Piece Cable to "F" Female Bulkhead Adaptor - "W" Series	54
AI875FMK3	. . . . .2 Piece Cable to "F" Male Adaptor - "K" Series	48	BAI875FFW3	. . . . .3 Piece Cable to "F" Female Bulkhead Adaptor - "W" Series	54
AI875FMK3	. . . . .2 Piece Cable to "F" Male Adaptor - "K" Series	48	BAI875FFW3	. . . . .3 Piece Cable to "F" Female Bulkhead Adaptor - "W" Series	54
AI875FMW3	. . . . .3 Piece Hardline to "F" Male Adaptor - "W" Series	55	BI1000FFK3	. . . . .2 Piece Cable to Female Bulkhead Adaptor - "K" Series	47
AI875FMW3	. . . . .3 Piece Hardline to "F" Male Adaptor - "W" Series	55	BI1000FFK3	. . . . .2 Piece Cable to Female Bulkhead Adaptor - "K" Series	47
AI875TRBK3	. . . . .2 Piece Cable Terminator - "K" Series	49	BI1000FFMC2	. . . . .2 Piece Cable to Female Bulkhead Adaptor - "K" Series	47
AI875TRBK3	. . . . .2 Piece Cable Terminator - "K" Series	49	BI1125FFQR	. . . . .2 Piece Cable to Female Bulkhead Adaptor - "K" Series	47
AI875TRBW3	. . . . .3 Piece Cable Terminator - "W" Series	56	BI1160FFTX	. . . . .2 Piece Cable to Female Bulkhead Adaptor - "K" Series	47
AI875TRBW3	. . . . .3 Piece Cable Terminator - "W" Series	56	BI412FFK	. . . . .2 Piece Cable to Female Bulkhead Adaptor - "K" Series	47
AMF11	. . . . .Multi-Fit F Male Connector	18	BI412FFK3	. . . . .2 Piece Cable to Female Bulkhead Adaptor - "K" Series	47
AMF11S	. . . . .Multi-Fit F Male Connector - Weather Resistant	18	BI412FFK3	. . . . .2 Piece Cable to Female Bulkhead Adaptor - "K" Series	47
AMF59	. . . . .Multi-Fit F Male Connector	18	BI440FFMC2	. . . . .2 Piece Cable to Female Bulkhead Adaptor - "K" Series	47
AMF59FF	. . . . .Multi-Fit F Female Connector	19	BI500FFK	. . . . .2 Piece Cable to Female Bulkhead Adaptor - "K" Series	47
AMF59S	. . . . .Multi-Fit F Male Connector - Weather Resistant	18	BI500FFK3	. . . . .2 Piece Cable to Female Bulkhead Adaptor - "K" Series	47
AMF6	. . . . .Multi-Fit F Male Connector	18	BI500FFK3	. . . . .2 Piece Cable to Female Bulkhead Adaptor - "K" Series	47
AMF6FF	. . . . .Multi-Fit F Female Connector	19	BI500FFMC2	. . . . .2 Piece Cable to Female Bulkhead Adaptor - "K" Series	47
AMF6FFS	. . . . .Multi-Fit F Female Connector - Weather Resistant	19	BI500FFQR	. . . . .2 Piece Cable to Female Bulkhead Adaptor - "K" Series	47
AMF6S	. . . . .Multi-Fit F Male Connector - Weather Resistant	18	BI540FFQR	. . . . .2 Piece Cable to Female Bulkhead Adaptor - "K" Series	47
AMF7	. . . . .Multi-Fit F Male Connector	18	BI565FFTX	. . . . .2 Piece Cable to Female Bulkhead Adaptor - "K" Series	47
AMF7S	. . . . .Multi-Fit F Male Connector - Weather Resistant	18	BI625FFK3	. . . . .2 Piece Cable to Female Bulkhead Adaptor - "K" Series	47
AMF9011	. . . . .Multi-Fit Right Angle Connector	20	BI625FFK3	. . . . .2 Piece Cable to Female Bulkhead Adaptor - "K" Series	47
AMF9011S	. . . . .Multi-Fit Right Angle Connector - Weather Resistant	20	BI650FFMC2	. . . . .2 Piece Cable to Female Bulkhead Adaptor - "K" Series	47
AMF906	. . . . .Multi-Fit Right Angle Connector	20	BI700FFTX	. . . . .2 Piece Cable to Female Bulkhead Adaptor - "K" Series	47
AMF906S	. . . . .Multi-Fit Right Angle Connector - Weather Resistant	20	BI715FFQR	. . . . .2 Piece Cable to Female Bulkhead Adaptor - "K" Series	47
AP10FF	. . . . .F Series Attenuator Pads - Female to Female	35	BI750FFK	. . . . .2 Piece Cable to Female Bulkhead Adaptor - "K" Series	47
AP10FM	. . . . .F Series Attenuator Pads - Male to Female	35	BI750FFK3	. . . . .2 Piece Cable to Female Bulkhead Adaptor - "K" Series	47
AP1FF	. . . . .F Series Attenuator Pads - Female to Female	35	BI750FFK3	. . . . .2 Piece Cable to Female Bulkhead Adaptor - "K" Series	47
AP1FM	. . . . .F Series Attenuator Pads - Male to Female	35	BI750FFMC2	. . . . .2 Piece Cable to Female Bulkhead Adaptor - "K" Series	47
AP20FF	. . . . .F Series Attenuator Pads - Female to Female	35	BI840FFTX	. . . . .2 Piece Cable to Female Bulkhead Adaptor - "K" Series	47
AP20FM	. . . . .F Series Attenuator Pads - Male to Female	35	BI860FFQR	. . . . .2 Piece Cable to Female Bulkhead Adaptor - "K" Series	47
AP30FM	. . . . .F Series Attenuator Pads - Male to Female	35	BI875FFK3	. . . . .2 Piece Cable to Female Bulkhead Adaptor - "K" Series	47
AP3FF	. . . . .F Series Attenuator Pads - Female to Female	35	BI875FFK3	. . . . .2 Piece Cable to Female Bulkhead Adaptor - "K" Series	47
AP3FM	. . . . .F Series Attenuator Pads - Male to Female	35	CLF	. . . . .F Series Locking Terminator	32
AP6FF	. . . . .F Series Attenuator Pads - Female to Female	35	CLFA	. . . . .F Series Locking Terminator	32
AP6FM	. . . . .F Series Attenuator Pads - Male to Female	35	CST596	. . . . .Stripping Tool	85
BAFF	. . . . .5/8" - 24 Female to "F" Female Adaptor	76	CST596	. . . . .Stripping Tool	85
BAI1000FFMC2	. . . . .3 Piece Cable to "F" Female Bulkhead Adaptor - "W" Series	54	CST596	. . . . .Stripping Tool	85
BAI1000FFW3	. . . . .3 Piece Cable to "F" Female Bulkhead Adaptor - "W" Series	54	CST596	. . . . .Stripping Tool	85
BAI1000FFW3	. . . . .3 Piece Cable to "F" Female Bulkhead Adaptor - "W" Series	54	CST596	. . . . .Stripping Tool	85
BAI1125FFQRG	. . . . .3 Piece Cable to "F" Female Bulkhead Adaptor - "W" Series	54	CST596711	. . . . .Coax Stripping Tool	83
BAI412FFW	. . . . .3 Piece Cable to "F" Female Bulkhead Adaptor - "W" Series	54	CST596711	. . . . .Coax Stripping Tool	83
BAI412FFW2	. . . . .3 Piece Cable to "F" Female Bulkhead Adaptor - "W" Series	54	CST596711	. . . . .Coax Stripping Tool	83
BAI412FFW3	. . . . .3 Piece Cable to "F" Female Bulkhead Adaptor - "W" Series	54	CST596711	. . . . .Coax Stripping Tool	83

PART NUMBER	DESCRIPTION	PAGE	PART NUMBER	DESCRIPTION	PAGE
CT214	Crimp Tool Non-Ratchet	86	EFI750W3LB	3 Piece Pin Type Extension 3", 6" and 9" - "W" Series	53
CT2460	Ratchet Crimp Tool	86	EFI750WLB	3 Piece Pin Type Extension 3", 6" and 9" - "W" Series	53
CT596	Crimp Tool Non-Ratchet	86	EFI840TX	3 Piece Pin Type Connector - "W" Series	51
CT611QS	Ratchet Crimp Tool	86	EFI840TXLB	3 Piece Pin Type Extension 3", 6" and 9" - "W" Series	53
CTRF	F Series Chain Terminator	31	EFI860QRG	3 Piece Pin Type Connector - "G" Series	51
DGB81	F Series Die Cast Ground Block - Double	34	EFI875W3	3 Piece Pin Type Connector - "W" Series	51
DGB81PC	F Series Die Cast Ground Block - Double	34	EFI875W3	3 Piece Pin Type Connector - "W" Series	51
ECR11	.5/8" - 24 Entry Adaptor to 11 Series Crimp On	66	EFI875W3LB	3 Piece Pin Type Extension 3", 6" and 9" - "W" Series	53
EDC59F	EDC (IEC) Female Connector	36	EFI875W3LB	3 Piece Pin Type Extension 3", 6" and 9" - "W" Series	53
EDC59M	EDC (IEC) Male Connector	36	EI1000K3	2 Piece Pin Connector - "K" Series	44
EDC6F	EDC (IEC) Female Connector	36	EI1000K3	2 Piece Pin Connector - "K" Series	44
EDC6M	EDC (IEC) Male Connector	36	EI1000K3LB	2 Piece Pin Type Extension 3", 6" or 9" - "K" Series	46
EFI1000MC2	3 Piece Pin Type Connector - "W" Series	51	EI1000K3LB	2 Piece Pin Type Extension 3", 6" or 9" - "K" Series	46
EFI1000MC2LB	3 Piece Pin Type Extension 3", 6" and 9" - "W" Series	53	EI1000MC2	2 Piece Pin Connector - "K" Series	44
EFI1000W	3 Piece Pin Type Connector - "W" Series	51	EI1000MC2LB	2 Piece Pin Type Extension 3", 6" or 9" - "K" Series	46
EFI1000W2	3 Piece Pin Type Connector - "W" Series	51	EI1125QR	2 Piece Pin Connector - "K" Series	44
EFI1000W3	3 Piece Pin Type Connector - "W" Series	51	EI1125QRLB	2 Piece Pin Type Extension 3", 6" or 9" - "K" Series	46
EFI1000W3	3 Piece Pin Type Connector - "W" Series	51	EI1160TX	2 Piece Pin Connector - "K" Series	44
EFI1000W3LB	3 Piece Pin Type Extension 3", 6" and 9" - "W" Series	53	EI1160TXLB	2 Piece Pin Type Extension 3", 6" or 9" - "K" Series	46
EFI1000W3LB	3 Piece Pin Type Extension 3", 6" and 9" - "W" Series	53	EI412K	2 Piece Pin Connector - "K" Series	44
EFI1125QRG	3 Piece Pin Type Connector - "G" Series	51	EI412K3	2 Piece Pin Connector - "K" Series	44
EFI412W	3 Piece Pin Type Connector - "W" Series	51	EI412K3	2 Piece Pin Connector - "K" Series	44
EFI412W2	3 Piece Pin Type Connector - "W" Series	51	EI412K3LB	2 Piece Pin Type Extension 3", 6" or 9" - "K" Series	46
EFI412W2LB	3 Piece Pin Type Extension 3", 6" and 9" - "W" Series	53	EI412K3LB	2 Piece Pin Type Extension 3", 6" or 9" - "K" Series	46
EFI412W3	3 Piece Pin Type Connector - "W" Series	51	EI412KLB	2 Piece Pin Type Extension 3", 6" or 9" - "K" Series	46
EFI412W3	3 Piece Pin Type Connector - "W" Series	51	EI440MC2	2 Piece Pin Connector - "K" Series	44
EFI412W3LB	3 Piece Pin Type Extension 3", 6" and 9" - "W" Series	53	EI440MC2LB	2 Piece Pin Type Extension 3", 6" or 9" - "K" Series	46
EFI412W3LB	3 Piece Pin Type Extension 3", 6" and 9" - "W" Series	53	EI500K	2 Piece Pin Connector - "K" Series	44
EFI412WLB	3 Piece Pin Type Extension 3", 6" and 9" - "W" Series	53	EI500K3	2 Piece Pin Connector - "K" Series	44
EFI440MC2	3 Piece Pin Type Connector - "W" Series	51	EI500K3	2 Piece Pin Connector - "K" Series	44
EFI440MC2LB	3 Piece Pin Type Extension 3", 6" and 9" - "W" Series	53	EI500K3LB	2 Piece Pin Type Extension 3", 6" or 9" - "K" Series	46
EFI500MC2	3 Piece Pin Type Connector - "W" Series	51	EI500K3LB	2 Piece Pin Type Extension 3", 6" or 9" - "K" Series	46
EFI500MC2LB	3 Piece Pin Type Extension 3", 6" and 9" - "W" Series	53	EI500KLB	2 Piece Pin Type Extension 3", 6" or 9" - "K" Series	46
EFI500W	3 Piece Pin Type Connector - "W" Series	51	EI500MC2	2 Piece Pin Connector - "K" Series	44
EFI500W2	3 Piece Pin Type Connector - "W" Series	51	EI500MC2LB	2 Piece Pin Type Extension 3", 6" or 9" - "K" Series	46
EFI500W2LB	3 Piece Pin Type Extension 3", 6" and 9" - "W" Series	53	EI500QR	2 Piece Pin Connector - "K" Series	44
EFI500W3	3 Piece Pin Type Connector - "W" Series	51	EI500QRLB	2 Piece Pin Type Extension 3", 6" or 9" - "K" Series	46
EFI500W3	3 Piece Pin Type Connector - "W" Series	51	EI540QR	2 Piece Pin Connector - "K" Series	44
EFI500W3LB	3 Piece Pin Type Extension 3", 6" and 9" - "W" Series	53	EI540QRLB	2 Piece Pin Type Extension 3", 6" or 9" - "K" Series	46
EFI500W3LB	3 Piece Pin Type Extension 3", 6" and 9" - "W" Series	53	EI565TX	2 Piece Pin Connector - "K" Series	44
EFI500WLB	3 Piece Pin Type Extension 3", 6" and 9" - "W" Series	53	EI565TXLB	2 Piece Pin Type Extension 3", 6" or 9" - "K" Series	46
EFI540QRG	3 Piece Pin Type Connector - "G" Series	51	EI625K3	2 Piece Pin Connector - "K" Series	44
EFI565TX	3 Piece Pin Type Connector - "W" Series	51	EI625K3	2 Piece Pin Connector - "K" Series	44
EFI565TXLB	3 Piece Pin Type Extension 3", 6" and 9" - "W" Series	53	EI625K3LB	2 Piece Pin Type Extension 3", 6" or 9" - "K" Series	46
EFI625PF	3 Piece 20 Ohm Power Connector - Pin Type	57	EI625K3LB	2 Piece Pin Type Extension 3", 6" or 9" - "K" Series	46
EFI625PF	3 Piece 20 Ohm Power Connector - Pin Type	57	EI650MC2	2 Piece Pin Connector - "K" Series	44
EFI625W3	3 Piece Pin Type Connector - "W" Series	51	EI650MC2LB	2 Piece Pin Type Extension 3", 6" or 9" - "K" Series	46
EFI625W3	3 Piece Pin Type Connector - "W" Series	51	EI700TX	2 Piece Pin Connector - "K" Series	44
EFI625W3LB	3 Piece Pin Type Extension 3", 6" and 9" - "W" Series	53	EI700TXLB	2 Piece Pin Type Extension 3", 6" or 9" - "K" Series	46
EFI625W3LB	3 Piece Pin Type Extension 3", 6" and 9" - "W" Series	53	EI715QR	2 Piece Pin Connector - "K" Series	44
EFI650MC2	3 Piece Pin Type Connector - "W" Series	51	EI715QRLB	2 Piece Pin Type Extension 3", 6" or 9" - "K" Series	46
EFI650MC2LB	3 Piece Pin Type Extension 3", 6" and 9" - "W" Series	53	EI750K	2 Piece Pin Connector - "K" Series	44
EFI700TX	3 Piece Pin Type Connector - "W" Series	51	EI750K3	2 Piece Pin Connector - "K" Series	44
EFI700TXLB	3 Piece Pin Type Extension 3", 6" and 9" - "W" Series	53	EI750K3	2 Piece Pin Connector - "K" Series	44
EFI715QRG	3 Piece Pin Type Connector - "G" Series	51	EI750K3LB	2 Piece Pin Type Extension 3", 6" or 9" - "K" Series	46
EFI750MC2	3 Piece Pin Type Connector - "W" Series	51	EI750K3LB	2 Piece Pin Type Extension 3", 6" or 9" - "K" Series	46
EFI750MC2LB	3 Piece Pin Type Extension 3", 6" and 9" - "W" Series	53	EI750KLB	2 Piece Pin Type Extension 3", 6" or 9" - "K" Series	46
EFI750W	3 Piece Pin Type Connector - "W" Series	51	EI750MC2	2 Piece Pin Connector - "K" Series	44
EFI750W2	3 Piece Pin Type Connector - "W" Series	51	EI750MC2LB	2 Piece Pin Type Extension 3", 6" or 9" - "K" Series	46
EFI750W2LB	3 Piece Pin Type Extension 3", 6" and 9" - "W" Series	53	EI840TX	2 Piece Pin Connector - "K" Series	44
EFI750W3	3 Piece Pin Type Connector - "W" Series	51	EI840TXLB	2 Piece Pin Type Extension 3", 6" or 9" - "K" Series	46
EFI750W3	3 Piece Pin Type Connector - "W" Series	51	EI860QR	2 Piece Pin Connector - "K" Series	44
EFI750W3LB	3 Piece Pin Type Extension 3", 6" and 9" - "W" Series	53	EI860QRLB	2 Piece Pin Type Extension 3", 6" or 9" - "K" Series	46

PART NUMBER	DESCRIPTION	PAGE	PART NUMBER	DESCRIPTION	PAGE
EI875K3	.2 Piece Pin Connector - "K" Series	44	F625BE	.5/8" - 24 Entry to "F" Female Adaptor (AC Block)	66
EI875K3	.2 Piece Pin Connector - "K" Series	44	F625E	.5/8" - 24 Entry to "F" Female Adaptor	66
EI875K3LB	.2 Piece Pin Type Extension 3", 6" or 9" - "K" Series	46	F71-LRC	.F Series Male Splice Connector	26
EI875K3LB	.2 Piece Pin Type Extension 3", 6" or 9" - "K" Series	46	F7CH	.Hex Crimp F Male Connector - One Piece	22
EMI11	.5/8" - 24 Entry, Feed Thru Connector, 11 Series	66	F7QS	.Hex Crimp F Male Connector - One Piece	22
EMI412P1	.Feed Thru Entry Connector	60	F81	.F Female Splice Drop Connector	24
EMI412P3	.Feed Thru Entry Connector	60	F81BE	.F Female Splice Drop Connector	24
EMI412P3	.Feed Thru Entry Connector	60	F81D	.F Female Splice Drop Connector	24
EMI440MC2	.Feed Thru Entry Connector	60	F81DF	.F Female Splice Drop Connector	24
EMI500MC2	.Feed Thru Entry Connector	60	F81HDW	.F Female Splice Drop Connector	24
EMI500P1	.Feed Thru Entry Connector	60	F81LS	.F Female Splice Drop Connector	24
EMI500P3	.Feed Thru Entry Connector	60	F81PM	.F Female Splice Drop Connector	24
EMI500P3	.Feed Thru Entry Connector	60	FCS10S	.F Series Security Shield Slip On	32
EMI500QR	.Feed Thru Entry Connector	60	FCS11S	.F Series Security Shield Slip On	32
EMI540QR	.Feed Thru Entry Connector	60	FCS3S	.F Series Security Shield Slip On	32
EMI625K3	.Feed Thru Entry Connector	60	FCS5T	.F Series Security Shield Threaded	32
EMI625K3	.Feed Thru Entry Connector	60	FCS9S	.F Series Security Shield Slip On	32
EMI650MC2	.Feed Thru Entry Connector	60	FCS9T	.F Series Security Shield Threaded	32
ETE625	.Entry To Entry Adaptor	65	FCSNS	.Security Shield - Snap-N-Seal	16
ETE625LR	.Entry to Entry Adaptor - Locking Rotational	65	FCSNS11	.Security Shield - Snap-N-Seal	16
ETE625R	.Entry to Entry Adaptor - Rotational	65	FF90FF	.F Series Right Angle Adaptor Female	26
ETE625R3	.Entry to Entry Adaptor - Rotational	65	FF90M	.F Series Right Angle Adaptor Male	26
EU180	.180° Adaptor	70	FT58	.F Male Twist On - Drop Connector	23
EU1803	.180° Adaptor	70	FT5962	.F Male Twist On - Drop Connector	23
EU18045	.180° Adaptor	70	FT5962	.F Male Twist On - Drop Connector	23
EU180AS	.Precision, Auto Seize 180° Adaptor	69	FT59QS	.F Male Twist On - Drop Connector	23
EU180AS3	.Precision, Auto Seize 180° Adaptor	69	FT6	.F Male Twist On - Drop Connector	23
EU90	.90° or Right Angle Adaptor	68	FT6QS	.F Male Twist On - Drop Connector	23
EU903	.90° or Right Angle Adaptor	68	GB59QSNS	.Snap-N-Seal Ground Block	13
EU9045	.90° or Right Angle Adaptor	68	GB59QSNSK	.Snap-N-Seal Ground Block - Precision	13
EU906	.90° or Right Angle Adaptor	68	GB59SNS	.Snap-N-Seal Ground Block	13
EU90AS	.Precision, Auto Seize 90° or Right Angle Adaptor	67	GB59SNSK	.Snap-N-Seal Ground Block - Precision	13
EU90R	.Rotational Right Angle Adaptor	68	GB6QSNS	.Snap-N-Seal Ground Block	13
EU90R3	.Rotational Right Angle Adaptor	68	GB6QSNSK	.Snap-N-Seal Ground Block - Precision	13
EXTAS2BP	.By-Pass Port Adaptor	80	GB6SNS	.Snap-N-Seal Ground Block	13
EXTAS3	.Precision, Auto Seize Extension Adaptor, 3"	72	GB6SNSK	.Snap-N-Seal Ground Block - Precision	13
EXTAS6	.Precision, Auto Seize Extension Adaptor, 6"	72	GB81	.F Series Die Cast Ground Block - Single	34
F11DB	.Hex Crimp F Male Connector - One Piece	22	GB81BS	.F Series Ground Block	33
F11QS	.Hex Crimp F Male Connector - One Piece	22	GB81PC	.F Series Die Cast Ground Block - Single	34
F11QST	.Hex Crimp F Male Connector - One Piece	22	GL81	.F Series Female Splice with Ground Lug	33
F304VC	.Hex Crimp F Male Connector	22	GN59AMF	.Multi-Fit Ground Block	19
F550	.Nut	25	GN59AMFS	.Multi-Fit Ground Block - Weather Resistant	19
F555LW	.Lock Washer	25	GN6AMF	.Multi-Fit Ground Block	19
F56CD	.Hex Crimp F Male Connector	22	GN6AMFS	.Multi-Fit Ground Block - Weather Resistant	19
F56CH	.Hex Crimp F Male Connector	22	HCT211	.Crimp Tool Non-Ratchet	86
F56CHI	.Hex Crimp F Male Connector	22	HCT660	.Crimp Tool Non-Ratchet	86
F56QS	.Hex Crimp F Male Connector	22	HCT6QS	.Crimp Tool Non-Ratchet	86
F59CD	.Hex Crimp F Male Connector	22	HSB	.Housing Splice Block	71
F59CDB	.Hex Crimp F Male Connector	22	HSBGD	.Housing Splice Block, Grounding Lug Feature	71
F59CH	.Hex Crimp F Male Connector	22	IT1000	.Stripping Tool	84
F59CHI	.Hex Crimp F Male Connector	22	IT1000	.Stripping Tool	84
F59HB	.Hex Crimp F Male Connector	22	IT1000	.Stripping Tool	84
F59HEC	.Hex Crimp F Male Connector	22	IT1000	.Stripping Tool	84
F59QS	.Hex Crimp F Male Connector	22	IT1000	.Stripping Tool	84
F60CH	.Hex Crimp F Male Connector	22	IT10002	.Replacement Cartridge - IT1000 Tool	84
F61	.F Series Female Chasis Adaptor	28	IT10002	.Replacement Cartridge - IT1000 Tool	84
F611CHP	.Hex Crimp F Male Connector - One Piece	22	IT10002	.Replacement Cartridge - IT1000 Tool	84
F611QSP	.Hex Crimp F Male Connector - One Piece	22	IT10002	.Replacement Cartridge - IT1000 Tool	84
F61L	.F Series Female Chasis Adaptor	28	IT10002	.Replacement Cartridge - IT1000 Tool	84
F61PC	.F Series Printed Circuit Connector	30	J11KSMF100	.Male to Female Flexible Cable Adaptor	81
F61PF	.F Series Female Chasis Adaptor - Push On	29	J11KSMF140	.Male to Female Flexible Cable Adaptor	81
F61PM	.F Series Male Chasis Connector - Push On	29	J11KSMF15	.Male to Female Flexible Cable Adaptor	81
F61SL	.F Series Female Chasis Adaptor	28	J11KSMF160	.Male to Female Flexible Cable Adaptor	81

PART NUMBER	DESCRIPTION	PAGE	PART NUMBER	DESCRIPTION	PAGE
J11KSMF1800	.Male to Female Flexible Cable Adaptor	81	PL56QS	.Hex Crimp F Male Connector - Plenum	23
J11KSMF220	.Male to Female Flexible Cable Adaptor	81	PL59CD	.Hex Crimp F Male Connector - Plenum	23
J11KSMF25	.Male to Female Flexible Cable Adaptor	81	PL59CH	.Hex Crimp F Male Connector - Plenum	23
J11KSMF30	.Male to Female Flexible Cable Adaptor	81	PL59CS	.Hex Crimp F Male Connector - Plenum	23
J11KSMF360	.Male to Female Flexible Cable Adaptor	81	PL59TQ	.Hex Crimp F Male Connector - Plenum	23
J11KSMF40	.Male to Female Flexible Cable Adaptor	81	RC596	.Replacement Cartridge - Coax Stripping Tool	83
J11KSMF50	.Male to Female Flexible Cable Adaptor	81	RC596	.Replacement Cartridge - Coax Stripping Tool	83
J11KSMF65	.Male to Female Flexible Cable Adaptor	81	RC711	.Replacement Cartridge - Coax Stripping Tool	83
J11KSMF75	.Male to Female Flexible Cable Adaptor	81	RC711	.Replacement Cartridge - Coax Stripping Tool	83
J11KSMF85	.Male to Female Flexible Cable Adaptor	81	RM596	.Replacement Module - CST596 Stripping Tool	85
J11KSMM100	.Male to Male Flexible Cable Adaptor	81	RM596	.Replacement Module - CST596 Stripping Tool	85
J11KSMM140	.Male to Male Flexible Cable Adaptor	81	RM596	.Replacement Module - CST596 Stripping Tool	85
J11KSMM15	.Male to Male Flexible Cable Adaptor	81	RM596	.Replacement Module - CST596 Stripping Tool	85
J11KSMM160	.Male to Male Flexible Cable Adaptor	81	RM596	.Replacement Module - CST596 Stripping Tool	85
J11KSMM1800	.Male to Male Flexible Cable Adaptor	81	SF1000MC2	.3 Piece Splice Connector - "W" Series	52
J11KSMM220	.Male to Male Flexible Cable Adaptor	81	SF1000W	.3 Piece Splice Connector - "W" Series	52
J11KSMM25	.Male to Male Flexible Cable Adaptor	81	SF1000W3	.3 Piece Splice Connector - "W" Series	52
J11KSMM30	.Male to Male Flexible Cable Adaptor	81	SF1000W3	.3 Piece Splice Connector - "W" Series	52
J11KSMM360	.Male to Male Flexible Cable Adaptor	81	SF1125QRG	.3 Piece Splice Connector - "G" Series	52
J11KSMM40	.Male to Male Flexible Cable Adaptor	81	SF1412W	.3 Piece Splice Connector - "W" Series	52
J11KSMM50	.Male to Male Flexible Cable Adaptor	81	SF1412W2	.3 Piece Splice Connector - "W" Series	52
J11KSMM65	.Male to Male Flexible Cable Adaptor	81	SF1412W3	.3 Piece Splice Connector - "W" Series	52
J11KSMM75	.Male to Male Flexible Cable Adaptor	81	SF1412W3	.3 Piece Splice Connector - "W" Series	52
J11KSMM85	.Male to Male Flexible Cable Adaptor	81	SF1440MC2	.3 Piece Splice Connector - "W" Series	52
KF61	.F Series Female Chasis Adaptor - Precision	28	SF1500MC2	.3 Piece Splice Connector - "W" Series	52
KF625E	.5/8" - 24 Entry to "F" Female Adaptor (1 GHz)	66	SF1500W	.3 Piece Splice Connector - "W" Series	52
KF81D	.F Female Splice Drop Connector	24	SF1500W2	.3 Piece Splice Connector - "W" Series	52
KF81DI	.F Female Splice Drop Connector	24	SF1500W3	.3 Piece Splice Connector - "W" Series	52
KF81PM	.F Female Splice Drop Connector	24	SF1500W3	.3 Piece Splice Connector - "W" Series	52
KF81PMI	.F Female Splice Drop Connector	24	SF1540QRG	.3 Piece Splice Connector - "G" Series	52
KS625	.5/8" - 24 Adaptor	79	SF1565TX	.3 Piece Splice Connector - "W" Series	52
KSFAS	.5/8" - 24 Female to Female Adaptor, Auto Seize	75	SF1625PF	.3 Piece 20 Ohm Power Splice Connector	58
KSMASR	.5/8" - 24 Male to Female Adaptor, Rotational	77	SF1625W3	.3 Piece Splice Connector - "W" Series	52
KSMASRC	.5/8" - 24 Male to Female Adaptor, Rotational	77	SF1625W3	.3 Piece Splice Connector - "W" Series	52
L3011B	.Installation Tool	84	SF1650MC2	.3 Piece Splice Connector - "W" Series	52
L3011B	.Installation Tool	85	SF1700TX	.3 Piece Splice Connector - "W" Series	52
L3011B	.Installation Tool	85	SF1715QRG	.3 Piece Splice Connector - "G" Series	52
L3011B	.Installation Tool	85	SF1750MC2	.3 Piece Splice Connector - "W" Series	52
L3011B	.Installation Tool	85	SF1750W	.3 Piece Splice Connector - "W" Series	52
LTF	.Locking Terminator Tool	86	SF1750W2	.3 Piece Splice Connector - "W" Series	52
NF75PM	.N Female Panel Mount	39	SF1750W3	.3 Piece Splice Connector - "W" Series	52
NM213	.N Series Male Crimp On Connector	38	SF1750W3	.3 Piece Splice Connector - "W" Series	52
NM214	.N Series Male Crimp On Connector	38	SF1840TX	.3 Piece Splice Connector - "W" Series	52
NM8HB10	.N Series Male Crimp On Connector	38	SF1860QRG	.3 Piece Splice Connector - "G" Series	52
NMFF	.N Male to F Female Connector	38	SF1875W3	.3 Piece Splice Connector - "W" Series	52
NS500	.Nut Seal	16	SF1875W3	.3 Piece Splice Connector - "W" Series	52
NS500	.Nut Seal	16	SI1000K3	.2 Piece Splice Connector - "K" Series	45
NS500	.Nut Seal	16	SI1000K3	.2 Piece Splice Connector - "K" Series	45
NS625	.Nut Seal	16	SI1000MC2	.2 Piece Splice Connector - "K" Series	45
NS625	.Nut Seal	16	SI1125QR	.2 Piece Splice Connector - "K" Series	45
NS625	.Nut Seal	16	SI1160TX	.2 Piece Splice Connector - "K" Series	45
NS625	.Nut Seal	16	SI412K	.2 Piece Splice Connector - "K" Series	45
PC90481	.F Series Printed Circuit Connector - Right Angle Push On	30	SI412K3	.2 Piece Splice Connector - "K" Series	45
PCB90FF	.F Series Printed Circuit Connector - Right Angle	30	SI412K3	.2 Piece Splice Connector - "K" Series	45
PF59	.F Series Connector - Push On	27	SI440MC2	.2 Piece Splice Connector - "K" Series	45
PF59S	.F Series Quick Disconnect	27	SI500K	.2 Piece Splice Connector - "K" Series	45
PF59SCR316	.F Series Quick Disconnect	27	SI500K3	.2 Piece Splice Connector - "K" Series	45
PL11CS	.Hex Crimp F Male Connector - Plenum	23	SI500K3	.2 Piece Splice Connector - "K" Series	45
PL11QS	.Hex Crimp F Male Connector - Plenum	23	SI500MC2	.2 Piece Splice Connector - "K" Series	45
PL120HB	.Hex Crimp F Male Connector - Plenum	23	SI500QR	.2 Piece Splice Connector - "K" Series	45
PL56CH	.Hex Crimp F Male Connector - Plenum	23	SI540QR	.2 Piece Splice Connector - "K" Series	45
PL56CH	.Hex Crimp F Male Connector - Plenum	23	SI565TX	.2 Piece Splice Connector - "K" Series	45
PL56CS	.Hex Crimp F Male Connector - Plenum	23	SI625K3	.2 Piece Splice Connector - "K" Series	45

PART NUMBER	DESCRIPTION	PAGE	PART NUMBER	DESCRIPTION	PAGE
SI625K3	2 Piece Splice Connector - "K" Series	45	SNS6TP275	Snap-N-Seal Two Piece Drop Connector	7
SI650MC2	2 Piece Splice Connector - "K" Series	45	SNS6TP450	Snap-N-Seal Two Piece Drop Connector	7
SI700TX	2 Piece Splice Connector - "K" Series	45	SNS7B	Snap-N-Seal Two Piece Drop Connector	8
SI715QR	2 Piece Splice Connector - "K" Series	45	SNS7BNS	Snap-N-Seal Two Piece Drop Connector	8
SI750K	2 Piece Splice Connector - "K" Series	45	SNS7BQ	Snap-N-Seal Two Piece Drop Connector	8
SI750K3	2 Piece Splice Connector - "K" Series	45	SNS7BQNS	Snap-N-Seal Two Piece Drop Connector	8
SI750K3	2 Piece Splice Connector - "K" Series	45	SNS7BQTP275	Snap-N-Seal Two Piece Drop Connector	8
SI750MC2	2 Piece Splice Connector - "K" Series	45	SNS7BQTP450	Snap-N-Seal Two Piece Drop Connector	8
SI840TX	2 Piece Splice Connector - "K" Series	45	SNS7BTP275	Snap-N-Seal Two Piece Drop Connector	8
SI860QR	2 Piece Splice Connector - "K" Series	45	SNS7BTP450	Snap-N-Seal Two Piece Drop Connector	8
SI875K3	2 Piece Splice Connector - "K" Series	45	SNS8159AS	Snap-N-Seal Two Piece Splice - Auto-Seize	12
SI875K3	2 Piece Splice Connector - "K" Series	45	SNS816AS	Snap-N-Seal Two Piece Splice - Auto-Seize	12
SNS11AS	Snap-N-Seal Two Piece Drop Connector	8	SNSIT	Ratchet Installation Tool	84
SNS11ASNS	Snap-N-Seal Two Piece Drop Connector	8	SNSIT	Ratchet Installation Tool	84
SNS11ASTP275	Snap-N-Seal Two Piece Drop Connector	8	SNSIT	Ratchet Installation Tool	84
SNS11ASTP450	Snap-N-Seal Two Piece Drop Connector	8	SNSIT	Ratchet Installation Tool	84
SNS1P59	Snap-N-Seal One Piece Drop Connector	6	SNSIT	Ratchet Installation Tool	84
SNS1P59HEC	Snap-N-Seal One Piece Drop Connector	6	SNSUTL	Non-Ratchet Installation Tool	84
SNS1P59QS	Snap-N-Seal One Piece Drop Connector	6	SNSUTL	Non-Ratchet Installation Tool	84
SNS1P6	Snap-N-Seal One Piece Drop Connector	6	SNSUTL	Non-Ratchet Installation Tool	84
SNS1P6QS	Snap-N-Seal One Piece Drop Connector	6	SNSUTL	Non-Ratchet Installation Tool	84
SNS1P6RMBK	Snap-N-Seal One Piece Connector - RCA Type	10	SNSUTL	Non-Ratchet Installation Tool	84
SNS1P6RMBL	Snap-N-Seal One Piece Connector - RCA Type	10	SST11	Security Shield Tool	87
SNS1P6RMG	Snap-N-Seal One Piece Connector - RCA Type	10	SST5910	Security Shield Tool	87
SNS1P6RMR	Snap-N-Seal One Piece Connector - RCA Type	10	SST59U	Security Shield Tool	87
SNS1P6RMW	Snap-N-Seal One Piece Connector - RCA Type	10	SSTSNS	Security Shield Tool	87
SNS1P6RMY	Snap-N-Seal One Piece Connector - RCA Type	10	SSTSNS	Security Shield Tool	87
SNS320QR	F Connector	59	SSTSNS11	Security Shield Tool	87
SNS375P	Weather Plug	16	SSTSNS11	Security Shield Tool	87
SNS375P	Weather Plug	16	TBF81	Self Terminating Connector F & BNC	37
SNS375P	Weather Plug	16	TF81	Self Terminating Connector F & BNC	37
SNS375P	Weather Plug	16	TF8159CH	Self Terminating Connector	37
SNS375P	Weather Plug	16	TF816CH	Self Terminating Connector	37
SNS375P	Weather Plug	16	TF816QS	Self Terminating Connector	37
SNS375P	Weather Plug	16	TP275	Thread Protector	16
SNS59	Snap-N-Seal Two Piece Drop Connector	7	TP275	Thread Protector	16
SNS59FF	Snap-N-Seal Two Piece Drop Connector - Female	15	TP275	Thread Protector	16
SNS59HEC	Snap-N-Seal Two Piece Drop Connector	7	TP275	Thread Protector	16
SNS59HECBNC	Snap-N-Seal Precision BNC Plug Connectors	14	TP275	Thread Protector	16
SNS59HECBNCB	Snap-N-Seal Precision BNC Plug Connectors	14	TP275	Thread Protector	16
SNS59HECID	Snap-N-Seal Two Piece Drop Connector - Indoor	9	TP275	Thread Protector	16
SNS59HECKF81	Snap-N-Seal Two Piece Drop Connector - Female Precision	15	TP450	Thread Protector	16
SNS59ID	Snap-N-Seal Two Piece Drop Connector - Indoor	9	TP450	Thread Protector	16
SNS59NS	Snap-N-Seal Two Piece Drop Connector	7	TP450	Thread Protector	16
SNS59QS	Snap-N-Seal Two Piece Drop Connector	7	TP450	Thread Protector	16
SNS59QSFF	Snap-N-Seal Two Piece Drop Connector - Female	15	TP450	Thread Protector	16
SNS59QSID	Snap-N-Seal Two Piece Drop Connector - Indoor	9	TP450	Thread Protector	16
SNS59QSNS	Snap-N-Seal Two Piece Drop Connector	7	TP450	Thread Protector	16
SNS59QSTP275	Snap-N-Seal Two Piece Drop Connector	7	TRBF	Terminator	74
SNS59QSTP450	Snap-N-Seal Two Piece Drop Connector	7	TRF	F Series Terminator	31
SNS59TP275	Snap-N-Seal Two Piece Drop Connector	7	TRFD	F Series Terminator	31
SNS59TP450	Snap-N-Seal Two Piece Drop Connector	7	TRFP	F Series Terminator	31
SNS6	Snap-N-Seal Two Piece Drop Connector	7	TRFS	Terminator	74
SNS6FF	Snap-N-Seal Two Piece Drop Connector - Female	15	TRFSM	F Series Security Terminator	31
SNS6ID	Snap-N-Seal Two Piece Drop Connector - Indoor	9	TRFSMP	F Series Security Terminator	31
SNS6KF81	Snap-N-Seal Two Piece Drop Connector - Female Precision	15	TRLF	F Series Locking Terminator	32
SNS6NS	Snap-N-Seal Two Piece Drop Connector	7	TRLFA	F Series Locking Terminator	32
SNS6QS	Snap-N-Seal Two Piece Drop Connector	7	TSB	Through Splice Block	71
SNS6QSFF	Snap-N-Seal Two Piece Drop Connector - Female	15			
SNS6QSID	Snap-N-Seal Two Piece Drop Connector - Indoor	9			
SNS6QSNS	Snap-N-Seal Two Piece Drop Connector	7			
SNS6QSTP275	Snap-N-Seal Two Piece Drop Connector	7			
SNS6QSTP450	Snap-N-Seal Two Piece Drop Connector	7			