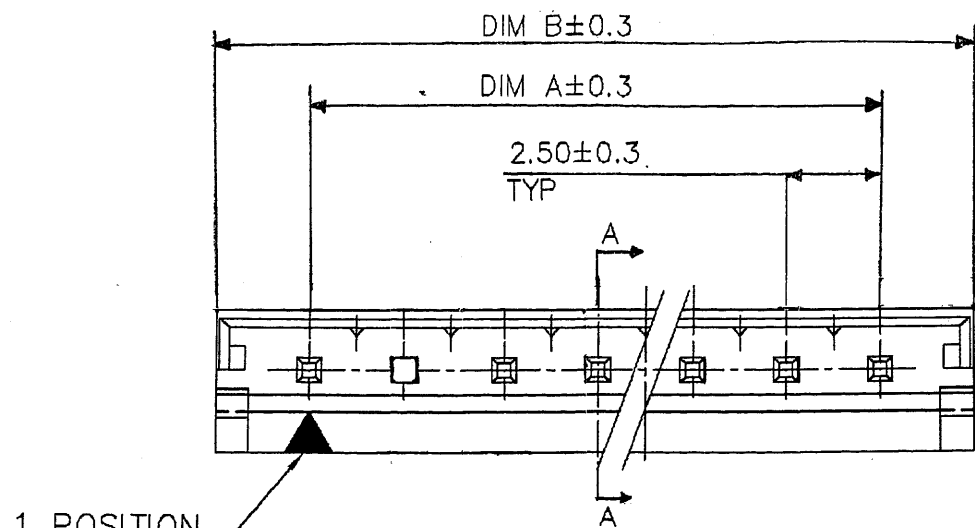
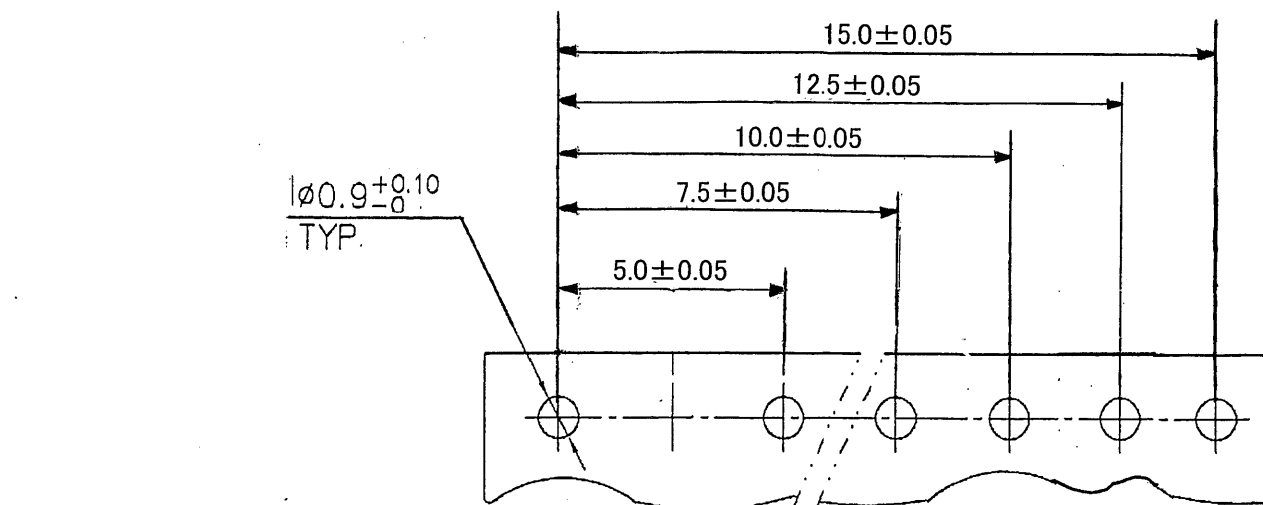
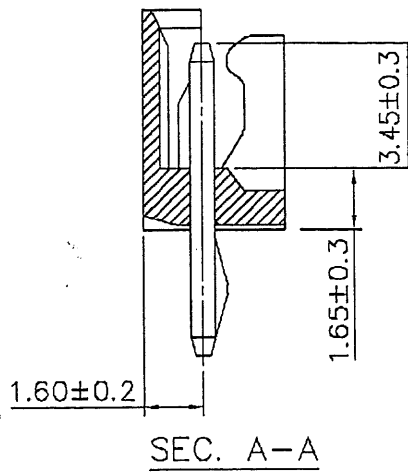
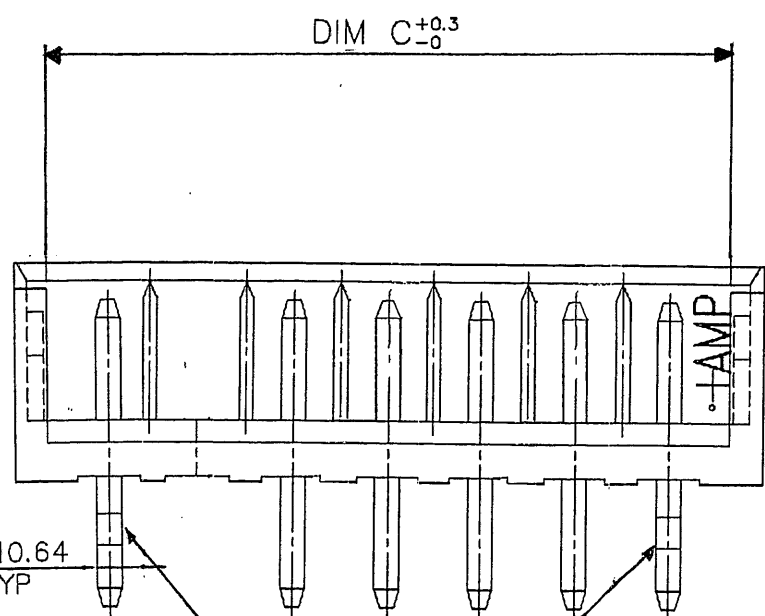


LOC		DIST		REVISIONS			
P	LTR	DESCRIPTION		DATE	DWN	APVD	
	O	作成 (RELEASED) FJD0-0139-03		28APR03	N.Y	M.S	



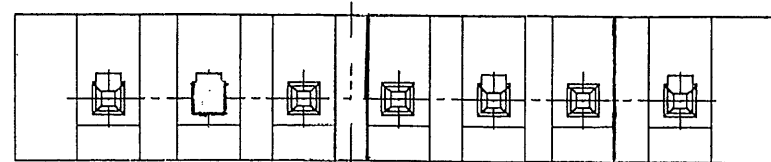
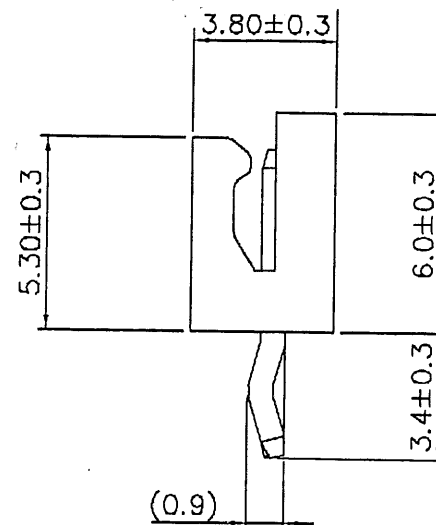
1 POSITION



RECOMMENDED PCB LAYOUT  
(PCB THK=1.0~1.6)

NOTE:

- MATERIAL :  
HOUSING : THERMOPLASTIC UL94V-0,  
COLOR: SEE TABLE.  
CONTACT : BRASS.
- FINISH:  
CONTACT : TIN PLATED ON CONTACT



19.2	20.0	15.0	6	NATUTRAL	1-1565715-9
DIM C	DIM B	DIM A	POS	COLOR	PART NUMBER

THIS DRAWING IS A CONTROLLED DOCUMENT.		DWN N·YAMASAKI 28APR'03	<b>tyco</b> Tyco Electronics AMP K.K.		
DIMENSIONS: 単位: 英 INCHES		CHK M·SHINDO 28APR'03	<b>Electronics</b> Kawasaki, Japan		
TOLERANCES UNLESS OTHERWISE SPECIFIED: 一般公差		APVD Y·KASHIWA 28APR'03	NAME 名称 2.5mmPITCH HPI VERTICAL POST HEADER ASSY 6/7 POS		
0 PLC ± 0.5 1 PLC ± 0.3 2 PLC ± 0.2 3 PLC ± 0.15 ANGLES ±		PRODUCT SPEC 製品規格	SIZE	CAGE CODE	DRAWING NO 番号
MATERIAL 材料 SEE NOTE 1		APPLICATION SPEC 取付適用規格	A3	00779	C-1-1565715-9
FINISH 仕上 SEE NOTE 2		WEIGHT	RESTRICTED TO		
		CUSTOMER DRAWING	SCALE 尺度	SHEET 1 OF 1	REV 0