



## Table of Contents

|  |          |  |           |
|--|----------|--|-----------|
| <b>1 Features</b> .....                          | <b>1</b> | 8.4 Device Functional Modes.....                     | <b>9</b>  |
| <b>2 Applications</b> .....                      | <b>1</b> | <b>9 Application and Implementation</b> .....        | <b>10</b> |
| <b>3 Description</b> .....                       | <b>1</b> | 9.1 Application Information.....                     | <b>10</b> |
| <b>4 Revision History</b> .....                  | <b>2</b> | 9.2 Typical Application .....                        | <b>10</b> |
| <b>5 Pin Configuration and Functions</b> .....   | <b>3</b> | 9.3 System Examples .....                            | <b>12</b> |
| <b>6 Specifications</b> .....                    | <b>4</b> | <b>10 Power Supply Recommendations</b> .....         | <b>14</b> |
| 6.1 Absolute Maximum Ratings .....               | <b>4</b> | <b>11 Layout</b> .....                               | <b>14</b> |
| 6.2 ESD Ratings.....                             | <b>4</b> | 11.1 Layout Guidelines .....                         | <b>14</b> |
| 6.3 Recommended Operating Conditions.....        | <b>4</b> | 11.2 Layout Example .....                            | <b>14</b> |
| 6.4 Thermal Information .....                    | <b>5</b> | <b>12 Device and Documentation Support</b> .....     | <b>15</b> |
| 6.5 Electrical Characteristics.....              | <b>5</b> | 12.1 Related Links .....                             | <b>15</b> |
| 6.6 Switching Characteristics .....              | <b>5</b> | 12.2 Receiving Notification of Documentation Updates | <b>15</b> |
| 6.7 Typical Characteristics .....                | <b>6</b> | 12.3 Community Resources.....                        | <b>15</b> |
| <b>7 Parameter Measurement Information</b> ..... | <b>7</b> | 12.4 Trademarks .....                                | <b>15</b> |
| <b>8 Detailed Description</b> .....              | <b>8</b> | 12.5 Electrostatic Discharge Caution.....            | <b>15</b> |
| 8.1 Overview .....                               | <b>8</b> | 12.6 Glossary .....                                  | <b>15</b> |
| 8.2 Functional Block Diagram .....               | <b>8</b> | <b>13 Mechanical, Packaging, and Orderable</b>       | <b>15</b> |
| 8.3 Feature Description.....                     | <b>9</b> | <b>Information</b> .....                             | <b>15</b> |

## 4 Revision History

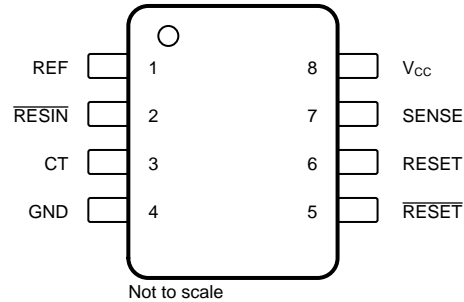
NOTE: Page numbers for previous revisions may differ from page numbers in the current version.

| <b>Changes from Revision J (January 2015) to Revision K</b>                  | <b>Page</b> |
|--|-------------|
| • Added SO (8) to <i>Device Information</i> table.....                       | <b>1</b>    |
| • Changed RESET to $\overline{\text{RESET}}$ in <i>Timing Diagram</i> .....  | <b>6</b>    |
| • Added <i>Receiving Notification of Documentation Updates</i> section ..... | <b>15</b>   |

| <b>Changes from Revision I (July 2009) to Revision J</b>   | <b>Page</b> |
|--|-------------|
| • Added <i>Applications</i> , <i>Device Information</i> table, <i>Pin Functions</i> table, <i>ESD Ratings</i> table, <i>Thermal Information</i> table, <i>Typical Characteristics</i> , <i>Feature Description</i> section, <i>Device Functional Modes</i> , <i>Application and Implementation</i> section, <i>Power Supply Recommendations</i> section, <i>Layout</i> section, <i>Device and Documentation Support</i> section, and <i>Mechanical, Packaging, and Orderable Information</i> section. .... | <b>1</b>    |
| • Deleted <i>Ordering Information</i> table. ....  | <b>1</b>    |

## 5 Pin Configuration and Functions

**TL7702A, TL7709A, TL77012A, TL7715A D or P Package  
TL7705A D, P, or PS Package  
8-Pin SOIC, PDIP, or SO  
Top View**



### Pin Functions

| PIN                       |     | TYPE | DESCRIPTION                               |
|---------------------------|-----|------|---|
| NAME                      | NO. |      |   |
| CT                        | 3   | I/O  | External timing-capacitor pin             |
| GND                       | 4   | —    | Device ground                             |
| REF                       | 1   | O    | Voltage reference output                  |
| RESET                     | 6   | O    | Supervisor reset signal output            |
| $\overline{\text{RESET}}$ | 5   | O    | Supervisor reset signal output (inverted) |
| $\overline{\text{RESIN}}$ | 2   | I    | Reset input                               |
| SENSE                     | 7   | I    | Sense input                               |
| V <sub>CC</sub>           | 8   | —    | Power Supply                              |

## 6 Specifications

### 6.1 Absolute Maximum Ratings

over operating free-air temperature range (unless otherwise noted) <sup>(1)</sup>

|                  |  | MIN                    | MAX  | UNIT |   |
|------------------|--|------------------------|------|------|---|
| V <sub>CC</sub>  | Supply voltage <sup>(2)</sup>  |                        | 20   | V    |   |
| V <sub>I</sub>   | Input voltage, $\overline{\text{RESIN}}$                               | -0.3                   | 20   | V    |   |
| V <sub>I</sub>   | Input voltage range SENSE  | TL7702A <sup>(3)</sup> | -0.3 | 6    | V |
|                  |  | TL7705A                | -0.3 | 20   | V |
|                  |  | TL7709A                | -0.3 | 20   | V |
|                  |  | TL7712A, TL7715A       | -0.3 | 20   | V |
| I <sub>OH</sub>  | High-level output current, I <sub>OH</sub> , $\overline{\text{RESET}}$ |                        | -30  | mA   |   |
| I <sub>OL</sub>  | Low-level output current, I <sub>OL</sub> , $\overline{\text{RESET}}$  |                        | 30   | mA   |   |
| T <sub>J</sub>   | Operating virtual junction temperature                                 |                        | 150  | °C   |   |
| T <sub>stg</sub> | Storage temperature  | -65                    | 150  | °C   |   |

- (1) Stresses beyond those listed under *Absolute Maximum Ratings* may cause permanent damage to the device. These are stress ratings only, which do not imply functional operation of the device at these or any other conditions beyond those indicated under *Recommended Operating Conditions*. Exposure to absolute-maximum-rated conditions for extended periods may affect device reliability.
- (2) For proper operation of the TL7702A, the voltage applied to the SENSE terminal should not exceed V<sub>CC</sub> - 1 V or 6 V, whichever is less.
- (3) All voltage values are with respect to GND.

### 6.2 ESD Ratings

|                    |                         | VALUE  | UNIT |
|--------------------|-------------------------|--|------|
| V <sub>(ESD)</sub> | Electrostatic discharge | Human body model (HBM), per ANSI/ESDA/JEDEC JS-001 <sup>(1)</sup>              | 1000 |
|                    |                         | Charged device model (CDM), per JEDEC specification JESD22-C101 <sup>(2)</sup> | 1000 |

- (1) JEDEC document JEP155 states that 500-V HBM allows safe manufacturing with a standard ESD control process.
- (2) JEDEC document JEP157 states that 250-V CDM allows safe manufacturing with a standard ESD control process.

### 6.3 Recommended Operating Conditions

over operating free-air temperature range (unless otherwise noted)

|                 |   | MIN      | MAX | UNIT               |    |
|-----------------|---|----------|-----|--------------------|----|
| V <sub>CC</sub> | Supply Voltage  | 3.5      | 18  | V                  |    |
| V <sub>IH</sub> | High-level input voltage at $\overline{\text{RESIN}}$ | 2        |     | V                  |    |
| V <sub>IL</sub> | Low-level input voltage at $\overline{\text{RESIN}}$  |          | 0.6 | V                  |    |
| V <sub>I</sub>  | Input voltage, SENSE                                  | TL7702A  | 0   | See <sup>(1)</sup> | V  |
|                 |   | TL7705A  | 0   | 10                 |    |
|                 |   | TL7709A  | 0   | 15                 |    |
|                 |   | TL7712A  | 0   | 20                 |    |
|                 |   | TL7715A  | 0   | 20                 |    |
| I <sub>OH</sub> | High-level output current, $\overline{\text{RESET}}$  |          | -16 | mA                 |    |
| I <sub>OL</sub> | Low-level output current, $\overline{\text{RESET}}$   |          | 16  | mA                 |    |
| T <sub>A</sub>  | Operating free-air temperature                        | TL77xxAC | 0   | 70                 | °C |
|                 |   | TL77xxAI | -40 | 85                 |    |

- (1) For proper operation of the TL7702A, the voltage applied to the SENSE terminal should not exceed V<sub>CC</sub> - 1 V or 6 V, whichever is less.

## 6.4 Thermal Information

| THERMAL METRIC <sup>(1)</sup>                           | TL77xxA |        |        | UNIT |
|---|---------|--------|--------|------|
|   | D       | P      | PS     |      |
|   | 8 PINS  | 8 PINS | 8 PINS |      |
| R <sub>θJA</sub> Junction-to-ambient thermal resistance | 97      | 85     | 95     | °C/W |

(1) For more information about traditional and new thermal metrics, see the [Semiconductor and IC Package Thermal Metrics](#) application report.

## 6.5 Electrical Characteristics

over operating free-air temperature range (unless otherwise noted)

| PARAMETER  | TEST CONDITIONS <sup>(1)</sup> | TL77xxAC<br>TL77xxAI  |      |       | UNIT |
|--|--------------------------------|---|------|-------|------|
|  |                                | MIN   | TYP  | MAX   |      |
| V <sub>OH</sub> High-level output voltage, RESET                         | I <sub>OH</sub> = -16 mA       | V <sub>CC</sub> - 1.5                                       |      |       | V    |
| V <sub>OL</sub> Low-level output voltage, RESET                          | I <sub>OL</sub> = 16 mA        | 0.4   |      |       | V    |
| V <sub>ref</sub> Reference Voltage                                       | T <sub>A</sub> = 25°C          | 2.48  | 2.53 | 2.58  | V    |
| V <sub>IT-</sub> Negative-going input threshold voltage, SENSE           | TL7702A                        | 2.48  | 2.53 | 2.58  | V    |
|  | TL7705A                        | 4.5   | 4.55 | 4.6   |      |
|  | TL7709A                        | 7.5   | 7.6  | 7.7   |      |
|  | TL7712A                        | 10.6  | 10.8 | 11    |      |
|  | TL7715A                        | 13.2  | 13.5 | 13.8  |      |
| V <sub>hys</sub> Hysteresis, SENS (V <sub>IT+</sub> - V <sub>IT-</sub> ) | TL7702A                        | 10  |      |       | mV   |
|  | TL7705A                        | 15  |      |       |      |
|  | TL7709A                        | 20  |      |       |      |
|  | TL7712A                        | 35  |      |       |      |
|  | TL7715A                        | 45  |      |       |      |
| I <sub>i</sub> Input current   | RESIN                          | V <sub>I</sub> = 2.4 V to V <sub>CC</sub>                   |      | 20    | μA   |
|  |                                | V <sub>I</sub> = 0.4 V                                      |      | -100  |      |
|  | SENSE TL7702A                  | V <sub>ref</sub> < V <sub>I</sub> < V <sub>CC</sub> - 1.5 V |      | 0.5 2 |      |
| I <sub>OH</sub> High-level output current, RESET                         | V <sub>O</sub> = 18 V          | 50  |      |       | μA   |
| I <sub>OL</sub> Low-level output current, RESET                          | V <sub>O</sub> = 0             | -50   |      |       | μA   |
| I <sub>CC</sub> Supply current   | All inputs and outputs open    | 1.8   |      | 3     | mA   |

(1) All electrical characteristics are measured with 0.1-μF capacitors connected at REF, CT, and V<sub>CC</sub> to GND.

## 6.6 Switching Characteristics

over operating free-air temperature range (unless otherwise noted)

| PARAMETER   | TEST CONDITIONS <sup>(1)</sup>   | TL77xxAC<br>TL77xxAI                 |     |     | UNIT |    |
|---|--|--------------------------------------|-----|-----|------|----|
|   |  | MIN                                  | TYP | MAX |      |    |
| Output pulse duration   | CT = 0.1 μF  | 0.65                                 | 1.2 | 2.6 | msec |    |
| Input pulse duration at RESIN                                     |  | 0.4                                  |     |     | μs   |    |
| t <sub>w(S)</sub> Pulse duration at sense input to switch outputs | V <sub>IH</sub> = V <sub>IT-</sub> + 200 mV, V <sub>IL</sub> = V <sub>IT-</sub> - 200 mV | 2                                    |     |     | μs   |    |
| t <sub>pd</sub> propagation delay time, RESIN to RESET            | V <sub>CC</sub> = 5V   | 1                                    |     |     | μs   |    |
| t <sub>r</sub> Rise time  | RESET  | V <sub>CC</sub> = 5 V <sup>(2)</sup> |     |     | 0.2  | μs |
|   | RESET  |                                      |     |     | 3.5  |    |
| t <sub>f</sub> Fall time  | RESET  | V <sub>CC</sub> = 5 V <sup>(2)</sup> |     |     | 3.5  | μs |
|   | RESET  |                                      |     |     | 0.2  |    |

(1) All switching characteristics are measured with 0.1-μF capacitors connected at REF and V<sub>CC</sub> to GND.

(2) The rise and fall times are measured with a 4.7-kΩ load resistor at RESET and RESET.

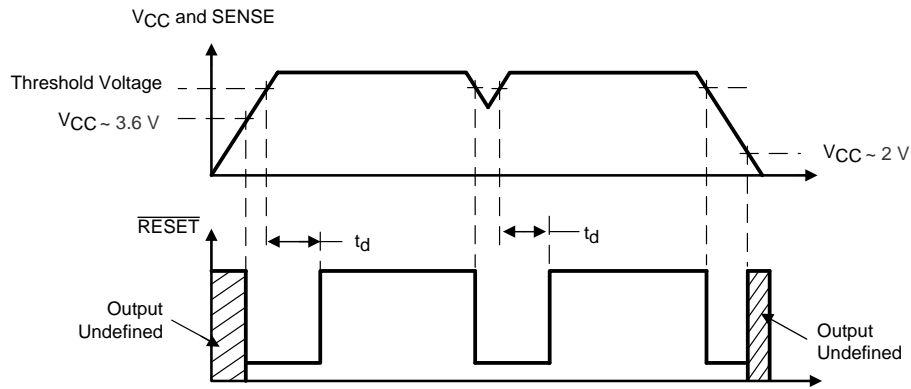


Figure 1. Timing Diagram

### 6.7 Typical Characteristics

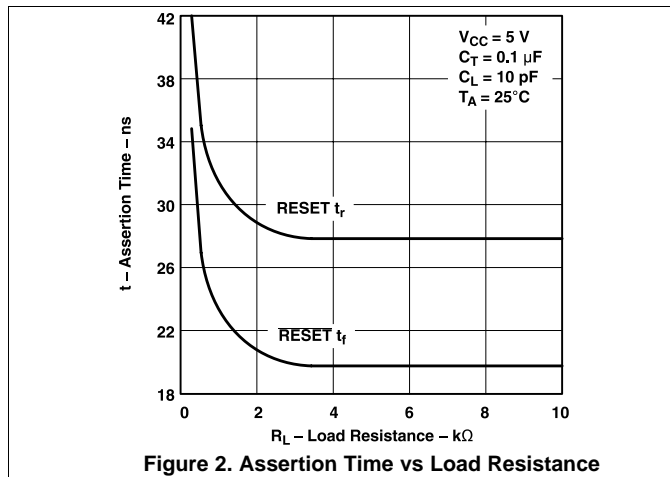


Figure 2. Assertion Time vs Load Resistance

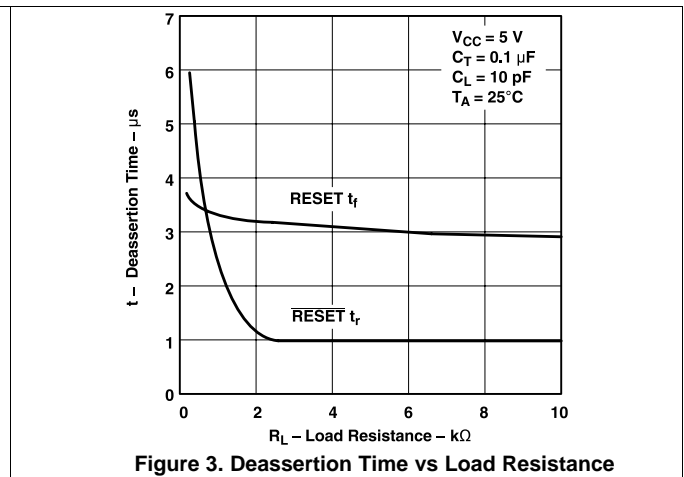


Figure 3. Deassertion Time vs Load Resistance

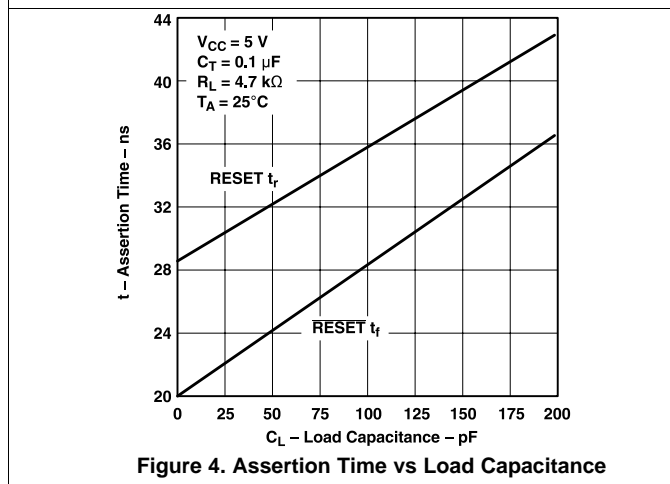


Figure 4. Assertion Time vs Load Capacitance

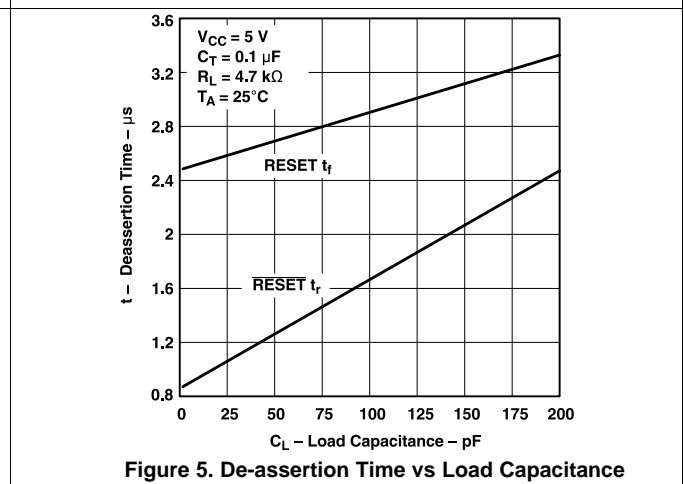


Figure 5. De-assertion Time vs Load Capacitance

## 7 Parameter Measurement Information

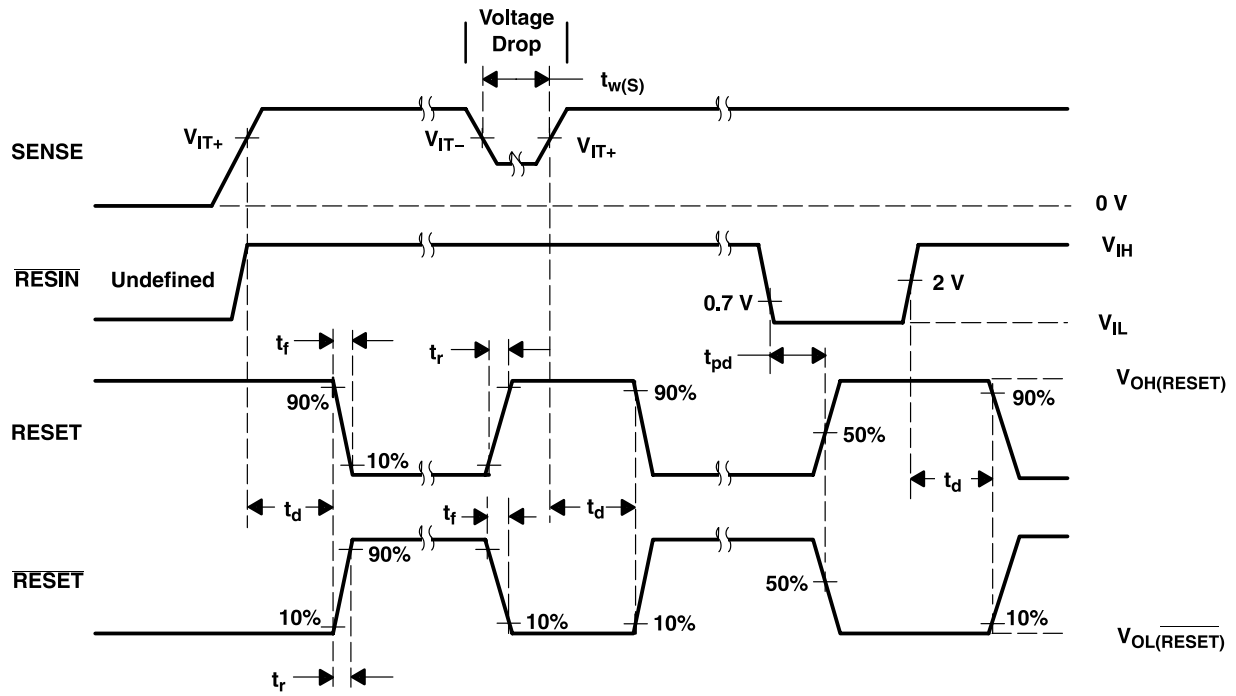


Figure 6. Voltage Waveform

## 8 Detailed Description

### 8.1 Overview

The TL77xxA family of integrated-circuit supply-voltage supervisors is designed specifically for use as reset controllers in microcomputer and microprocessor systems. The supply-voltage supervisor monitors the supply for undervoltage conditions at the SENSE input. During power up, the RESET output becomes active (low) when  $V_{CC}$  attains a value approaching 3.6 V. At this point (assuming that SENSE is above  $V_{IT+}$ ), the delay timer function activates a time delay, after which outputs  $\overline{\text{RESET}}$  and RESET go inactive (high and low, respectively). When an undervoltage condition occurs during normal operation,  $\overline{\text{RESET}}$  and RESET go active. To ensure that a complete reset occurs, the reset outputs remain active for a time delay after the voltage at the SENSE input exceeds the positive-going threshold value.

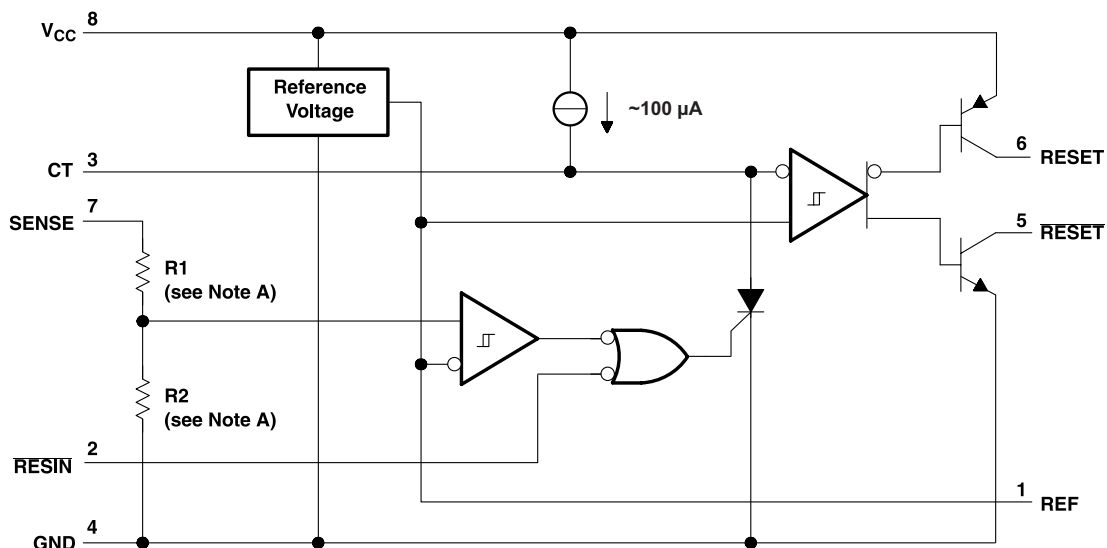
During power down and when SENSE is below  $V_{IT-}$ , the outputs remain active until  $V_{CC}$  falls below 2 V. After this, the outputs are undefined. An external capacitor (typically 0.1  $\mu\text{F}$ ) must be connected to REF to reduce the influence of fast transients in the supply voltage.

Five versions of this circuit are available:

- TL7705A ( $V_t = 4.55 \text{ V}$ ): Application in TTL-systems and microcomputer systems which require a 5 volt supply (for example, TMS7000)
- TL7709A ( $V_t = 7.6 \text{ V}$ ): Application in microcomputer systems using the TMS1XXXNLL
- TL7712A ( $V_t = 10.8 \text{ V}$ ): Application in CMOS, microprocessor, and memory circuits with a 12 volt supply.
- TL7715A ( $V_t = 13.5 \text{ V}$ ): Application in circuits which operate with a supply voltage of 15 V, as is found often in analog circuits.
- TL7702A ( $V_t = 2.5 \text{ V}$ ): Application in systems where other supply voltages are used. The required trigger level may be adjusted with an external resistor divider at the SENSE input.

### 8.2 Functional Block Diagram

The functional block diagram is shown for illustrative purposes only; the actual circuit includes a trimming network to adjust the reference voltage and sense-comparator trip point.



- A. TL7702A:  $R1 = 0 \Omega$ ,  $R2 = \text{open}$   
 TL7705A:  $R1 = 7.8 \text{ k}\Omega$ ,  $R2 = 10 \text{ k}\Omega$   
 TL7709A:  $R1 = 19.7 \text{ k}\Omega$ ,  $R2 = 10 \text{ k}\Omega$   
 TL7712A:  $R1 = 32.7 \text{ k}\Omega$ ,  $R2 = 10 \text{ k}\Omega$   
 TL7715A:  $R1 = 43.4 \text{ k}\Omega$ ,  $R2 = 10 \text{ k}\Omega$
- B. Resistor values shown are nominal.



## 8.3 Feature Description

### 8.3.1 Wide Supply-Voltage Range

The TL77xxA family operates over a wide supply voltage range of 3.5 V to 18 V.

### 8.3.2 Externally Adjustable Pulse Duration

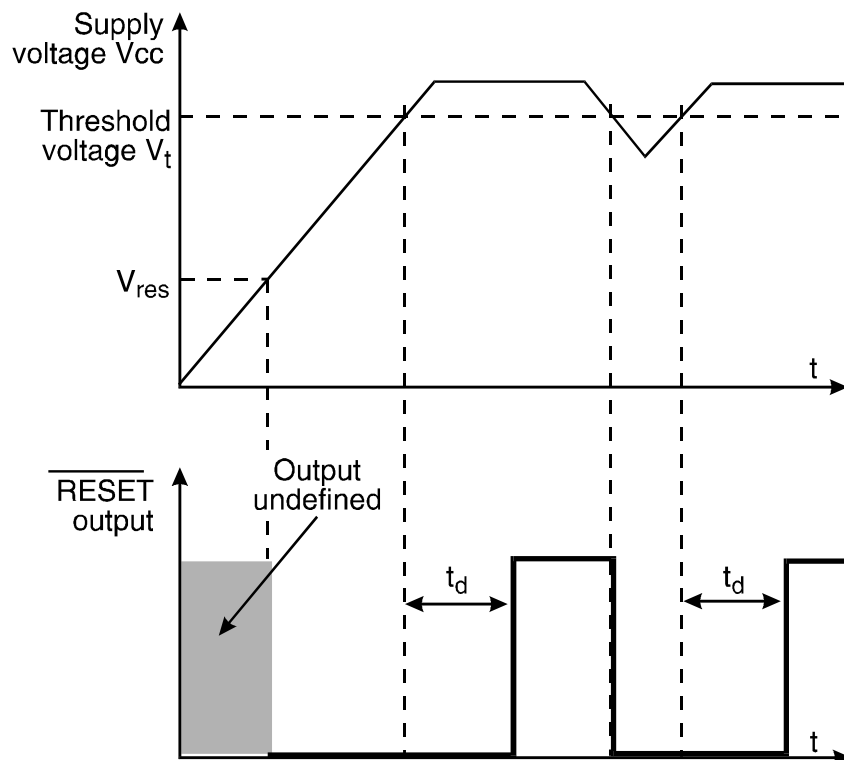
The time delay is determined by the value of the external capacitor  $C_T$ :  $t_d = 1.3 \times 10^4 \times C_T$ , where  $C_T$  is in farads (F) and  $t_d$  is in seconds (s).

### 8.3.3 Temperature-Compensated Voltage Reference

The series TL77xxA incorporates an extremely stable reference voltage source. This voltage source can also be used in applications where a constant voltage source is required. The reference voltage varies less than 10 mV over the supply voltage range of 3.5 V to 18 V. The same stability of the reference voltage is maintained, when the ambient temperature is changed. The reference's voltage varies only 16 mV when the ambient temperature is changed from  $-40^\circ\text{C}$  to  $+85^\circ\text{C}$ .

## 8.4 Device Functional Modes

Figure 7 shows the timing of the various signals. In this example the SENSE input is connected to the supply voltage  $V_{CC}$  as in typical applications of this device. The minimum supply voltage for which the function of this device is guaranteed is 3.6 V. After power-on, the outputs are undefined until the minimum supply voltage  $V_{res}$  is reached. For the TL77xxA the minimum supply voltage is  $V_{res} = 3\text{ V}$  (typical 2.5 V). Beyond the voltage  $V_{res}$  the capacitor  $C_T$  is first kept discharged, and the outputs stay in the active state (RESET = High, RESET = Low). When the input voltage becomes higher than the threshold voltage  $V_t$ , the thyristor is turned off and the capacitor is charged. After a delay,  $t_d$ , the voltage at the capacitor passes the trigger level of the output comparator and the outputs become inactive. The circuit to be initialized is now set to a defined state and starts the correct operation.



A. Note: SENSE Input connected to  $V_{CC}$

Figure 7. Timing Diagram

## 9 Application and Implementation

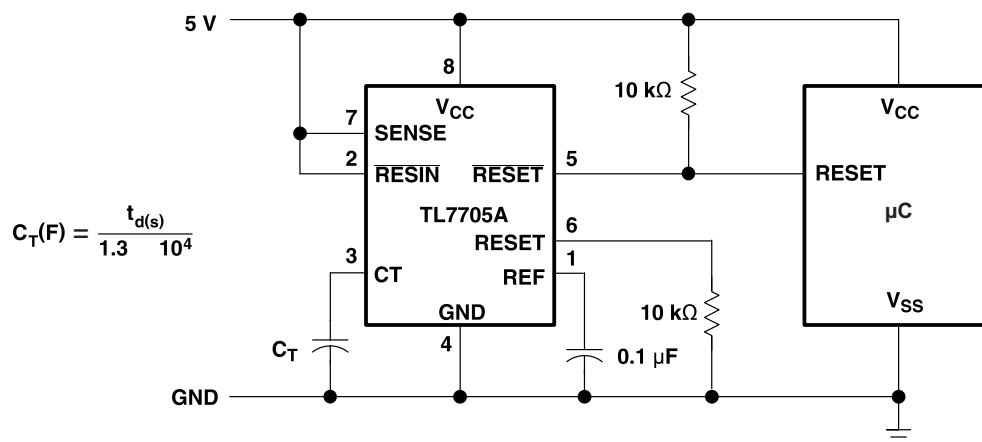
### NOTE

Information in the following applications sections is not part of the TI component specification, and TI does not warrant its accuracy or completeness. TI's customers are responsible for determining suitability of components for their purposes. Customers should validate and test their design implementation to confirm system functionality.

### 9.1 Application Information

This application shows the initialization circuit diagrams for a microprocessor system with supply voltage  $V_{CC} = 5$  V. The external components required are the decoupling capacitor  $C_{ref}$  for the reference voltage and the timing capacitor  $C_T$ . The outputs of the TL77xxA are open collector outputs. In Figure 8 therefore a pull-up resistor is shown at the RESET output to ensure the correct HIGH level.

### 9.2 Typical Application



**Figure 8. Reset Controller Schematic for a Microprocessor**

#### 9.2.1 Design Requirements

- 5-V microprocessor supply voltage
- $t_d = 1.3$  ms

#### 9.2.2 Detailed Design Procedure

- Select reasonable values for pull-up/pull-down resistors for RESET and  $\overline{\text{RESET}}$ . This design uses 10 kΩ.
- Choose  $C_T = 0.1$  µF to achieve  $t_d = 1.3$  ms
- This design uses only the active-low reset output ( $\overline{\text{RESET}}$ ) because the example microcontroller resets when the input is Low.

Typical Application (continued)

9.2.3 Application Curves

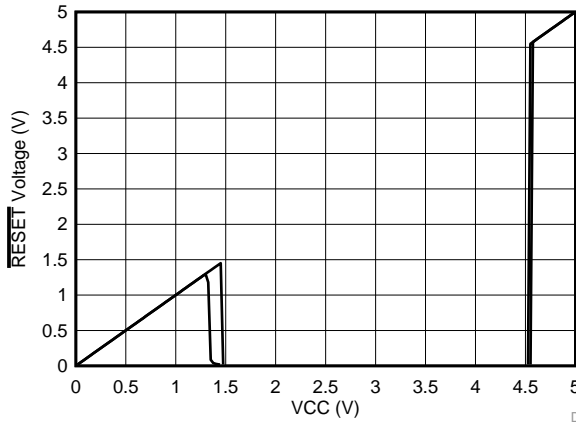


Figure 9. Supervisor  $\overline{\text{RESET}}$  Output Voltage vs  $V_{CC}$  D005

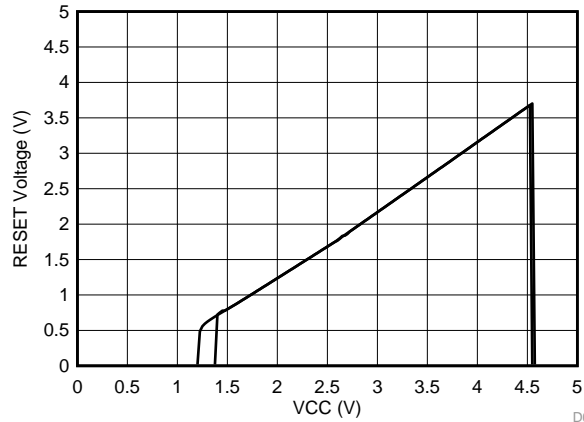


Figure 10. Supervisor RESET Output Voltage vs  $V_{CC}$  D006

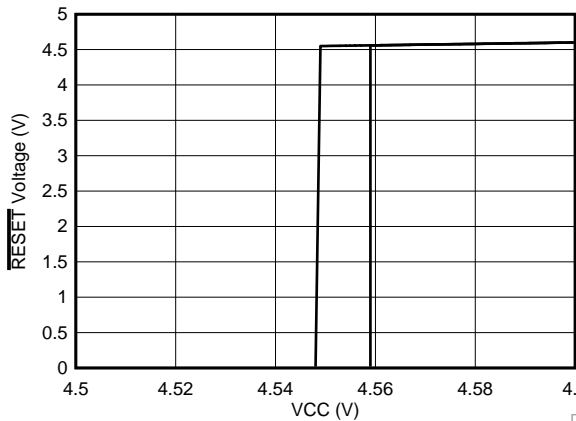


Figure 11. Supervisor  $\overline{\text{RESET}}$  Output Voltage vs  $V_{CC}$  at Transition D007

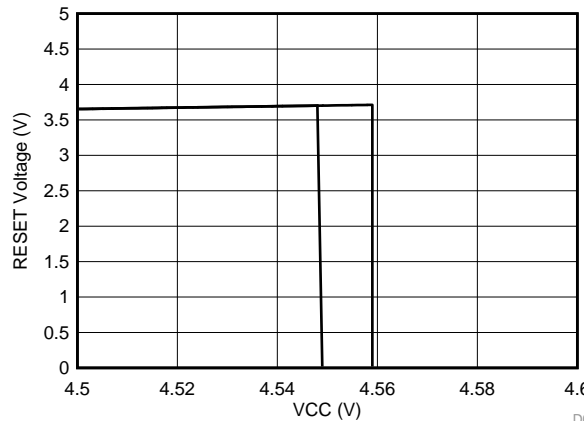


Figure 12. Supervisor RESET Output Voltage vs  $V_{CC}$  at Transition D008

### 9.3 System Examples

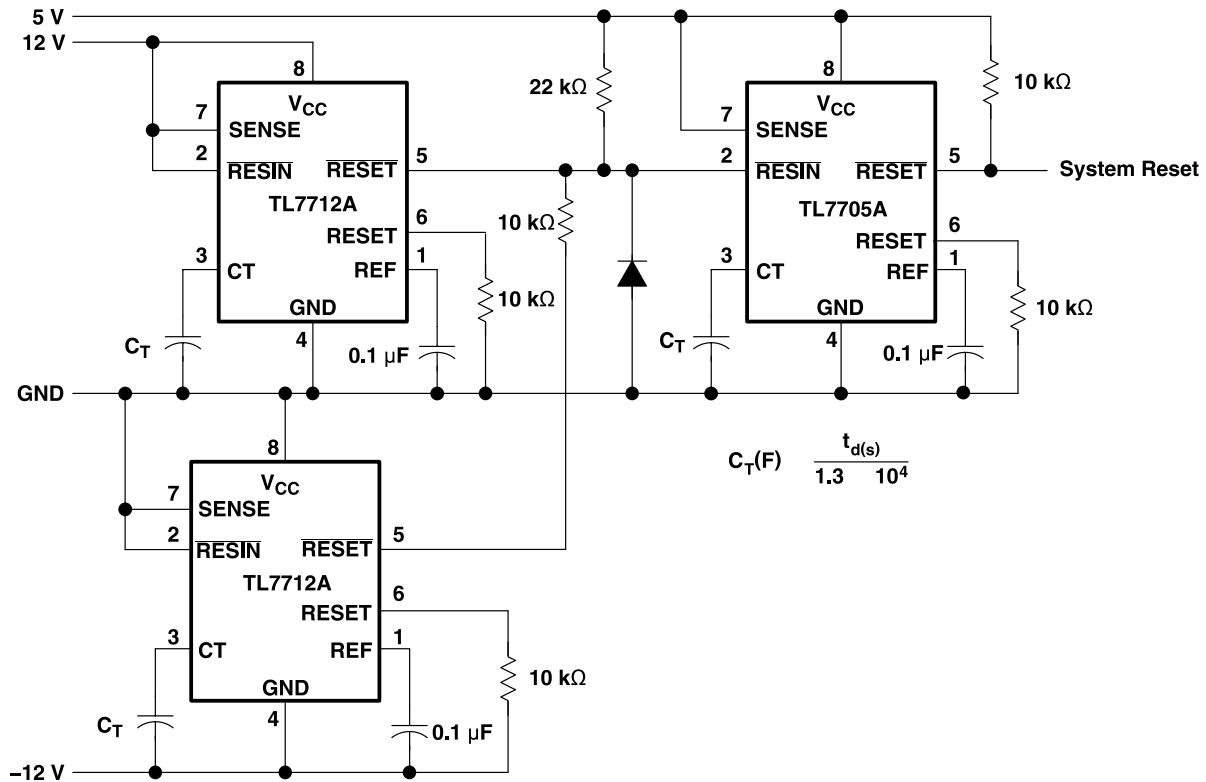


Figure 13. Multi Power-Supply System Reset Generation Schematic

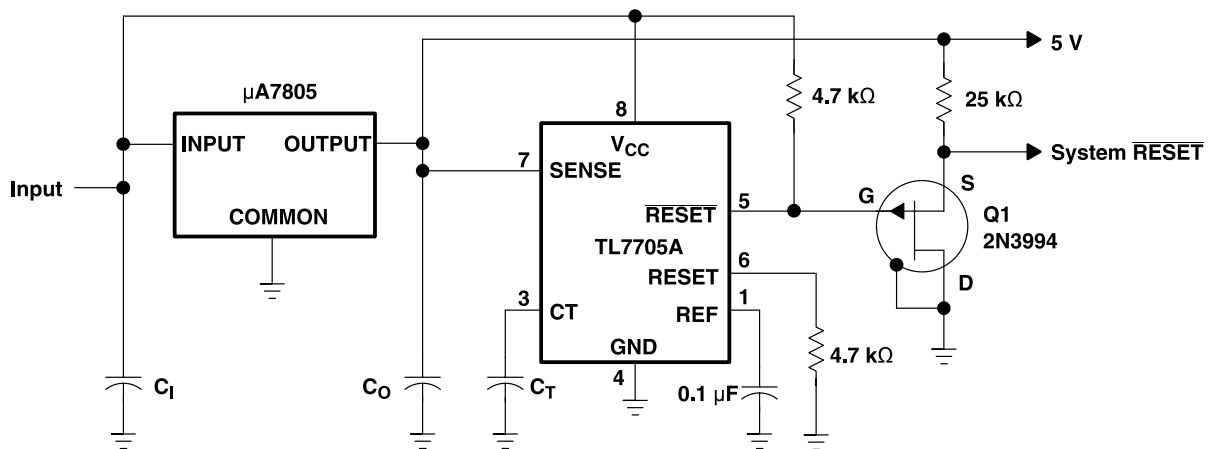


Figure 14. Eliminating Undefined States Using a P-Channel JFET Schematic

System Examples (continued)

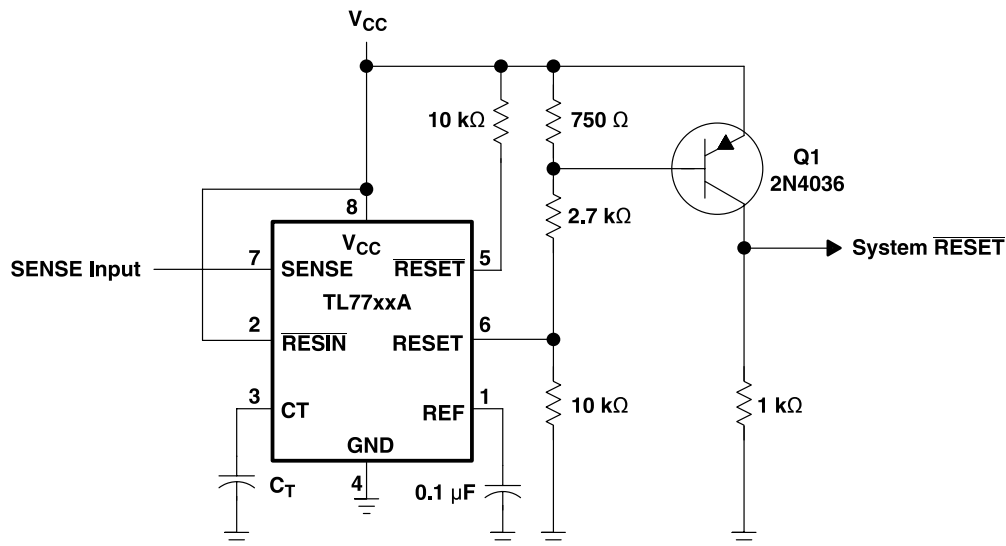


Figure 15. Eliminating Undefined States Using PNP Transistor Schematic

## 10 Power Supply Recommendations

The TL77xxA devices operate within the specifications from the [Recommended Operating Conditions](#) between 3.5 V and 18 V.

### CAUTION

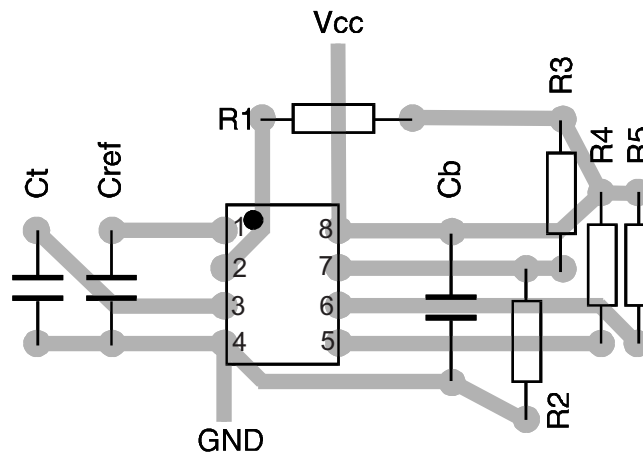
These devices risk being damaged when powered by more than 20 V.

## 11 Layout

### 11.1 Layout Guidelines

The voltage monitor should be placed on the printed circuit board, where there are no neighboring circuits in the which switch high currents (like bus interface circuits and power switches). When laying out the layout of the printed circuit board, take special care with the interconnects which carry analog signals. Beside the SENSE input these are the  $C_T$  and  $V_{ref}$  terminals. Noise coupled into the  $C_T$  input will lead to a reduction of the output pulse width. Noise coupled into the  $V_{ref}$  input or into the filter capacitor at this input may lead to undesired triggering of the circuit and by this to an undesired RESET pulse. Practice shows, that this malfunction when high currents flow over the interconnects of these capacitors to the GND terminal of the voltage monitor. To avoid these effects, the GND terminals of these capacitors must be connected by the shortest way to the GND terminal of the voltage monitor in so that no currents caused by other circuits flow over these wires. [Figure 16](#) show a layout proposal for the printed circuit board. Furthermore the resistors of the voltage divider at the SENSE input of the TL7702 (R2 and R3 in [Figure 16](#)) have to be placed in so, that no noise may be coupled into this circuit.

### 11.2 Layout Example



**Figure 16. Printed Circuit Layout for the Supply Voltage Supervisor**

## 12 Device and Documentation Support

### 12.1 Related Links

The table below lists quick access links. Categories include technical documents, support and community resources, tools and software, and quick access to sample or buy.

**Table 1. Related Links**

| PARTS   | PRODUCT FOLDER             | SAMPLE & BUY               | TECHNICAL DOCUMENTS        | TOOLS & SOFTWARE           | SUPPORT & COMMUNITY        |
|---------|----------------------------|----------------------------|----------------------------|----------------------------|----------------------------|
| TL7702A | <a href="#">Click here</a> | <a href="#">Click here</a> | <a href="#">Click here</a> | <a href="#">Click here</a> | <a href="#">Click here</a> |
| TL7705A | <a href="#">Click here</a> | <a href="#">Click here</a> | <a href="#">Click here</a> | <a href="#">Click here</a> | <a href="#">Click here</a> |
| TL7709A | <a href="#">Click here</a> | <a href="#">Click here</a> | <a href="#">Click here</a> | <a href="#">Click here</a> | <a href="#">Click here</a> |
| TL7712A | <a href="#">Click here</a> | <a href="#">Click here</a> | <a href="#">Click here</a> | <a href="#">Click here</a> | <a href="#">Click here</a> |
| TL7715A | <a href="#">Click here</a> | <a href="#">Click here</a> | <a href="#">Click here</a> | <a href="#">Click here</a> | <a href="#">Click here</a> |

### 12.2 Receiving Notification of Documentation Updates

To receive notification of documentation updates, navigate to the device product folder on ti.com. In the upper right corner, click on *Alert me* to register and receive a weekly digest of any product information that has changed. For change details, review the revision history included in any revised document.

### 12.3 Community Resources

The following links connect to TI community resources. Linked contents are provided "AS IS" by the respective contributors. They do not constitute TI specifications and do not necessarily reflect TI's views; see TI's [Terms of Use](#).

**TI E2E™ Online Community** *TI's Engineer-to-Engineer (E2E) Community*. Created to foster collaboration among engineers. At e2e.ti.com, you can ask questions, share knowledge, explore ideas and help solve problems with fellow engineers.

**Design Support** *TI's Design Support* Quickly find helpful E2E forums along with design support tools and contact information for technical support.

### 12.4 Trademarks

E2E is a trademark of Texas Instruments.  
All other trademarks are the property of their respective owners.

### 12.5 Electrostatic Discharge Caution



This integrated circuit can be damaged by ESD. Texas Instruments recommends that all integrated circuits be handled with appropriate precautions. Failure to observe proper handling and installation procedures can cause damage.

ESD damage can range from subtle performance degradation to complete device failure. Precision integrated circuits may be more susceptible to damage because very small parametric changes could cause the device not to meet its published specifications.

### 12.6 Glossary

[SLYZ022](#) — *TI Glossary*.

This glossary lists and explains terms, acronyms, and definitions.

## 13 Mechanical, Packaging, and Orderable Information

The following pages include mechanical, packaging, and orderable information. This information is the most current data available for the designated devices. This data is subject to change without notice and revision of this document. For browser-based versions of this data sheet, refer to the left-hand navigation.

**PACKAGING INFORMATION**

| Orderable Device | Status<br>(1) | Package Type | Package Drawing | Pins | Package Qty | Eco Plan<br>(2) | Lead finish/<br>Ball material<br>(6) | MSL Peak Temp<br>(3) | Op Temp (°C) | Device Marking<br>(4/5) | Samples                 |
|------------------|---------------|--------------|-----------------|------|-------------|-----------------|--------------------------------------|----------------------|--------------|-------------------------|-------------------------|
| TL7702ACD        | ACTIVE        | SOIC         | D               | 8    | 75          | RoHS & Green    | NIPDAU                               | Level-1-260C-UNLIM   | 0 to 70      | 7702AC                  | <a href="#">Samples</a> |
| TL7702ACDR       | ACTIVE        | SOIC         | D               | 8    | 2500        | RoHS & Green    | NIPDAU                               | Level-1-260C-UNLIM   | 0 to 70      | 7702AC                  | <a href="#">Samples</a> |
| TL7702ACDRG4     | LIFEBUY       | SOIC         | D               | 8    | 2500        | RoHS & Green    | NIPDAU                               | Level-1-260C-UNLIM   | 0 to 70      | 7702AC                  |                         |
| TL7702ACP        | ACTIVE        | PDIP         | P               | 8    | 50          | RoHS & Green    | NIPDAU                               | N / A for Pkg Type   | 0 to 70      | TL7702ACP               | <a href="#">Samples</a> |
| TL7702AID        | ACTIVE        | SOIC         | D               | 8    | 75          | RoHS & Green    | NIPDAU                               | Level-1-260C-UNLIM   | -40 to 85    | 7702AI                  | <a href="#">Samples</a> |
| TL7702AIDR       | ACTIVE        | SOIC         | D               | 8    | 2500        | RoHS & Green    | NIPDAU                               | Level-1-260C-UNLIM   | -40 to 85    | 7702AI                  | <a href="#">Samples</a> |
| TL7702AIDRG4     | LIFEBUY       | SOIC         | D               | 8    | 2500        | RoHS & Green    | NIPDAU                               | Level-1-260C-UNLIM   | -40 to 85    | 7702AI                  |                         |
| TL7702AIP        | ACTIVE        | PDIP         | P               | 8    | 50          | RoHS & Green    | NIPDAU                               | N / A for Pkg Type   | -40 to 85    | TL7702AIP               | <a href="#">Samples</a> |
| TL7702AIPE4      | LIFEBUY       | PDIP         | P               | 8    | 50          | RoHS & Green    | NIPDAU                               | N / A for Pkg Type   | -40 to 85    | TL7702AIP               |                         |
| TL7705ACD        | ACTIVE        | SOIC         | D               | 8    | 75          | RoHS & Green    | NIPDAU                               | Level-1-260C-UNLIM   | 0 to 70      | 7705AC                  | <a href="#">Samples</a> |
| TL7705ACDE4      | LIFEBUY       | SOIC         | D               | 8    | 75          | RoHS & Green    | NIPDAU                               | Level-1-260C-UNLIM   | 0 to 70      | 7705AC                  |                         |
| TL7705ACDG4      | LIFEBUY       | SOIC         | D               | 8    | 75          | RoHS & Green    | NIPDAU                               | Level-1-260C-UNLIM   | 0 to 70      | 7705AC                  |                         |
| TL7705ACDR       | ACTIVE        | SOIC         | D               | 8    | 2500        | RoHS & Green    | NIPDAU                               | Level-1-260C-UNLIM   | 0 to 70      | 7705AC                  | <a href="#">Samples</a> |
| TL7705ACDRG4     | LIFEBUY       | SOIC         | D               | 8    | 2500        | RoHS & Green    | NIPDAU                               | Level-1-260C-UNLIM   | 0 to 70      | 7705AC                  |                         |
| TL7705ACP        | ACTIVE        | PDIP         | P               | 8    | 50          | RoHS & Green    | NIPDAU                               | N / A for Pkg Type   | 0 to 70      | TL7705ACP               | <a href="#">Samples</a> |
| TL7705ACPE4      | LIFEBUY       | PDIP         | P               | 8    | 50          | RoHS & Green    | NIPDAU                               | N / A for Pkg Type   | 0 to 70      | TL7705ACP               |                         |
| TL7705ACPSR      | ACTIVE        | SO           | PS              | 8    | 2000        | RoHS & Green    | NIPDAU                               | Level-1-260C-UNLIM   | 0 to 70      | T7705A                  | <a href="#">Samples</a> |
| TL7705AID        | ACTIVE        | SOIC         | D               | 8    | 75          | RoHS & Green    | NIPDAU                               | Level-1-260C-UNLIM   | -40 to 85    | 7705AI                  | <a href="#">Samples</a> |
| TL7705AIDG4      | LIFEBUY       | SOIC         | D               | 8    | 75          | RoHS & Green    | NIPDAU                               | Level-1-260C-UNLIM   | -40 to 85    | 7705AI                  |                         |
| TL7705AIDR       | ACTIVE        | SOIC         | D               | 8    | 2500        | RoHS & Green    | NIPDAU                               | Level-1-260C-UNLIM   | -40 to 85    | 7705AI                  | <a href="#">Samples</a> |
| TL7705AIDRG4     | LIFEBUY       | SOIC         | D               | 8    | 2500        | RoHS & Green    | NIPDAU                               | Level-1-260C-UNLIM   | -40 to 85    | 7705AI                  |                         |
| TL7705AIP        | ACTIVE        | PDIP         | P               | 8    | 50          | RoHS & Green    | NIPDAU                               | N / A for Pkg Type   | -40 to 85    | TL7705AIP               | <a href="#">Samples</a> |
| TL7709ACD        | ACTIVE        | SOIC         | D               | 8    | 75          | RoHS & Green    | NIPDAU                               | Level-1-260C-UNLIM   | 0 to 70      | 7709AC                  | <a href="#">Samples</a> |



| Orderable Device | Status<br>(1) | Package Type | Package Drawing | Pins | Package Qty | Eco Plan<br>(2) | Lead finish/<br>Ball material<br>(6) | MSL Peak Temp<br>(3) | Op Temp (°C) | Device Marking<br>(4/5) | Samples |
|------------------|---------------|--------------|-----------------|------|-------------|-----------------|--------------------------------------|----------------------|--------------|-------------------------|---------|
| TL7709ACDG4      | LIFEBUY       | SOIC         | D               | 8    | 75          | RoHS & Green    | NIPDAU                               | Level-1-260C-UNLIM   | 0 to 70      | 7709AC                  |         |
| TL7709ACDR       | ACTIVE        | SOIC         | D               | 8    | 2500        | RoHS & Green    | NIPDAU                               | Level-1-260C-UNLIM   | 0 to 70      | 7709AC                  | Samples |
| TL7709ACP        | ACTIVE        | PDIP         | P               | 8    | 50          | RoHS & Green    | NIPDAU                               | N / A for Pkg Type   | 0 to 70      | TL7709ACP               | Samples |
| TL7712ACD        | ACTIVE        | SOIC         | D               | 8    | 75          | RoHS & Green    | NIPDAU                               | Level-1-260C-UNLIM   | 0 to 70      | 7712AC                  | Samples |
| TL7712ACDE4      | LIFEBUY       | SOIC         | D               | 8    | 75          | RoHS & Green    | NIPDAU                               | Level-1-260C-UNLIM   | 0 to 70      | 7712AC                  |         |
| TL7712ACDG4      | LIFEBUY       | SOIC         | D               | 8    | 75          | RoHS & Green    | NIPDAU                               | Level-1-260C-UNLIM   | 0 to 70      | 7712AC                  |         |
| TL7712ACDR       | ACTIVE        | SOIC         | D               | 8    | 2500        | RoHS & Green    | NIPDAU                               | Level-1-260C-UNLIM   | 0 to 70      | 7712AC                  | Samples |
| TL7712ACDRE4     | LIFEBUY       | SOIC         | D               | 8    | 2500        | RoHS & Green    | NIPDAU                               | Level-1-260C-UNLIM   | 0 to 70      | 7712AC                  |         |
| TL7712ACDRG4     | LIFEBUY       | SOIC         | D               | 8    | 2500        | RoHS & Green    | NIPDAU                               | Level-1-260C-UNLIM   | 0 to 70      | 7712AC                  |         |
| TL7712ACP        | ACTIVE        | PDIP         | P               | 8    | 50          | RoHS & Green    | NIPDAU                               | N / A for Pkg Type   | 0 to 70      | TL7712ACP               | Samples |
| TL7712AIDR       | ACTIVE        | SOIC         | D               | 8    | 2500        | RoHS & Green    | NIPDAU                               | Level-1-260C-UNLIM   |              | 7712AI                  | Samples |
| TL7715ACD        | ACTIVE        | SOIC         | D               | 8    | 75          | RoHS & Green    | NIPDAU                               | Level-1-260C-UNLIM   | 0 to 70      | 7715AC                  | Samples |
| TL7715ACDE4      | LIFEBUY       | SOIC         | D               | 8    | 75          | RoHS & Green    | NIPDAU                               | Level-1-260C-UNLIM   | 0 to 70      | 7715AC                  |         |
| TL7715ACP        | ACTIVE        | PDIP         | P               | 8    | 50          | RoHS & Green    | NIPDAU                               | N / A for Pkg Type   | 0 to 70      | TL7715ACP               | Samples |

(1) The marketing status values are defined as follows:

**ACTIVE:** Product device recommended for new designs.

**LIFEBUY:** TI has announced that the device will be discontinued, and a lifetime-buy period is in effect.

**NRND:** Not recommended for new designs. Device is in production to support existing customers, but TI does not recommend using this part in a new design.

**PREVIEW:** Device has been announced but is not in production. Samples may or may not be available.

**OBSELETE:** TI has discontinued the production of the device.

(2) **RoHS:** TI defines "RoHS" to mean semiconductor products that are compliant with the current EU RoHS requirements for all 10 RoHS substances, including the requirement that RoHS substance do not exceed 0.1% by weight in homogeneous materials. Where designed to be soldered at high temperatures, "RoHS" products are suitable for use in specified lead-free processes. TI may reference these types of products as "Pb-Free".

**RoHS Exempt:** TI defines "RoHS Exempt" to mean products that contain lead but are compliant with EU RoHS pursuant to a specific EU RoHS exemption.

**Green:** TI defines "Green" to mean the content of Chlorine (Cl) and Bromine (Br) based flame retardants meet JS709B low halogen requirements of <=1000ppm threshold. Antimony trioxide based flame retardants must also meet the <=1000ppm threshold requirement.

(3) MSL, Peak Temp. - The Moisture Sensitivity Level rating according to the JEDEC industry standard classifications, and peak solder temperature.

(4) There may be additional marking, which relates to the logo, the lot trace code information, or the environmental category on the device.

(5) Multiple Device Markings will be inside parentheses. Only one Device Marking contained in parentheses and separated by a "~" will appear on a device. If a line is indented then it is a continuation of the previous line and the two combined represent the entire Device Marking for that device.

(6) Lead finish/Ball material - Orderable Devices may have multiple material finish options. Finish options are separated by a vertical ruled line. Lead finish/Ball material values may wrap to two lines if the finish value exceeds the maximum column width.

**Important Information and Disclaimer:**The information provided on this page represents TI's knowledge and belief as of the date that it is provided. TI bases its knowledge and belief on information provided by third parties, and makes no representation or warranty as to the accuracy of such information. Efforts are underway to better integrate information from third parties. TI has taken and continues to take reasonable steps to provide representative and accurate information but may not have conducted destructive testing or chemical analysis on incoming materials and chemicals. TI and TI suppliers consider certain information to be proprietary, and thus CAS numbers and other limited information may not be available for release.

In no event shall TI's liability arising out of such information exceed the total purchase price of the TI part(s) at issue in this document sold by TI to Customer on an annual basis.

**TAPE AND REEL INFORMATION**

**QUADRANT ASSIGNMENTS FOR PIN 1 ORIENTATION IN TAPE**


\*All dimensions are nominal

| Device      | Package Type | Package Drawing | Pins | SPQ  | Reel Diameter (mm) | Reel Width W1 (mm) | A0 (mm) | B0 (mm) | K0 (mm) | P1 (mm) | W (mm) | Pin1 Quadrant |
|-------------|--------------|-----------------|------|------|--------------------|--------------------|---------|---------|---------|---------|--------|---------------|
| TL7702ACDR  | SOIC         | D               | 8    | 2500 | 330.0              | 12.4               | 6.4     | 5.2     | 2.1     | 8.0     | 12.0   | Q1            |
| TL7702AIDR  | SOIC         | D               | 8    | 2500 | 330.0              | 12.4               | 6.4     | 5.2     | 2.1     | 8.0     | 12.0   | Q1            |
| TL7705ACDR  | SOIC         | D               | 8    | 2500 | 330.0              | 12.4               | 6.4     | 5.2     | 2.1     | 8.0     | 12.0   | Q1            |
| TL7705ACPSR | SO           | PS              | 8    | 2000 | 330.0              | 16.4               | 8.35    | 6.6     | 2.4     | 12.0    | 16.0   | Q1            |
| TL7705AIDR  | SOIC         | D               | 8    | 2500 | 330.0              | 12.4               | 6.4     | 5.2     | 2.1     | 8.0     | 12.0   | Q1            |
| TL7709ACDR  | SOIC         | D               | 8    | 2500 | 330.0              | 12.4               | 6.4     | 5.2     | 2.1     | 8.0     | 12.0   | Q1            |
| TL7712ACDR  | SOIC         | D               | 8    | 2500 | 330.0              | 12.4               | 6.4     | 5.2     | 2.1     | 8.0     | 12.0   | Q1            |
| TL7712AIDR  | SOIC         | D               | 8    | 2500 | 330.0              | 12.4               | 6.4     | 5.2     | 2.1     | 8.0     | 12.0   | Q1            |

**TAPE AND REEL BOX DIMENSIONS**


\*All dimensions are nominal

| Device      | Package Type | Package Drawing | Pins | SPQ  | Length (mm) | Width (mm) | Height (mm) |
|-------------|--------------|-----------------|------|------|-------------|------------|-------------|
| TL7702ACDR  | SOIC         | D               | 8    | 2500 | 340.5       | 338.1      | 20.6        |
| TL7702AIDR  | SOIC         | D               | 8    | 2500 | 340.5       | 338.1      | 20.6        |
| TL7705ACDR  | SOIC         | D               | 8    | 2500 | 340.5       | 338.1      | 20.6        |
| TL7705ACPSR | SO           | PS              | 8    | 2000 | 356.0       | 356.0      | 35.0        |
| TL7705AIDR  | SOIC         | D               | 8    | 2500 | 340.5       | 338.1      | 20.6        |
| TL7709ACDR  | SOIC         | D               | 8    | 2500 | 340.5       | 338.1      | 20.6        |
| TL7712ACDR  | SOIC         | D               | 8    | 2500 | 340.5       | 338.1      | 20.6        |
| TL7712AIDR  | SOIC         | D               | 8    | 2500 | 340.5       | 338.1      | 20.6        |

**TUBE**


\*All dimensions are nominal

| Device      | Package Name | Package Type | Pins | SPQ | L (mm) | W (mm) | T (μm) | B (mm) |
|-------------|--------------|--------------|------|-----|--------|--------|--------|--------|
| TL7702ACD   | D            | SOIC         | 8    | 75  | 507    | 8      | 3940   | 4.32   |
| TL7702ACD   | D            | SOIC         | 8    | 75  | 506.6  | 8      | 3940   | 4.32   |
| TL7702ACP   | P            | PDIP         | 8    | 50  | 506    | 13.97  | 11230  | 4.32   |
| TL7702AID   | D            | SOIC         | 8    | 75  | 507    | 8      | 3940   | 4.32   |
| TL7702AIP   | P            | PDIP         | 8    | 50  | 506    | 13.97  | 11230  | 4.32   |
| TL7702AIPE4 | P            | PDIP         | 8    | 50  | 506    | 13.97  | 11230  | 4.32   |
| TL7705ACD   | D            | SOIC         | 8    | 75  | 507    | 8      | 3940   | 4.32   |
| TL7705ACDE4 | D            | SOIC         | 8    | 75  | 507    | 8      | 3940   | 4.32   |
| TL7705ACDG4 | D            | SOIC         | 8    | 75  | 507    | 8      | 3940   | 4.32   |
| TL7705ACP   | P            | PDIP         | 8    | 50  | 506    | 13.97  | 11230  | 4.32   |
| TL7705ACPE4 | P            | PDIP         | 8    | 50  | 506    | 13.97  | 11230  | 4.32   |
| TL7705AID   | D            | SOIC         | 8    | 75  | 507    | 8      | 3940   | 4.32   |
| TL7705AIDG4 | D            | SOIC         | 8    | 75  | 507    | 8      | 3940   | 4.32   |
| TL7705AIP   | P            | PDIP         | 8    | 50  | 506    | 13.97  | 11230  | 4.32   |
| TL7709ACD   | D            | SOIC         | 8    | 75  | 507    | 8      | 3940   | 4.32   |
| TL7709ACDG4 | D            | SOIC         | 8    | 75  | 507    | 8      | 3940   | 4.32   |
| TL7709ACP   | P            | PDIP         | 8    | 50  | 506    | 13.97  | 11230  | 4.32   |
| TL7712ACD   | D            | SOIC         | 8    | 75  | 507    | 8      | 3940   | 4.32   |
| TL7712ACDE4 | D            | SOIC         | 8    | 75  | 507    | 8      | 3940   | 4.32   |
| TL7712ACDG4 | D            | SOIC         | 8    | 75  | 507    | 8      | 3940   | 4.32   |
| TL7712ACP   | P            | PDIP         | 8    | 50  | 506    | 13.97  | 11230  | 4.32   |
| TL7715ACD   | D            | SOIC         | 8    | 75  | 507    | 8      | 3940   | 4.32   |
| TL7715ACDE4 | D            | SOIC         | 8    | 75  | 507    | 8      | 3940   | 4.32   |
| TL7715ACP   | P            | PDIP         | 8    | 50  | 506    | 13.97  | 11230  | 4.32   |



D0008A

# PACKAGE OUTLINE

SOIC - 1.75 mm max height

SMALL OUTLINE INTEGRATED CIRCUIT



4214825/C 02/2019

NOTES:

1. Linear dimensions are in inches [millimeters]. Dimensions in parenthesis are for reference only. Controlling dimensions are in inches. Dimensioning and tolerancing per ASME Y14.5M.
2. This drawing is subject to change without notice.
3. This dimension does not include mold flash, protrusions, or gate burrs. Mold flash, protrusions, or gate burrs shall not exceed  $.006$  [0.15] per side.
4. This dimension does not include interlead flash.
5. Reference JEDEC registration MS-012, variation AA.

# EXAMPLE BOARD LAYOUT

D0008A

SOIC - 1.75 mm max height

SMALL OUTLINE INTEGRATED CIRCUIT



LAND PATTERN EXAMPLE  
EXPOSED METAL SHOWN  
SCALE:8X



SOLDER MASK DETAILS

4214825/C 02/2019

NOTES: (continued)

6. Publication IPC-7351 may have alternate designs.

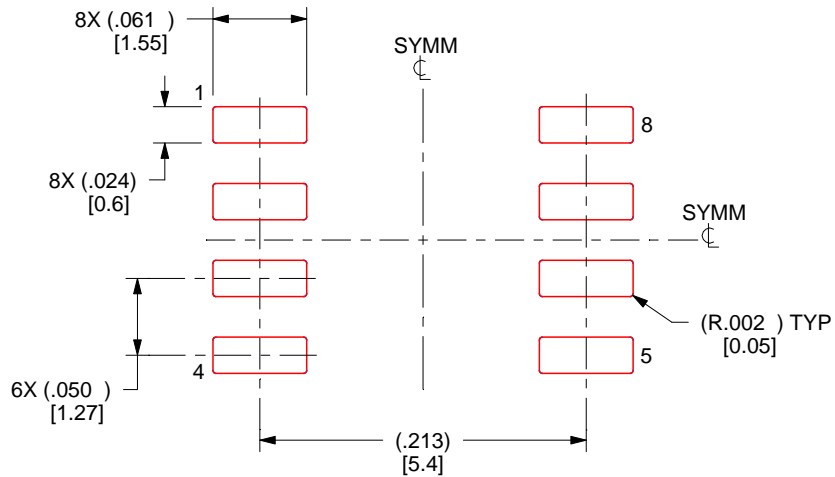
7. Solder mask tolerances between and around signal pads can vary based on board fabrication site.

# EXAMPLE STENCIL DESIGN

D0008A

SOIC - 1.75 mm max height

SMALL OUTLINE INTEGRATED CIRCUIT



SOLDER PASTE EXAMPLE  
BASED ON .005 INCH [0.125 MM] THICK STENCIL  
SCALE:8X

4214825/C 02/2019

NOTES: (continued)

8. Laser cutting apertures with trapezoidal walls and rounded corners may offer better paste release. IPC-7525 may have alternate design recommendations.
9. Board assembly site may have different recommendations for stencil design.



MECHANICAL DATA

PS (R-PDSO-G8)

PLASTIC SMALL-OUTLINE PACKAGE



- NOTES:
- A. All linear dimensions are in millimeters.
  - B. This drawing is subject to change without notice.
  - C. Body dimensions do not include mold flash or protrusion, not to exceed 0,15.

PS (R-PDSO-G8)

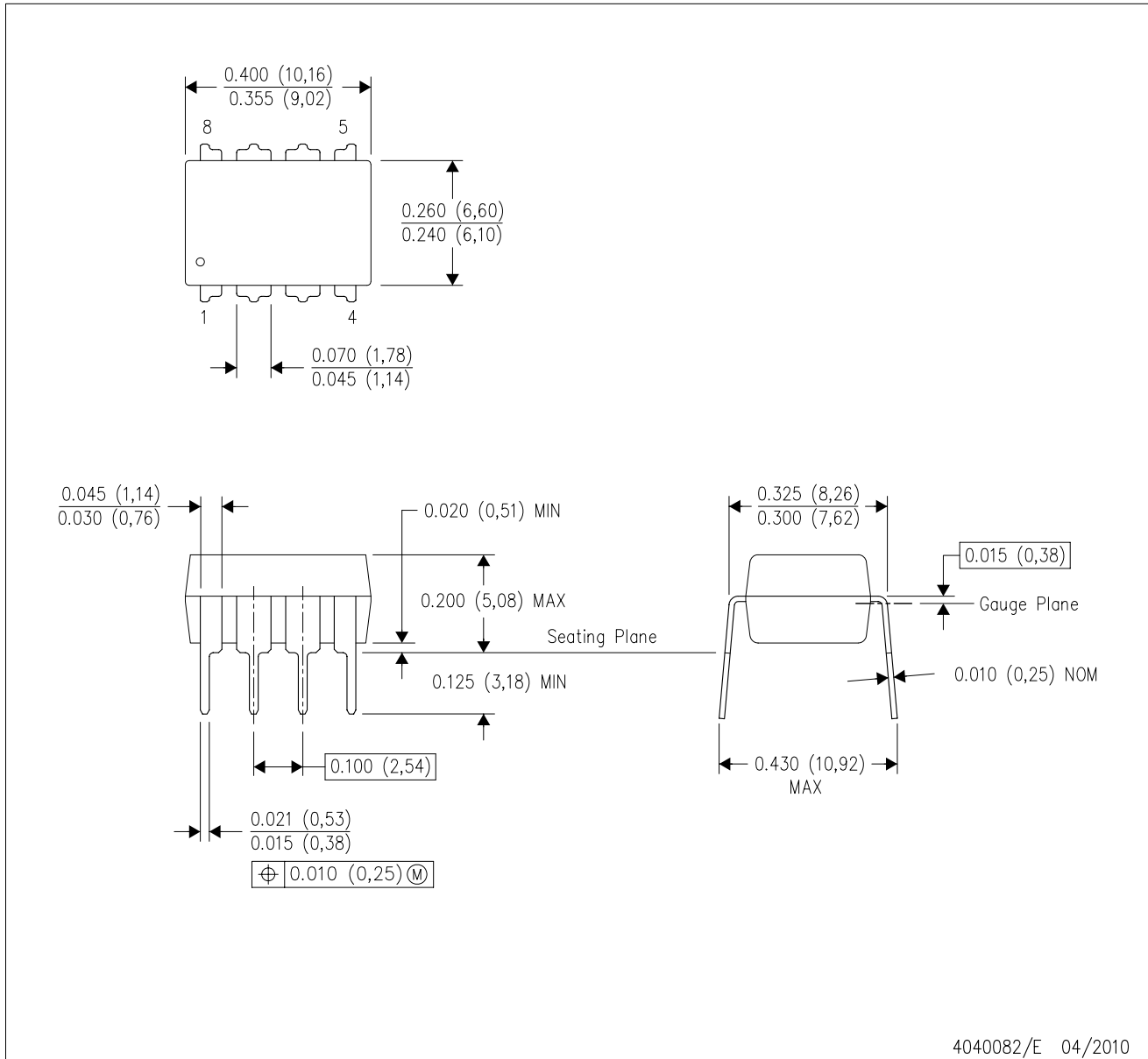
PLASTIC SMALL OUTLINE



- NOTES:
- A. All linear dimensions are in millimeters.
  - B. This drawing is subject to change without notice.
  - C. Publication IPC-7351 is recommended for alternate designs.
  - D. Laser cutting apertures with trapezoidal walls and also rounding corners will offer better paste release. Customers should contact their board assembly site for stencil design recommendations. Refer to IPC-7525 for other stencil recommendations.
  - E. Customers should contact their board fabrication site for solder mask tolerances between and around signal pads.

P (R-PDIP-T8)

PLASTIC DUAL-IN-LINE PACKAGE



4040082/E 04/2010

- NOTES:
- A. All linear dimensions are in inches (millimeters).
  - B. This drawing is subject to change without notice.
  - C. Falls within JEDEC MS-001 variation BA.

## IMPORTANT NOTICE AND DISCLAIMER

TI PROVIDES TECHNICAL AND RELIABILITY DATA (INCLUDING DATA SHEETS), DESIGN RESOURCES (INCLUDING REFERENCE DESIGNS), APPLICATION OR OTHER DESIGN ADVICE, WEB TOOLS, SAFETY INFORMATION, AND OTHER RESOURCES "AS IS" AND WITH ALL FAULTS, AND DISCLAIMS ALL WARRANTIES, EXPRESS AND IMPLIED, INCLUDING WITHOUT LIMITATION ANY IMPLIED WARRANTIES OF MERCHANTABILITY, FITNESS FOR A PARTICULAR PURPOSE OR NON-INFRINGEMENT OF THIRD PARTY INTELLECTUAL PROPERTY RIGHTS.

These resources are intended for skilled developers designing with TI products. You are solely responsible for (1) selecting the appropriate TI products for your application, (2) designing, validating and testing your application, and (3) ensuring your application meets applicable standards, and any other safety, security, regulatory or other requirements.

These resources are subject to change without notice. TI grants you permission to use these resources only for development of an application that uses the TI products described in the resource. Other reproduction and display of these resources is prohibited. No license is granted to any other TI intellectual property right or to any third party intellectual property right. TI disclaims responsibility for, and you will fully indemnify TI and its representatives against, any claims, damages, costs, losses, and liabilities arising out of your use of these resources.

TI's products are provided subject to [TI's Terms of Sale](#) or other applicable terms available either on [ti.com](https://www.ti.com) or provided in conjunction with such TI products. TI's provision of these resources does not expand or otherwise alter TI's applicable warranties or warranty disclaimers for TI products.

TI objects to and rejects any additional or different terms you may have proposed.

Mailing Address: Texas Instruments, Post Office Box 655303, Dallas, Texas 75265  
Copyright © 2023, Texas Instruments Incorporated