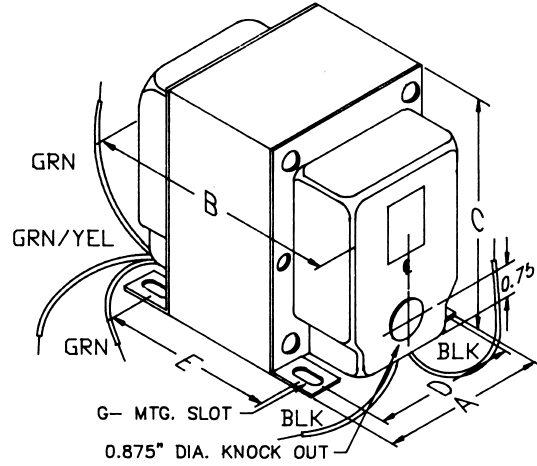


Filament & L.V. Rectifier Use

Power



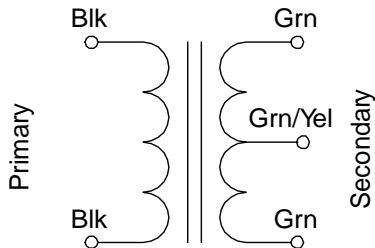
ENCLOSED FILAMENT & L.V. RECTIFIER USE TRANSFORMERS

- Primary 115 VAC, 60 Hz.
- All secondaries center tapped, VAC (RMS)
- Enclosed, 4 hole chassis mount.
- Minimum 6" long leads.
- Dual bobbin design - no electrostatic shield required.
- Class B insulation (130 degrees C).
- Hi-Pot test of 2,000V RMS.
- UL listed (# E50394) & CSA certified (# LR3902).

Dimension Table

Mtg. Style	Dimensions					G-Mtg. Slot
	A	B	C	D	E	
X1	1.88	2.19	2.50	1.50	1.31	.19 X .31
X2	1.88	2.44	2.50	1.50	1.56	.19 X .31
X3	2.19	2.38	2.63	1.75	1.31	.19 X .25
X4	2.19	2.50	2.63	1.75	1.44	.19 X .25
X5	2.19	2.63	2.63	1.75	1.56	.19 X .25
X6	2.50	2.75	3.06	2.00	1.69	.203 X .38
X7	2.50	3.00	3.06	2.00	1.94	.203 X .38
X8	2.50	3.25	3.06	2.00	2.19	.203 X .38
X9	2.50	3.75	3.06	2.00	2.69	.203 X .38
X10	3.13	3.50	3.81	2.50	2.19	.203 X .38
X11	3.13	3.75	3.81	2.50	2.44	.203 X .38
X13	3.75	4.00	4.56	3.00	2.81	.203 X .38
X14	3.75	4.50	4.56	3.00	3.31	.203 X .38
X15	3.75	5.00	4.56	3.00	3.81	.203 X .38
X16	3.75	5.50	4.56	3.00	4.31	.203 X .38

Transformer Schematic



Selection Tables

Primary 115 VAC 60 Hz.

Cat. No.	Secondary (RMS)		Dim. Ref.
	VAC	Amps	
167M5	5.0ct	3	X1
167Q5	5.0ct	6	X2
167R5	5.0ct	8	X4
167S5	5.0ct	10	X5
167U5	5.0ct	15	X6
167V5	5.0ct	20	X8
167X5	5.0ct	30	X10
167N6	6.3ct	4	X2
167Q6	6.3ct	6	X3
167R6	6.3ct	8	X5
167S6	6.3ct	10	X6
167T6	6.3ct	12	X6
167U6	6.3ct	16	X8
167U7	7.5ct	15	X8
167V7	7.5ct	21	X10
167N10	10.0ct	4	X4
167P10	10.0ct	5	X5
167R10	10.0ct	8	X7
167S10	10.0ct	10	X8
167P11	11.0ct	5	X6
167S11	11.0ct	10	X8
167U11	11.0ct	15	X10
167L12	12.6ct	2.5	X2
167N12	12.6ct	4	X5
167Q12	12.6ct	6	X6
167R12	12.6ct	8	X8
167S12	12.6ct	10	X9
167V12	12.6ct	20	X13
167N14	14.0ct	4	X6
167Q14	14.0ct	6	X7
167M16	16.0ct	3	X5
167P16	16.0ct	5	X7
167M18	18.0ct	3	X6
167P18	18.0ct	5	X7
167S18	18.0ct	10	X11
167U18	18.0ct	15	X13
167V18	18.0ct	20	X14
167M20	20.0ct	3	X6
167P20	20.0ct	5	X8
167U20	20.0ct	16	X14
167T22	22.0ct	12	X13
167V22	22.0ct	20	X15
167L24	24.0ct	2	X5

Primary 115 VAC 60 Hz.

Cat. No.	Secondary (RMS)		Dim. Ref.
	VAC	Amps	
167J25	25.0ct	1	X2
167K25	25.0ct	1.5	X3
167M25	25.0ct	3	X6
167N25	25.0ct	4	X8
167P25	25.0ct	5	X9
167S25	25.0ct	10	X13
167J28	28.0ct	1	X2
167L28	28.0ct	2	X6
167M28	28.0ct	3	X7
167K30	30.0ct	1.5	X4
167M30	30.0ct	3	X7
167P30	30.0ct	5	X10
167S30	30.0ct	10	X13
167J33	33.0ct	1	X2
167J36	36.0ct	1	X3
167L36	36.0ct	2	X6
167M36	36.0ct	3	X8
167P36	36.0ct	5	X11
167R36	36.0ct	8	X13
167T36	36.0ct	12	X15
167L44	44.0ct	2	X7
167J50	50.0ct	1	X5
167L50	50.0ct	2	X8
167P50	50.0ct	5	X13
167G55	55.0ct	0.5	X2
167J55	55.0ct	1	X6
167L55	55.0ct	2	X8
167G60	60.0ct	0.5	X2
167J60	60.0ct	1	X6
167L60	60.0ct	2	X9
167M60	60.0ct	3	X11
167P60	60.0ct	5	X13
167S64	64.0ct	10	X16
167L70	70.0ct	2	X9
167N70	70.0ct	4	X13
167G80	80.0ct	0.5	X4
167J80	80.0ct	1	X7
167L80	80.0ct	2	X10
167N80	80.0ct	4	X14
167G100	100.0ct	0.5	X5
167J100	100.0ct	1	X8
167P100	100.0ct	5	X16
167G120	120.0ct	0.5	X6
167H200	200.0ct	0.87	X11

CANADA

Phone: (519) 822-2960 Fax: (519) 822-0715

USA

Phone: (716) 651-0086 Fax: (716) 651-0726



© 2000

**HAMMOND
MANUFACTURING™**
www.hammondmfg.com