

**6 & 8 VERSIONS**

8 VERSION SHOWN

**NOTES :**

**1- MATERIAL:**

-HOUSING: POLYESTER FIBER GLASS FILLED UL 94-V0, COLOR BLACK.

-TERMINAL: PHOSPHOR BRONZE .

**PLATING 2:**

POST PLATE (0.00127)/.000050 MIN GOLD IN CONTACT AREA

(0.00190)/.000075 MIN PURE TIN IN TAIL AREA

BOTH OVER (0.00127)/.000050 MIN NICKEL OVERALL.

**PLATING 7.**

POST PLATE (0.00005)/.000002 MIN GOLD OVER (0.00076)/.000030 MIN

PALLADIUM NICKEL IN CONTACT AREA (0.00190)/.000075 MIN

PURE TIN IN TAIL AREA BOTH OVER (0.00127)/.000050 MIN NICKEL OVERALL (4 CKTS VERSION)

2- JACK FOR MATING WITH F.C.C. 68 PLUGS 90075 MOLEX SERIES.

3- PRODUCT SPECIFICATION PS-9500I.

4- APPLICATION SPECIFICATION AS-9500I.

5- PACKAGING SPECIFICATION PK-9500I; STANDARD PACKAGING SHEET 1. SPECIAL PACKAGING SHEET 2. TUBE PACKAGING SHEET 3.

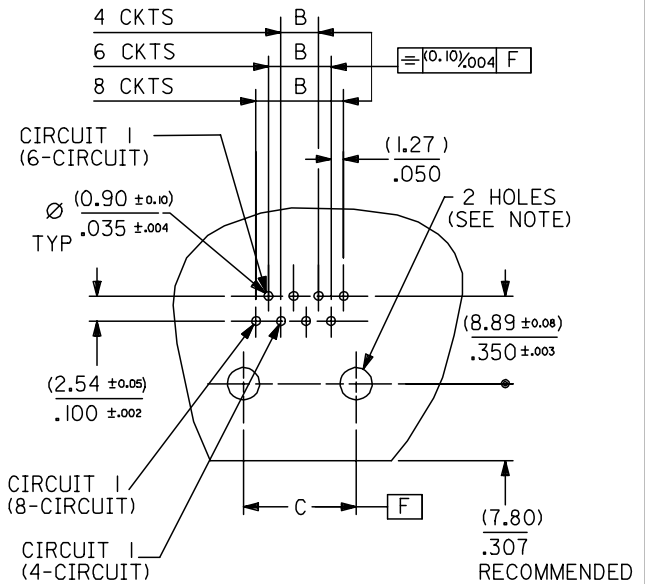
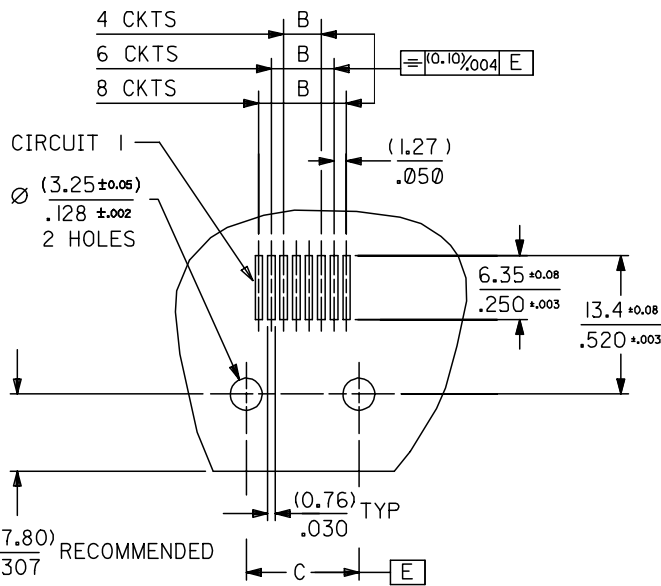
EC NO: MG2005-0106 DRWN: MARTIN 2004/10/12 CHKD: FCARABET 2004/10/12 APPR: KNOLLER 2004/10/13	QUALITY SYMBOLS ▽=0 ▽=0	GENERAL TOLERANCES (UNLESS SPECIFIED)		DIMENSION STYLE MM/IN		SCALE 4:1	DESIGN UNITS METRIC	THIRD ANGLE PROJECTION			
		4 PLACES ± --- ± ---	3 PLACES ± --- ± .006	DRAWN BY FB	DATE 1993/02/24	TITLE R/A LOW PROFILE PC JACK 4,6,8 CKTS SIZE THROUGH HOLE VERSION					
		2 PLACES ± 0.15 ± .010	1 PLACE ± 0.25 ± ---	CHECKED BY ER	DATE 1993/02/24	MOLEX INCORPORATED					
		ANGULAR ± ---°		APPROVED BY JB	DATE 1993/02/24	MATERIAL NO. SEE CHART SHEETS 4.5688		DOCUMENT NO. SDA-9500I	SHEET NO. 1 OF 9		
DRAFT WHERE APPLICABLE MUST REMAIN WITHIN DIMENSIONS		THIS DRAWING CONTAINS INFORMATION THAT IS PROPRIETARY TO MOLEX INCORPORATED AND SHOULD NOT BE USED WITHOUT WRITTEN PERMISSION									

TYPE \ DIM.	POS. 4		POS. 6		POS. 8	
	4 CKTS.	4 CKTS.	6 CKTS.	4 CKTS.	6 CKTS.	8 CKTS.
A	(11.18) / .440	(13.21) / .520	(13.21) / .520	(15.24) / .600	(15.24) / .600	(15.24) / .600
C $\pm 0.05 / \pm 0.002$	(7.62) / .300	(10.16) / .400	(10.16) / .400	(11.43) / .450	(11.43) / .450	(11.43) / .450
B $\pm 0.05 / \pm 0.002$	(3.81) / .150	(3.81) / .150	(6.35) / .250	(3.81) / .150	(6.35) / .250	(8.89) / .350

P.C.B. MOUNTING PATTERNS - SEE FROM COMPONENT SIDE

FOR SMT JACK TYPE (SURFACE MOUNT)

FOR STANDARD JACK TYPE (THROUGH HOLE)



FOR ALL VERSIONS, CIRCUIT 1 ALWAYS ON THE LEFT SIDE

**NOTE:**  
 FOR CONVECTION SOLDERING: DIA 3.25±0.05 / .128±.002  
 FOR WAVE SOLDERING: DIA 3.20±0.10 / .126±.004

EC NO: MG2005-0106 DRAWN: MARTIN 2004/10/12 CHKD: FCARABET 2004/10/12 APPR: KNOLLER 2004/10/13	QUALITY SYMBOLS ▽=0 ▽=0	GENERAL TOLERANCES (UNLESS SPECIFIED)		DIMENSION STYLE MM/IN	SCALE 2:1	DESIGN UNITS METRIC	THIRD ANGLE PROJECTION
		4 PLACES ± --- ± --- 3 PLACES ± --- ± .006 2 PLACES ± 0.15 ± .010 1 PLACE ± 0.25 ± --- ANGULAR ± ---°	DRAWN BY FB	DATE 2004/09/25	TITLE R/A LOW PROFILE JACK PC JACK 4,6,8 CKT SIZE SMT AND STANDARD VERSION	MOLEX INCORPORATED	DOCUMENT NO. SDA-95001
DRAFT WHERE APPLICABLE MUST REMAIN WITHIN DIMENSIONS	MATERIAL NO. SEE CHART SHEETS 4,5&6	APPROVED BY DATE	THIS DRAWING CONTAINS INFORMATION THAT IS PROPRIETARY TO MOLEX INCORPORATED AND SHOULD NOT BE USED WITHOUT WRITTEN PERMISSION				

STANDARD PACKAGING OPEN TRAY ,SEE PACKAGING SPEC PK95001 SHEET 1

PART NO FOR JACK ASSEMBLY

STANDARD VERSION

SPECIAL VERSION  
HIGH TEMPERATURE

HOUSING SIZE	LOADED CONTACTS	PLATING	POLYESTER FIBER GLASS FILED 94V0,COLOR BLACK.						POLYAMIDE FIBER GLASS FILLED COLOR BLACK								
			NO KEY		KEY				NO KEY		KEY						
			NOT RIBBED	TOOLED	NOT RIBBED	TOOLED		TOOLED		TOOLED	NOT RIBBED	TOOLED	NOT RIBBED	TOOLED			
4	4	2	9500I-244I	X	9500I-2442							9500I-844I	X				
6	4	2	9500I-264I	X	9500I-2642							9500I-864I	X				
6	6	2	9500I-266I	X	9500I-2662							9500I-866I	X				
8	4	2	9500I-284I		9500I-2842												
8	6	2	9500I-286I	X	9500I-2862												
8	8	2	9500I-288I	X	9500I-2882	X						9500I-888I	X				

EC NO: MG2005-0106 2004/10/12 DRAWN: MARTIN 2004/10/12 CHKD: FCARABET 2004/10/13 APPR: KNOLLER	QUALITY SYMBOLS	GENERAL TOLERANCES (UNLESS SPECIFIED)		DIMENSION STYLE MM ONLY		SCALE ---	DESIGN UNITS METRIC	THIRD ANGLE PROJECTION	
	$\nabla=0$ $\sphericalangle=0$	4 PLACES	± ---	± ---	mm	INCH	DRAWN BY DP	DATE 1989/06/01	TITLE LOW PROFILE R/A JACK STANDARD AND SMT VERSION STANDARD OPEN TRAY VERS
		3 PLACES	± ---	± ---			CHECKED BY FB	DATE 1989/06/01	MOLEX INCORPORATED DOCUMENT NO. SDA-95001 SHEET NO. 4 OF 9
		2 PLACES	± ---	± ---			APPROVED BY JB	DATE 1989/06/01	
	1 PLACE	± ---	± ---			MATERIAL NO.			
	ANGULAR	± ---°				DRAFT WHERE APPLICABLE MUST REMAIN WITHIN DIMENSIONS		SEE CHART	