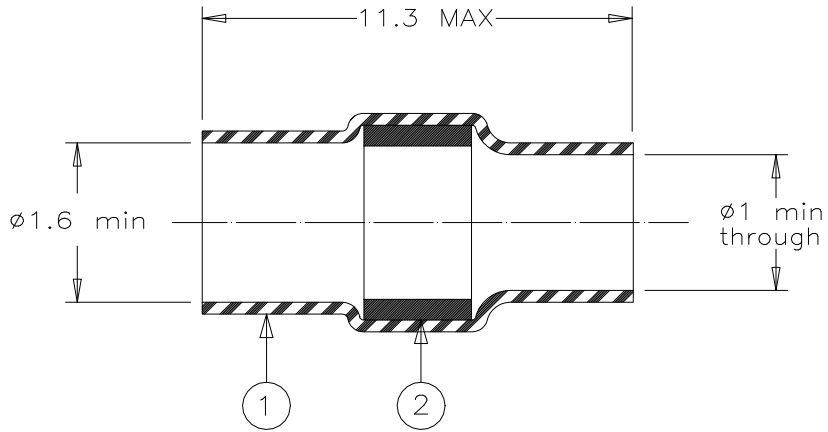


CUSTOMER DRAWING



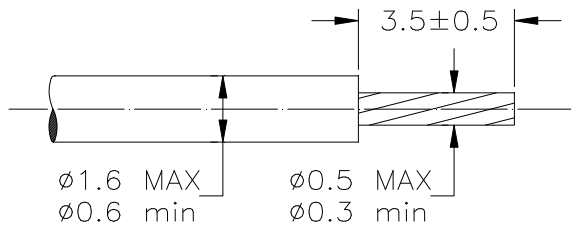
MATERIAL

1. INSULATION SLEEVE: Heat-shrinkable, radiation cross-linked modified polyvinylidene fluoride. Transparent blue.
2. SOLDER PREFORM WITH FLUX:
 SOLDER: TYPE Bi58 per ANSI J-STD-006.
 FLUX: TYPE ROM1 per ANSI J-STD-004.

APPLICATION

1. This controlled soldering device is designed for termination of a tin or silver plated copper stranded wire (AWG26 to AWG30) having an insulation rated for at least +125°C, on to a pin (□ 0.5).
2. Temperature range: -55°C to +125°C.
3. For application tooling, consult your local TE CONNECTIVITY technical service.

For best results, prepare the cable as shown:



*A trademark of Raychem Corporation.

TE Connectivity		Raychem Devices	TITLE: SOLDERSLEEVE* DEVICE			
UNLESS OTHERWISE SPECIFIED DIMENSIONS ARE IN MILLIMETERS.			DOCUMENT NO.: W-040-01-LF			
TOLERANCES: 0.00 N/A 0.0 N/A 0 N/A	ANGLES: N/A ROUGHNESS IN MICRON	Raychem reserves the right to amend this drawing at any time. Users should evaluate the suitability of the product for their application.				
DRAWN BY: T. NGUYEN	DATE: 07-31-2013	REV.: A	ECO: 13-012303	SCALE: NONE	SIZE: A	SHEET: 1 of 1

© 2013 Tyco Electronics Corporation. All rights reserved.

If this document is printed it becomes uncontrolled. Check for the latest revision