

# POWERSTRIP™/30 CABLE ASSEMBLY

## SPECIFICATIONS

For complete specifications see [www.samtec.com?MPSS](http://www.samtec.com?MPSS)

**Insulator Material:**

Nylon 6/6

**Contact Material:**

Copper Alloy

**Plating:**

Au or Sn over  
50 μ" (1.27 μm) Ni

**Latch:**

Nylon 6/6

**Operating Temp Range:**

-30 °C to +105 °C

**Voltage Rating:**

600 VAC/848 VDC

**Wire:**

14 or 16 AWG

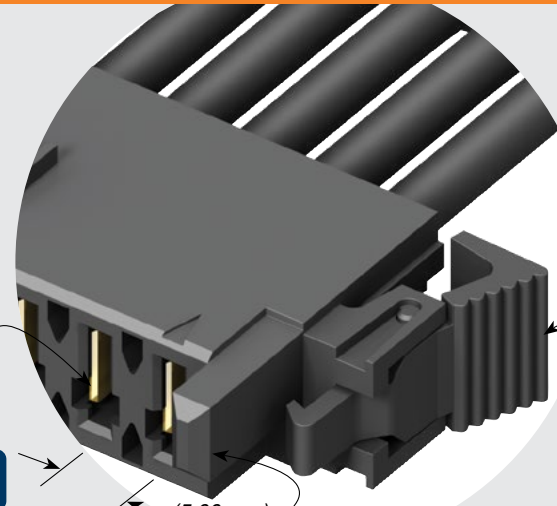
**RoHS Compliant:**

Yes

**Mates with:**

MPT

MPSS/MPT-V	
WIRE GAUGE	CURRENT RATING (PER PIN)
14 AWG	19.7 A
16 AWG	15.9 A
1 PIN POWERED	



Dual leaf blade contacts

Positive latching system

**RUGGEDIZED**  
BY SAMTEC

• Positive latching

(5.00 mm)  
.1969"  
pitch

Polarized Guide Posts

## RECOGNITIONS

For complete scope of recognitions see [www.samtec.com/quality](http://www.samtec.com/quality)



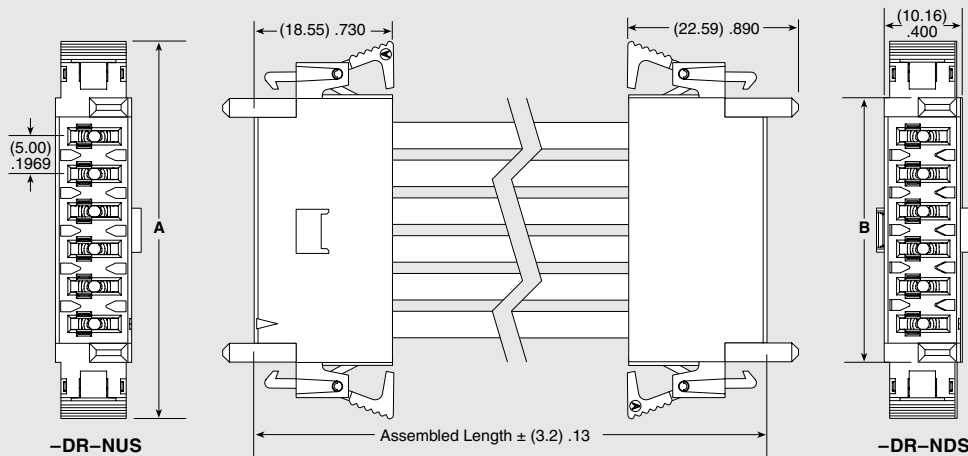
## COMPONENTS

- For body, see [www.samtec.com?IMS5](http://www.samtec.com?IMS5)
- For contacts, see [www.samtec.com?CC46L](http://www.samtec.com?CC46L)  
[www.samtec.com?CC46R](http://www.samtec.com?CC46R)

MPSS	NO. OF POSITIONS	WIRE GAUGE	PLATING OPTION	ASSEMBLED LENGTH	END 1 OPTION	END 2 OPTION
	-02, -03, -04, -06, -08	-14 -16	-L = 10 μ" (0.25 μm) Gold on contact -T = Matte Tin	- "XX.XX" = Wire Length in Inches (83.00 mm) 03.25" min.	-SR = Single End -DR = Double End	(Available with -DR only) -NUS = Notch up, straight -NDS = Notch down, straight

NO. OF POSITIONS	A	B
-02	(30.07) 1.184	(15.27) .601
-03	(35.07) 1.381	(20.26) .798
-04	(40.08) 1.578	(25.25) .994
-06	(50.09) 1.972	(35.26) 1.388
-08	(60.10) 2.366	(45.26) 1.782



Due to technical progress, all designs, specifications and components are subject to change without notice.

[WWW.SAMTEC.COM](http://WWW.SAMTEC.COM)

All parts within this catalog are built to Samtec's specifications. Customer specific requirements must be approved by Samtec and identified in a Samtec customer-specific drawing to apply.