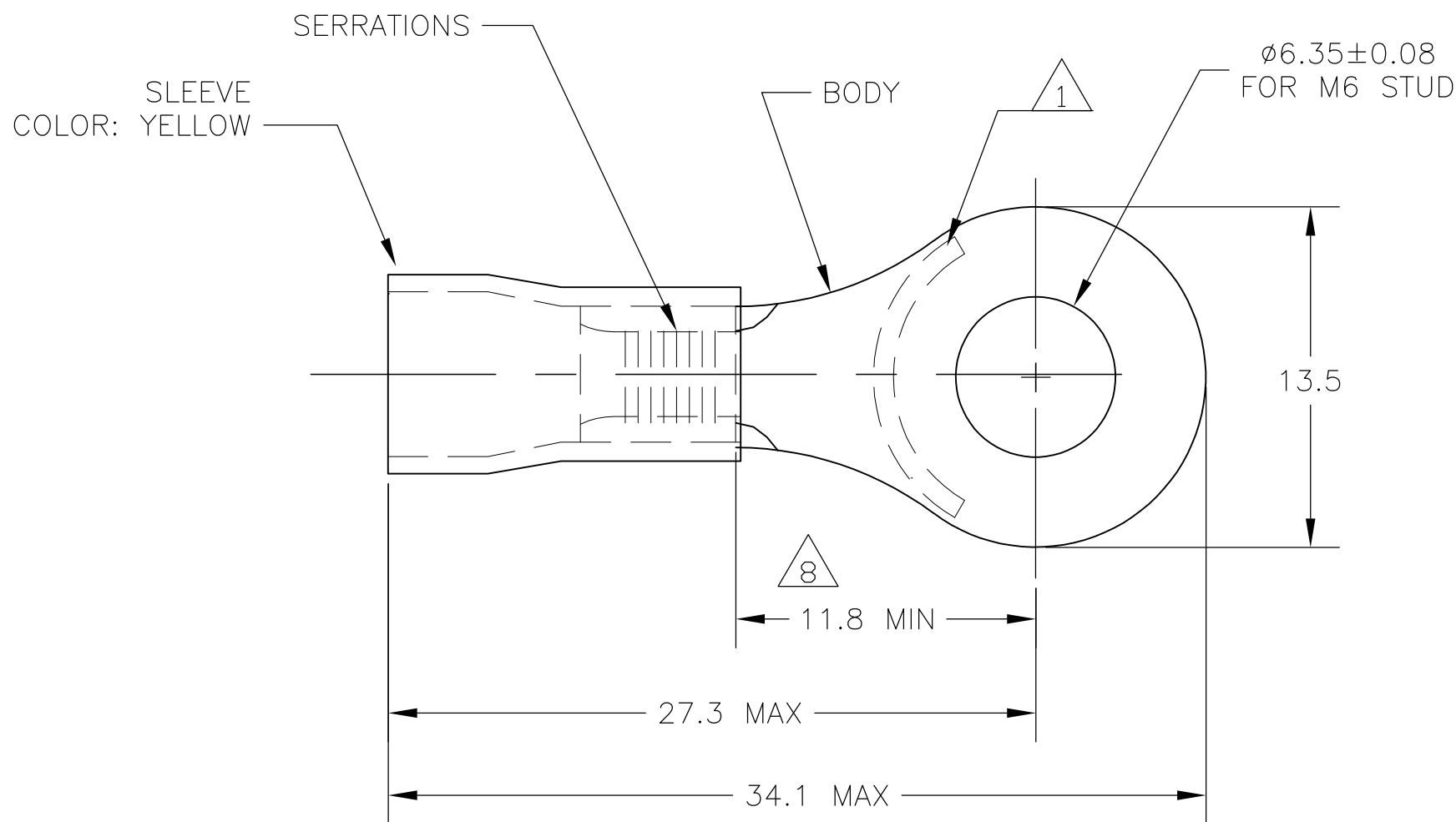


THIS DRAWING IS UNPUBLISHED. RELEASED FOR PUBLICATION  
 © COPYRIGHT BY TYCO ELECTRONICS CORPORATION. ALL RIGHTS RESERVED.

LOC	DIST	REVISIONS					
G	14	P	LTR	DESCRIPTION	DATE	DWN	APVD
		B		REV PER ECR 08-028314	19NOV08	JR	TM



- 1 STAMP "AMP 12-10\*", LOCATION APPROX AS SHOWN.
- 2 WIRE INSULATION DIA 3.8-6.4
- 3 OPERATING TEMPERATURE 90°C MAX
- 4 VOLTAGE RATING 600V MAX
- 5 CMA 2.62-6.64mm<sup>2</sup> [5,180-13,100]
- 6 MATERIAL:  
BODY - COPPER PER ASTM B-152  
INSULATION - PVC
- 7 FINISH:  
BODY - TIN PL PER ASTM B-545  
INSULATION - COLOR-YELLOW
- 8 APPLIES FROM EDGE OF METAL WIRE BARREL TO CENTER OF STUD HOLE.
- 9 MATERIAL THICKNESS IS 1.00±0.05

LOOSE PIECE	160294
PACKAGE TYPE	PART NO

THIS DRAWING IS A CONTROLLED DOCUMENT.		DWN jr_ruth 19NOV08	Tyco Electronics Corporation Harrisburg, PA 17105-3608			
DIMENSIONS: MM <del>INCHES</del>		CHK T MICHELUTTI 19NOV08				
TOLERANCES UNLESS OTHERWISE SPECIFIED: 0 PLC ± - 1 PLC ± - 2 PLC ± 0.20 3 PLC ± - 4 PLC ± - ANGLES ± 5°		APVD T MICHELUTTI 19NOV08	NAME			
		PRODUCT SPEC	TERMINAL RING TONGUE, PLASTI-GRIP, WIRE SIZE 12:10			
MATERIAL		APPLICATION SPEC	SIZE	CAGE CODE	DRAWING NO	RESTRICTED TO
-		FINISH	A3 00779 C-160294		-	
CUSTOMER DRAWING			SCALE	SHEET	REV	
			4:1	1 OF 1	B	